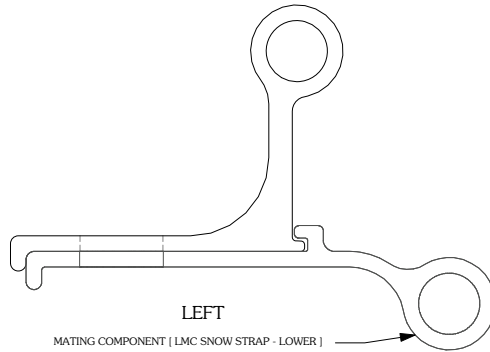
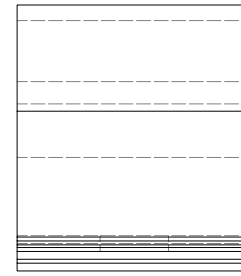


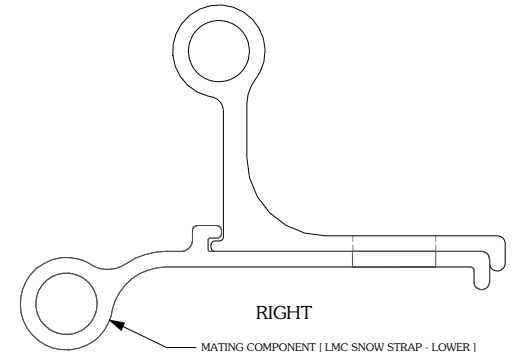
BACK



LEFT



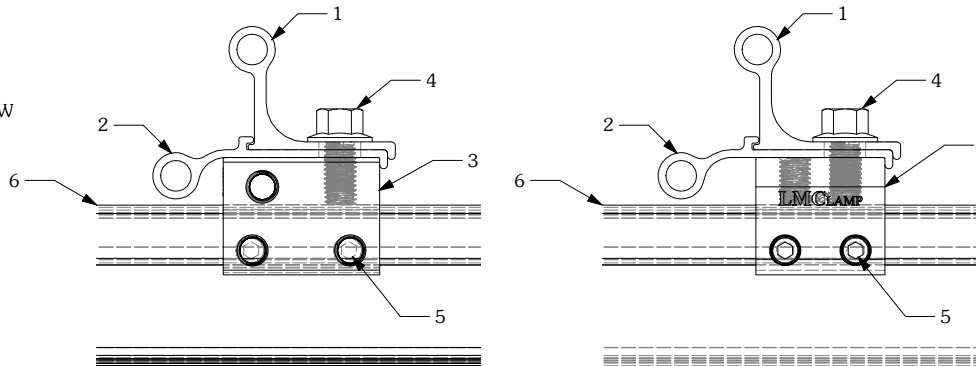
FRONT



RIGHT

Notes

1. LMC SNOW STRAP - UPPER
2. LMC SNOW STRAP - LOWER
3. S-5-U CLAMP
4. M10-1.5 HEX FLANGE BOLT
5. 3/8-24 X .8\"/>



MATERIAL: 6061 T6	LMCURBS 827 Fisher Road Longview, TX 75604 800-284-1412 903-759-3598 (Fax) www.lmcuibs.com		
EST ASSEMBLY WEIGHT :	TITLE LMC Snow Strap - Upper		
SUPPLIED HARDWARE:	DRAWING NO.	DRAWN BY	DATE
SCALE:	OTHER:		
REV - 043014	Copyright 2014, LMCURBS		