

S-5!

Unprecedented Innovation
Unmatched Quality
Unbelievable Price



S-5-K



S-5-R

S-5-K and S-5-R Clamps

The S-5-K and S-5-R Clamps

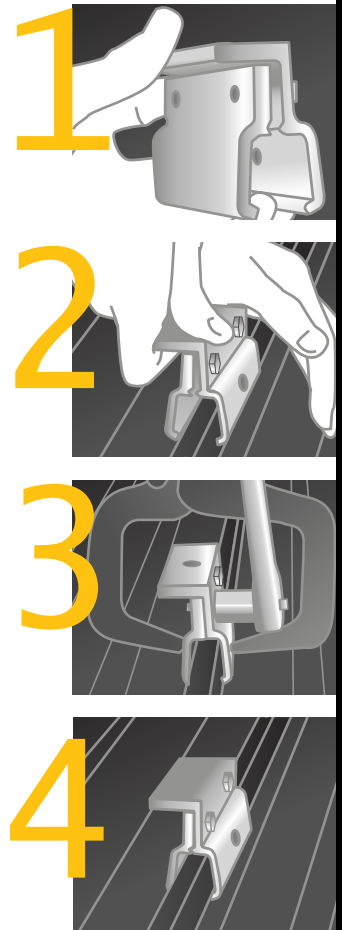
The S-5-K clamp is designed for use on Klip-Rib®, Klip-Lok® and roofing types with similar profiles. It is most often placed on the lapped rib, but with a supplemental screw fastener can also be used at intermediate ribs.

The S-5-R clamp was specifically designed for those profiles manufactured by Rib Roof® and roofing types with similar profiles.

These clamps can be installed with or without a supplemental sheet metal screw, providing truly unsurpassed holding power. When using the clamps for snow retention, the assembly should be specifically engineered to each individual project for maximum protection. See www.S-5.com for full details.

Installation is as simple as mating the clamp halves and starting the M8 bolts. Position clamp on seam and tighten the M8 bolt with a ratchet or electric tool while securing the clamp with a locking C-clamp.

The S-5-K and S-5-R clamps were designed to address the unique needs of these very distinctive profiles.



Attach almost **anything** to standing seam metal roofs without piercing the panel!

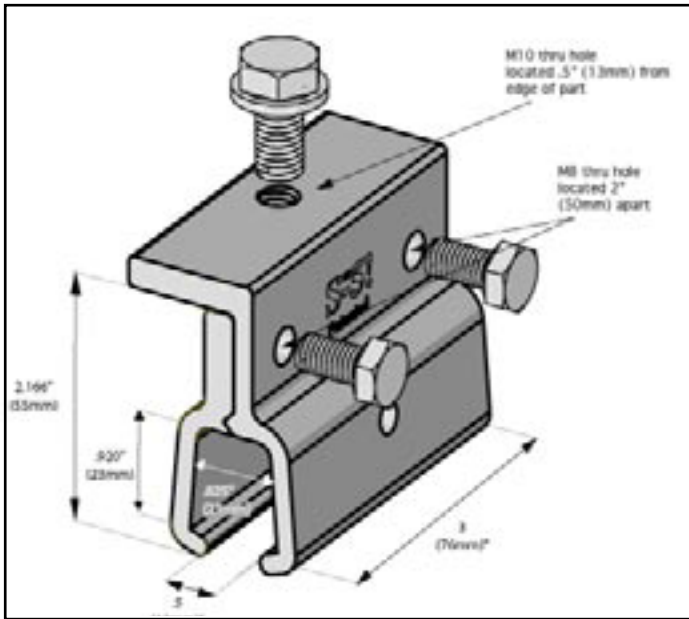
800-284-1412

www.lmcurbs.com

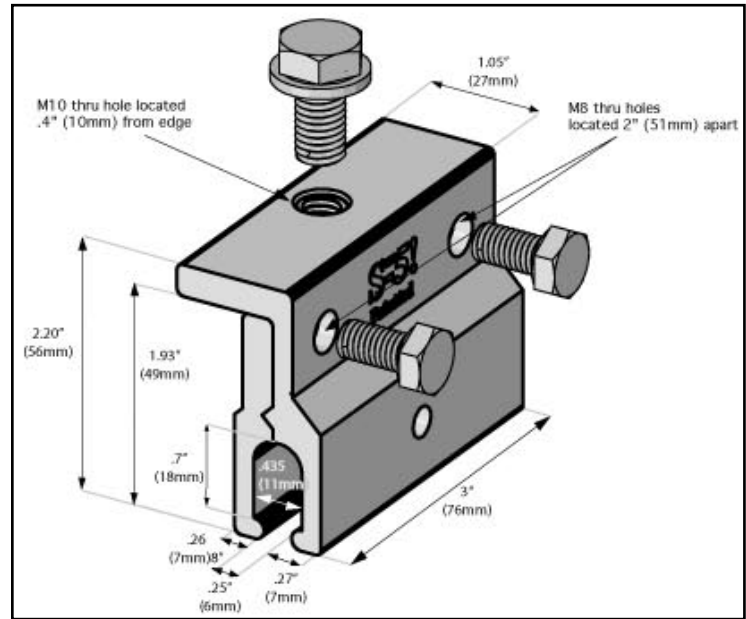
S-5!

Unprecedented Innovation
Unmatched Quality
Unbelievable Price

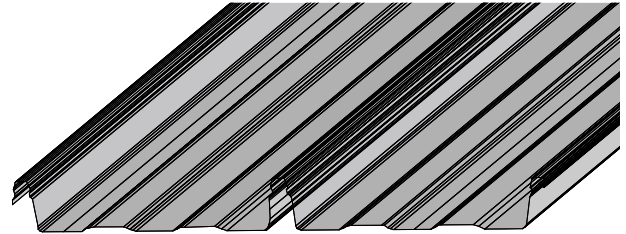
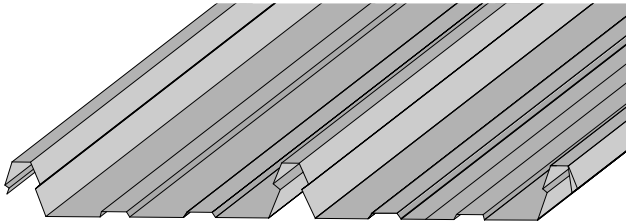
S-5-K



S-5-R



Example Profiles

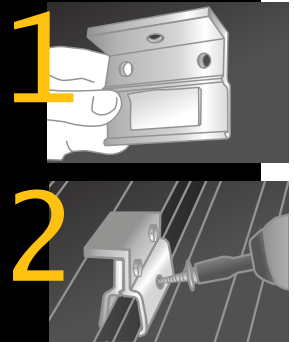


The S-5-K and S-5-R clamps are each furnished with the hardware shown above. A structural aluminum attachment clamp, the S-5-K and S-5-R is compatible with most common metal roofing materials excluding copper. All included hardware is stainless steel. Please visit www.S-5.com for more information including CAD details, metallurgical compatibilities and specifications.

The S-5-K and S-5-R clamps have been tested for load-to-failure results on a variety of relevant profiles from leading manufacturers of panels. The independent lab test reports found on our website at www.S-5.com prove that S-5!™ holding strength is unmatched in the industry.

Optional sheet metal screw applications

Prior to mating the clamp halves, place a piece of 3/4" x 1/8" thick butyl tape on the inside of the flanged clamp wall, covering the lower hole as shown. Once clamp is in place and M8 bolts have been tightened, fasten clamp to seam using a sheet 1/4-14" tek-1 (lap-tek) screw through the pre-punched hole. Doing this increases the holding strength by approximately 500%.



S-5!™ Warning! Please use this product responsibly!

Products are protected by multiple U.S. and foreign patents. For maximum holding strength, bolts should be tensioned to the recommended torque. For published data regarding holding strength, bolt torque, patents and trademarks visit the S-5!™ website at www.S-5.com.

Copyright 2008, Metal Roof Innovations, Ltd. S-5!™ products are patented by Metal Roof Innovations, Ltd.

LMCURBS® 

P: 800-284-1412

F: 903-759-3598

W: www.lmcurbs.com