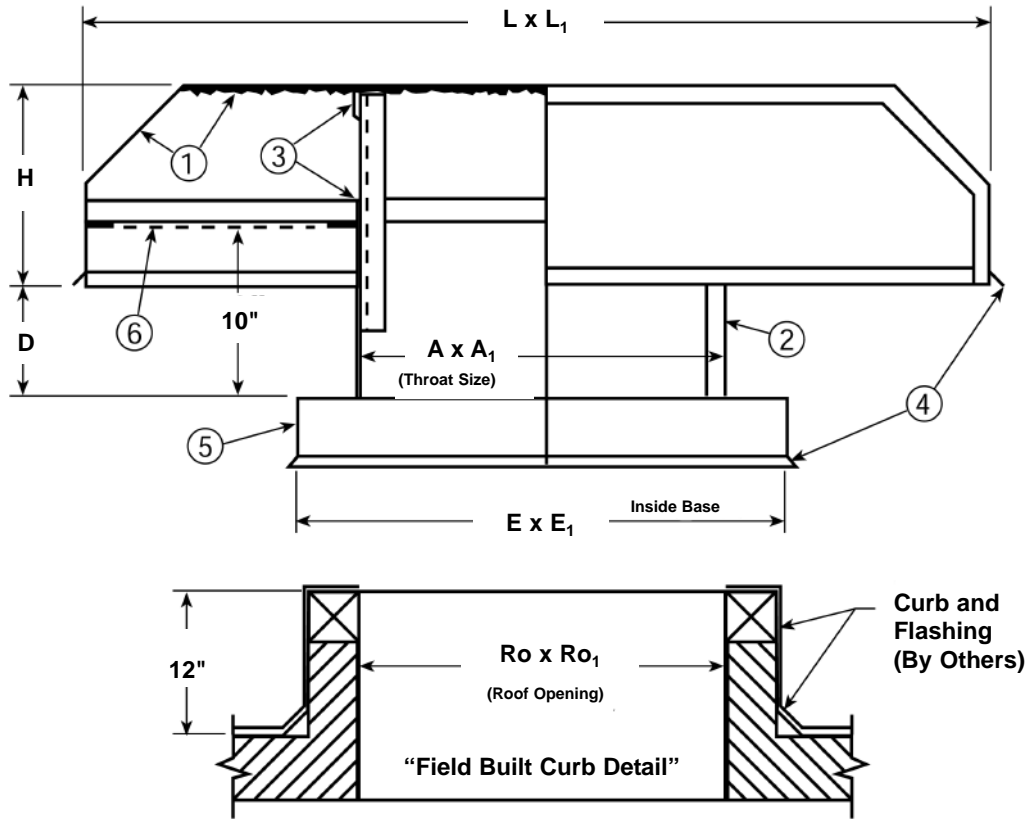


Airette Gravity Intake & Relief Type 5 Arrangement




Legend

1. Weather Hood (Pan break top for drainage)
2. Air Shaft
3. Structural Hood Supports (withstands 30 lb. per sq. ft. snow load)
4. Baffle Edges (directs water away)
5. All Welded Curb Cap
6. Bird Screen (1/2" mesh, 19 ga. galvanized steel fastened to hood)

NOTES:

1. CFM DATA REQUIRED TO PROVIDE PROPER INTAKE VELOCITY.
2. Outside dimensions of curb should be 1 1/2" LESS THAN 'E' DIMENSION.
3. Installing contractors should secure mounting base to roof curbs with lag bolts and washers or other proper fasteners 12" O.C. When hoods are removed from airshafts during erection, installation contractors are cautioned to reset hoods properly with all fasteners drawn fully tight in areas subjected to high winds. It is recommended that large units be guyed down.

 <p>PENNBARRY™ 1401 North Plano Road, Richardson, TX 75081 Ph: 972.234.3202 Fax: 972.497.0468 www.PennBarry.com</p>	<h2 style="margin: 0;">Submittal Sheet</h2> <h3 style="margin: 0;">Airette Gravity</h3> <h4 style="margin: 0;">Roof Mounted Fresh Air Intake or Relief Ventilators</h4>
---	---

This drawing illustrates our understanding of order requirements. When approved, it represents details for fabrication, as such, PennBarry will not be responsible for revisions in the field or other changes after release for fabrication. Published and protected by PennBarry, Richardson, TX. All rights reserved. May not be reproduced partially or in full without permission from the publisher. No rights conveyed to manufacture partially or in full, use or sell either the method of construction represented or any invention in any way related thereto.