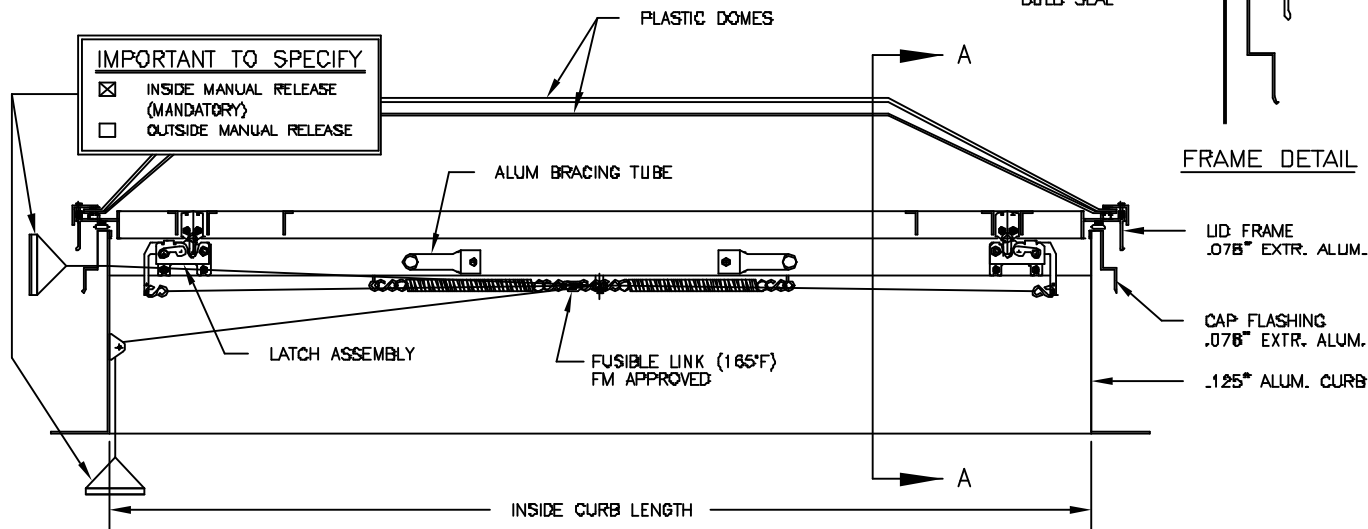
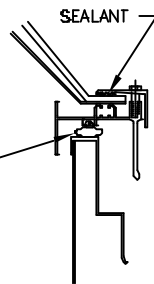


SECTION A-A
SCALE: EIGHTH SIZE



SECTION B-B
SCALE: EIGHTH SIZE



FRAME DETAIL

ORDER #	_____	DATE	_____
PROJECT	_____		
CUSTOMER	_____		
ARCHITECT	_____		
REPRESENTATIVE	_____		

FINISH	MIL (STD.)	<input checked="" type="checkbox"/>
ACRYLIC GLAZING MATERIALS		
	OUTER	INNER
CLEAR	<input type="checkbox"/>	<input type="checkbox"/>
TRANSLUCENT WHITE	<input type="checkbox"/>	<input type="checkbox"/>
OTHER	<input type="checkbox"/>	<input type="checkbox"/>

FACTORY MUTUAL APPROVED			
STOCK NUMBER	INSIDE CURB DIMENSIONS		QTY.
	WIDTH	LENGTH	
FMD 6767	60	X 60	
FMD 6778	60	X 72	
FMD 6796	60	X 90	
FMD 67102	60	X 96	
FMD 7878	72	X 72	
FMD 78102	72	X 96	
FMD 78108	72	X 102	

FACTORY MUTUAL APPROVED			
STOCK NUMBER	INSIDE CURB DIMENSIONS		QTY.
	WIDTH	LENGTH	
FMD 6767	60	X 60	
FMD 6778	60	X 72	
FMD 6796	60	X 90	
FMD 67102	60	X 96	
FMD 7878	72	X 72	
FMD 78102	72	X 96	
FMD 78108	72	X 102	

UNIT DESIGNED TO OPEN AGAINST A 10 PSF SNOW LOAD.

MODEL: FMD or FMDD
F. M. APPROVED FIRE VENT
DOUBLE LEAF
PLASTIC LIDS

NATURALITE
SKYLIGHT SYSTEMS
750 AIRPORT ROAD • TERRELL, TX 75160 • 972-581-8400