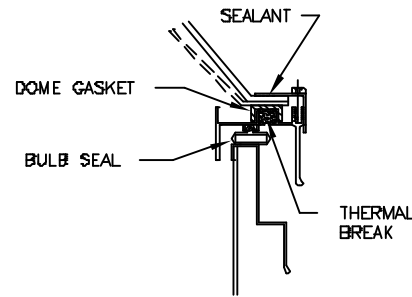


SECTION A-A
SCALE: EIGHTH SIZE

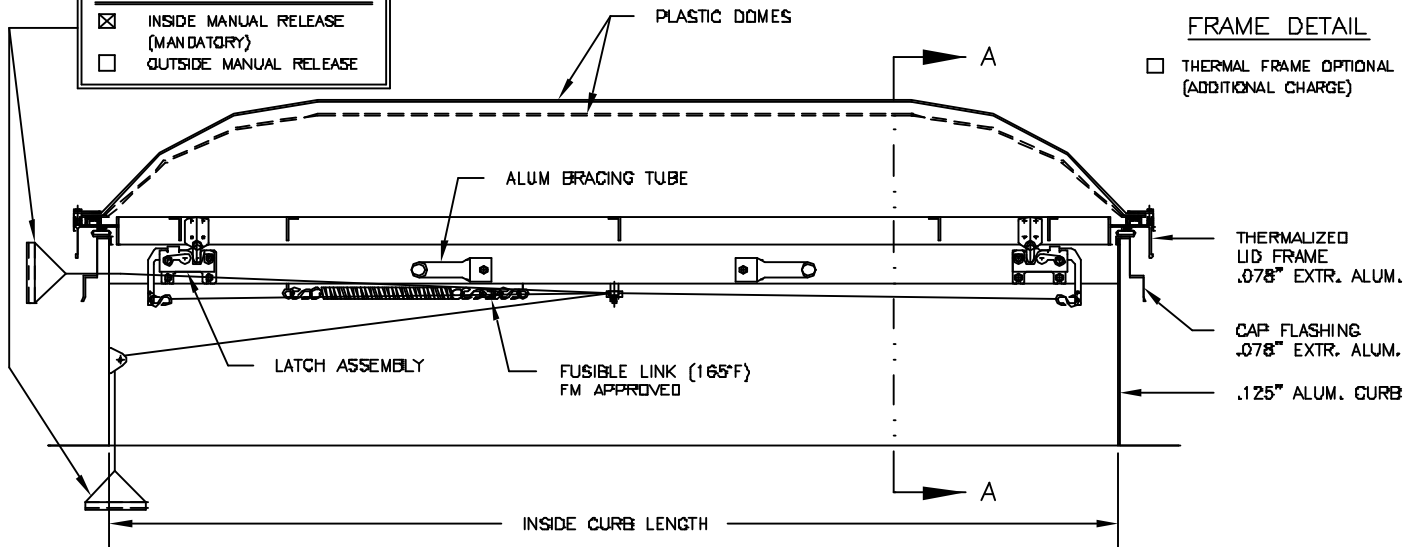


FRAME DETAIL

THERMAL FRAME OPTIONAL
(ADDITIONAL CHARGE)

IMPORTANT TO SPECIFY

- INSIDE MANUAL RELEASE (MANDATORY)
- OUTSIDE MANUAL RELEASE



SECTION B-B
SCALE: EIGHTH SIZE

ORDER # _____ DATE _____
 PROJECT _____
 CUSTOMER _____
 ARCHITECT _____
 REPRESENTATIVE _____

FINISH MILL (STD.)

ACRYLIC GLAZING MATERIALS

	OUTER	INNER
CLEAR	<input type="checkbox"/>	<input type="checkbox"/>
TRANSLUCENT WHITE	<input type="checkbox"/>	<input type="checkbox"/>

FACTORY MUTUAL APPROVED

STOCK NUMBER	INSIDE CURB DIMENSIONS		QTY.
	WIDTH	LENGTH	
FMDHL 55102	48	96	

FACTORY MUTUAL APPROVED

STOCK NUMBER	INSIDE CURB DIMENSIONS		QTY.
	WIDTH	LENGTH	
FMDHL 55102	48	96	

NOTES:

UNIT DESIGNED TO OPEN AGAINST A 40 PSF SNOW LOAD.

MODEL: FMDHL or FMDHL

F. M. APPROVED FIRE VENT
 DOUBLE LEAF/HIGH LOAD
 PLASTIC LIDS

NATURALITE
 SKYLIGHT SYSTEMS
 750 AIRPORT ROAD • TERRELL, TX 75102 • 872-561-6402