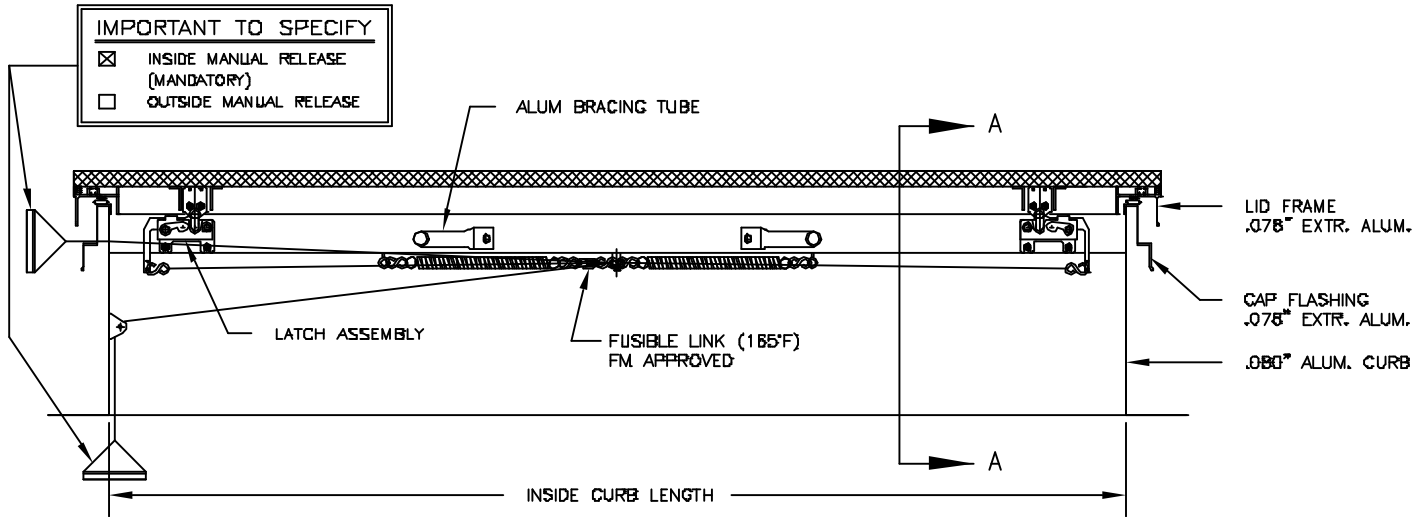


SECTION A-A
SCALE: EIGHTH SIZE



SECTION B-B
SCALE: EIGHTH SIZE

ORDER # _____ DATE _____
 PROJECT _____
 CUSTOMER _____
 ARCHITECT _____
 REPRESENTATIVE _____

FINISH _____ MILL (STD.)

FACTORY MUTUAL APPROVED			
STOCK NUMBER	INSIDE CURB DIMENSIONS		QTY.
	WIDTH	LENGTH	
FMV 5555	48	X 48	
FMV 5566	48	X 60	
FMV 5578	48	X 72	
FMV 5596	48	X 90	
FMV 55102	48	X 96	

NOTES:

UNIT DESIGNED TO OPEN AGAINST A 10 PSF SNOW LOAD.

MODEL: FMV

F. M. APPROVED FIRE VENT
 DOUBLE LEAF
 INSULATED METAL LIDS

NATURALITE
 SKYLIGHT SYSTEMS
 750 AIRPORT ROAD • TERRELL, TX 75160 • 872-561-8400