



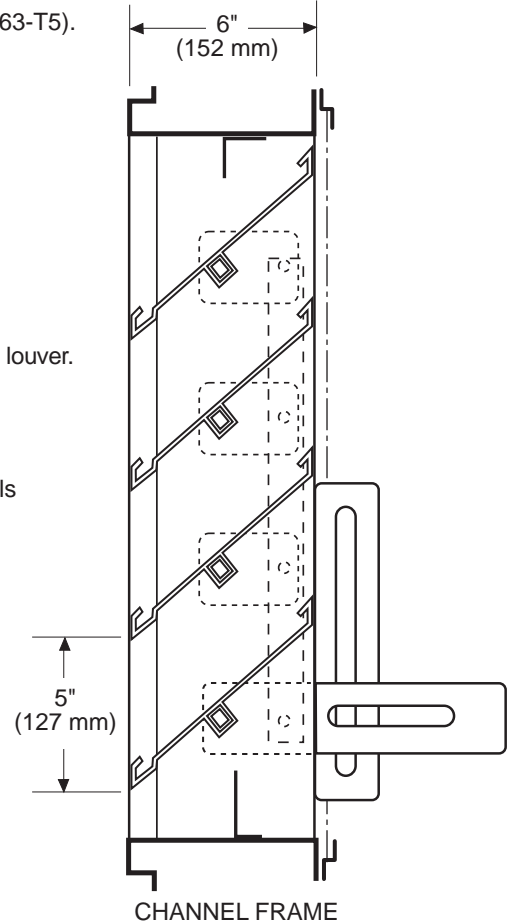
MODEL A-XAD-6
EXTRUDED ADJUSTABLE LOUVER
DRAINABLE BLADE

Standard Construction:

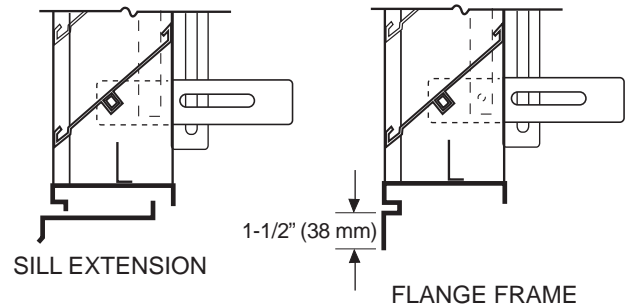
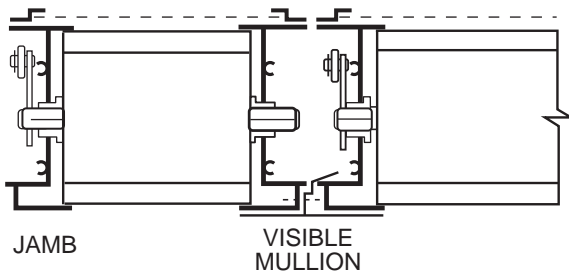
- Frame:** 6" x .081 (152 mm x 2.1 mm) extruded aluminum (6063-T5).
- Blades:** .081 (2.1 mm) extruded aluminum (6063-T5), approximately 5" (127 mm) on centers.
- Blade Angle:** 37.5°
- Bearings:** Permanently lubricated oilite bronze, press fit into frame.
- Axles:** 3/8" (9.5 mm) square plated steel.
- Linkage:** Plated steel.
- Operator:** Wing nut slide bracket.
- Screen:** Bird screen - 3/4" x .050 (19 mm x 12.7 mm) flattened expanded aluminum in a removable frame on interior of louver.
- Finish:** Mill aluminum.
- Minimum Section Size:** 12"w x 12"h (25.4 mm x 25.4 mm)
- Maximum Section Size:** 48"w x 72"h (1219 mm x 1829 mm) with jamb seals
 60"w x 96"h (1524 mm x 2438 mm) without jamb seals

Options

- Screens:** Insect screen - 18 x 16 mesh aluminum
 Other - _____
- Blade Seals:** Extruded vinyl
- Jamb Seals:** Flexible Stainless steel
- Finish:** Prime Coat
 Baked Enamel
 Clear Anodize - 204-R1 and 215-R1
 Integral Color Anodize
 Kynar 500 Enamel
 Other - _____
- Sill Extensions:**
 - Flange:** 1-1/2" (38 mm) (front or rear)
 - Frame:** .125 (3.2 MM) Extruded Aluminum
- Other Operator** - _____



AXAD6 - 7-00



Specifications are correct at time of printing. However, as part of our 'continuous improvement program,' we reserve the right to make further improvements without notice.
 © JULY, 2000 NCA Manufacturing

Project:	Contractor:
Location:	Address:
Architect:	P.O. Number:
Engineer:	Date: