



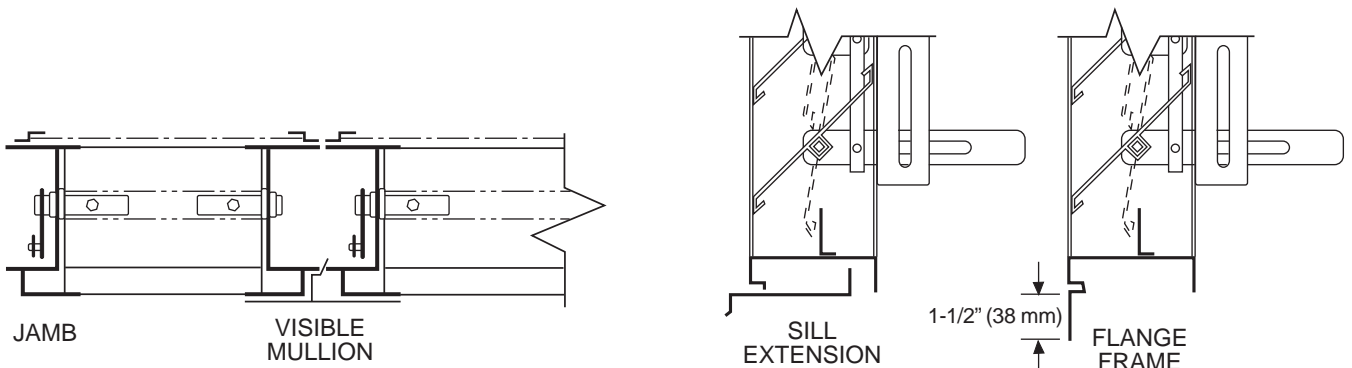
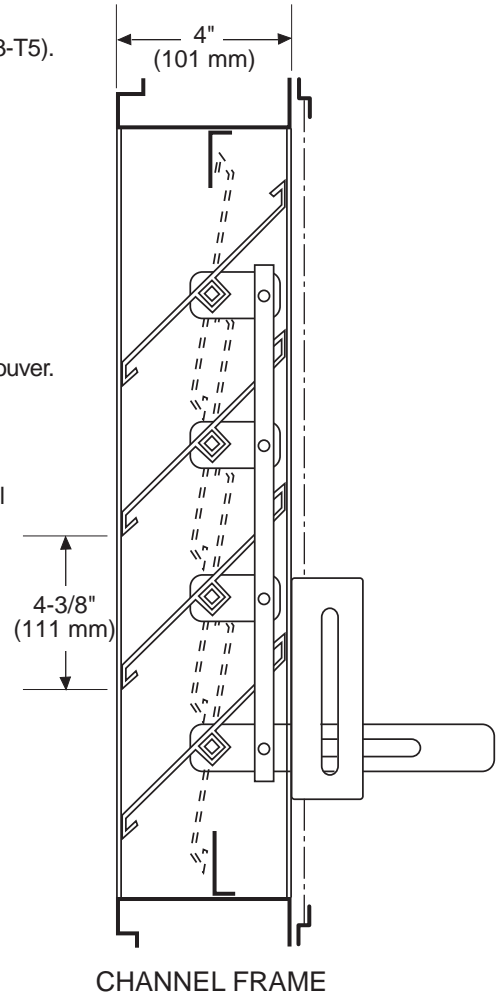
# MODEL A-XAJ-4 EXTRUDED ADJUSTABLE LOUVER

## Standard Construction:

- Frame:** 4" x .081 (101 mm x 2.1 mm) extruded aluminum (6063-T5).
- Blades:** .081 (2.1 mm) extruded aluminum (6063-T5), approximately 4-3/8" (111 mm) on centers.
- Blade Angle:** 45°
- Bearings:** Permanently lubricated oilite bronze, press fit into frame.
- Axles:** 3/8 (9.5 mm) square plated steel.
- Linkage:** Plated steel.
- Operator:** Wing nut slide bracket.
- Screen:** Bird screen - 3/4" x .050 (19 mm x 12.7 mm) flattened expanded aluminum in a removable frame on interior of louver.
- Finish:** Mill aluminum.
- Minimum Section Size:** 12"w x 12"h (25.4 mm x 25.4 mm)
- Maximum Section Size:** 48"w x 72"h (1219 mm x 1829 mm) with Jamb Seal  
60"w x 96"h (1524 mm x 2438 mm) without Jamb Seal

## Options

- Screens:** Insect screen - 18 x 16 mesh aluminum  
Other - \_\_\_\_\_
- Blade Seals:** Extruded vinyl
- Jamb Seals:** Flexible Stainless Steel
- Finish:** Prime Coat  
Baked Enamel  
Clear Anodize - 204-R1 and 215-R1  
Integral Color Anodize  
Kynar 500 Enamel  
Other - \_\_\_\_\_
- Sill Extensions:**
  - Flange:** 1-1/2" (38 mm) (front or rear)
  - Frame:** .125 (3.2 mm) Extruded Aluminum
- Other Operator -** \_\_\_\_\_



AXAJ4 - 7-00

Specifications are correct at time of printing. However, as part of our 'continuous improvement program,' we reserve the right to make further improvements without notice.  
© JULY, 2000 NCA Manufacturing

Project:	Contractor:
Location:	Address:
Architect:	P.O. Number:
Engineer:	Date: