



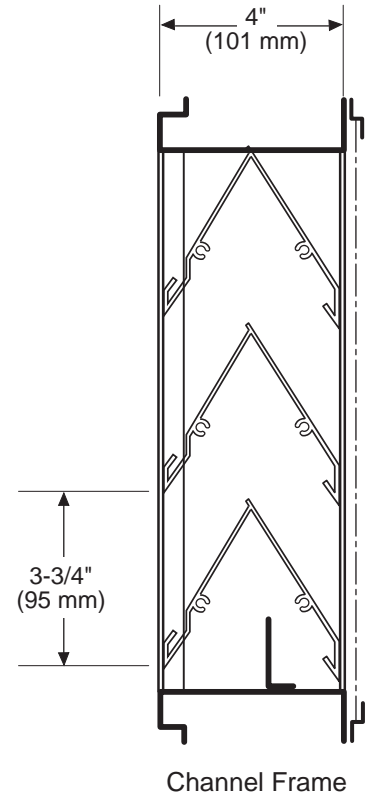
# MODEL XADV-4 EXTRUDED STATIONARY LOUVER SIGHTPROOF DRAINABLE BLADE

## Standard Construction:

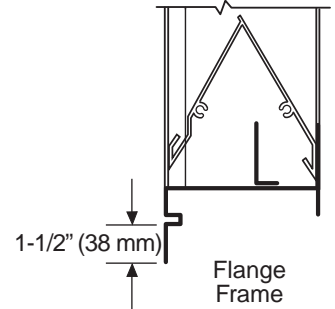
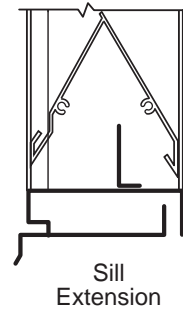
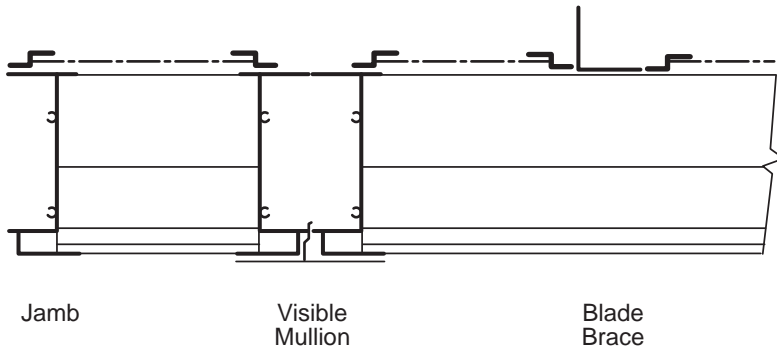
- Frame:** 4" x .081 (101 mm x 2.1 mm) extruded aluminum (6063-T5 alloy).
- Blades:** .081 (2.1 mm) extruded aluminum (6063-T5 alloy), approx. 3-3/4" (95 mm) on centers.
- Blade Angle:** 60°
- Screen:** Bird screen - 3/4" x .050 (19 mm x 12.7 mm) flattened expanded aluminum in a removable frame on interior of louver.
- Finish:** Mill aluminum.
- Minimum Size:** 8"w x 12"h (203 mm x 304 mm)

## Options:

- Screens:** Insect screen - 18 x 16 mesh aluminum  
Other - \_\_\_\_\_
- Finish:** Prime Coat  
Baked Enamel  
Kynar  
Clear Anodize - 204-R1 and 215-R1  
Integral Color Anodize  
Other - \_\_\_\_\_
- Sill Extensions:**
- Flange:** 1-1/2" (38 mm) (front or rear)
- Notes:** Louvers fabricated 1/4" (6.4 mm) under opening size unless otherwise noted.



XADV4 - 7-00



Specifications are correct at time of printing. However, as part of our 'continuous improvement program,' we reserve the right to make further improvements without notice.

© JULY, 2000 NCA Manufacturing

Project:  
Location:  
Architect:  
Engineer:

Contractor:  
Address:  
P.O. Number:  
Date:



**MODEL XADV-4**  
**FREE AREA CHART**  
 STATIONARY DRAINABLE / VISIONPROOF BLADE  
 EXTRUDED ALUMINUM

© JULY, 2000 NCA Manufacturing

XADV-4 Free Area in Sq. Ft.

		Width – Inches														
		12	18	24	30	36	42	48	54	60	66	72	78	84	90	96
Height – Inches	12	.18	.30	.42	.54	.67	.79	.91	1.03	1.15	1.28	1.40	1.52	1.64	1.76	1.88
	18	.31	.52	.73	.94	1.16	1.37	1.58	1.79	2.00	2.21	2.43	2.64	2.85	3.06	3.27
	24	.44	.75	1.05	1.36	1.66	1.97	2.27	2.58	2.88	3.19	3.49	3.80	4.10	4.41	4.71
	30	.62	1.05	1.47	1.90	2.32	2.75	3.18	3.60	4.03	4.45	4.88	5.31	5.73	6.16	6.58
	36	.71	1.20	1.69	2.17	2.66	3.15	3.64	4.12	4.61	5.10	5.59	6.08	6.56	7.05	7.54
	42	.89	1.50	2.11	2.72	3.33	3.94	4.55	5.16	5.77	6.38	6.98	7.59	8.20	8.81	9.42
	48	1.02	1.72	2.42	3.12	3.82	4.52	5.22	5.92	6.62	7.32	8.01	8.71	9.41	10.11	10.81
	54	1.16	1.95	2.74	3.53	4.33	5.12	5.91	6.70	7.50	8.29	9.08	9.87	10.67	11.46	12.25
	60	1.33	2.25	3.16	4.07	4.99	5.90	6.81	7.73	8.64	9.55	10.47	11.38	12.30	13.21	14.12
	66	1.42	2.40	3.37	4.35	5.32	6.30	7.27	8.25	9.23	10.20	11.18	12.15	13.13	14.10	15.08
	72	1.60	2.70	3.79	4.89	5.99	7.09	8.18	9.28	10.38	11.48	12.57	13.67	14.77	15.86	16.96
	78	1.73	2.92	4.11	5.29	6.48	7.67	8.85	10.04	11.23	12.42	13.60	14.79	15.98	17.16	18.35
	84	1.87	3.15	4.43	5.71	6.99	8.27	9.55	10.83	12.11	13.39	14.67	15.95	17.23	18.51	19.79
	90	2.04	3.44	4.85	6.25	7.65	9.05	10.45	11.85	13.25	14.65	16.06	17.46	18.86	20.26	21.66
96	2.13	3.60	5.06	6.52	7.99	9.45	10.91	12.37	13.84	15.30	16.76	18.23	19.69	21.15	22.62	