



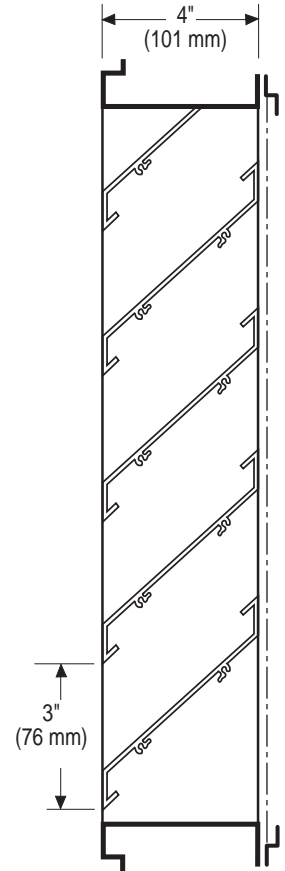
MODEL XAJ-4-375
EXTRUDED STATIONARY LOUVER
STRAIGHT BLADE

Standard Construction:

- Frame:** 4" x .081 (101 mm x 2.1 mm) extruded aluminum (6063-T5).
- Blades:** .081 (2.1 mm) extruded aluminum (6063-T5), approximately 3" (76 mm) on centers.
- Blade Angle:** 37.5°
- Screen:** Bird screen - 3/4" x .050 (19 mm x 12.7 mm) flattened expanded aluminum in a removable frame on interior of louver.
- Finish:** Mill aluminum.
- Minimum Size:** 8"w x 10"h (203 mm x 254 mm)

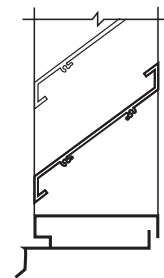
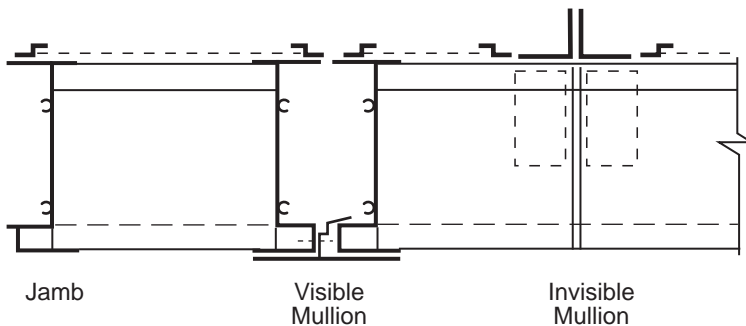
Options:

- Screens:** Insect screen - 18 x 16 mesh aluminum
Other - _____
- Finish:** Prime Coat
Baked Enamel
Clear Anodize - 204-R1 and 215-R1
Integral Color Anodize
Kynar 500 Enamel
Other - _____
- Sill Extensions:**
 - Flange:** 1-1/2" (38 mm) (front or rear)
 - Frame:** .125 (3.2 mm) Extruded Aluminum
- Notes:** Louvers fabricated 1/4" (6.4 mm) under opening size unless otherwise noted.

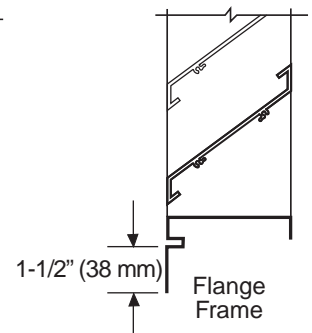


Channel Frame

XAJ-4-375 - 7-00



Sill Extension



Flange Frame

Specifications are correct at time of printing. However, as part of our 'continuous improvement program,' we reserve the right to make further improvements without notice.

© JULY, 2000 NCA Manufacturing

Project:	Contractor:
Location:	Address:
Architect:	P.O. Number:
Engineer:	Date: