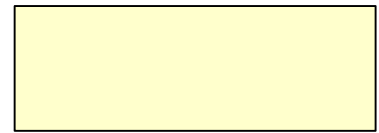
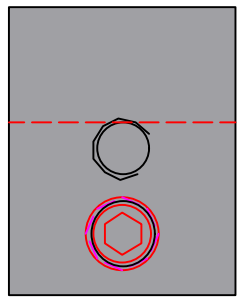


Solar Frame



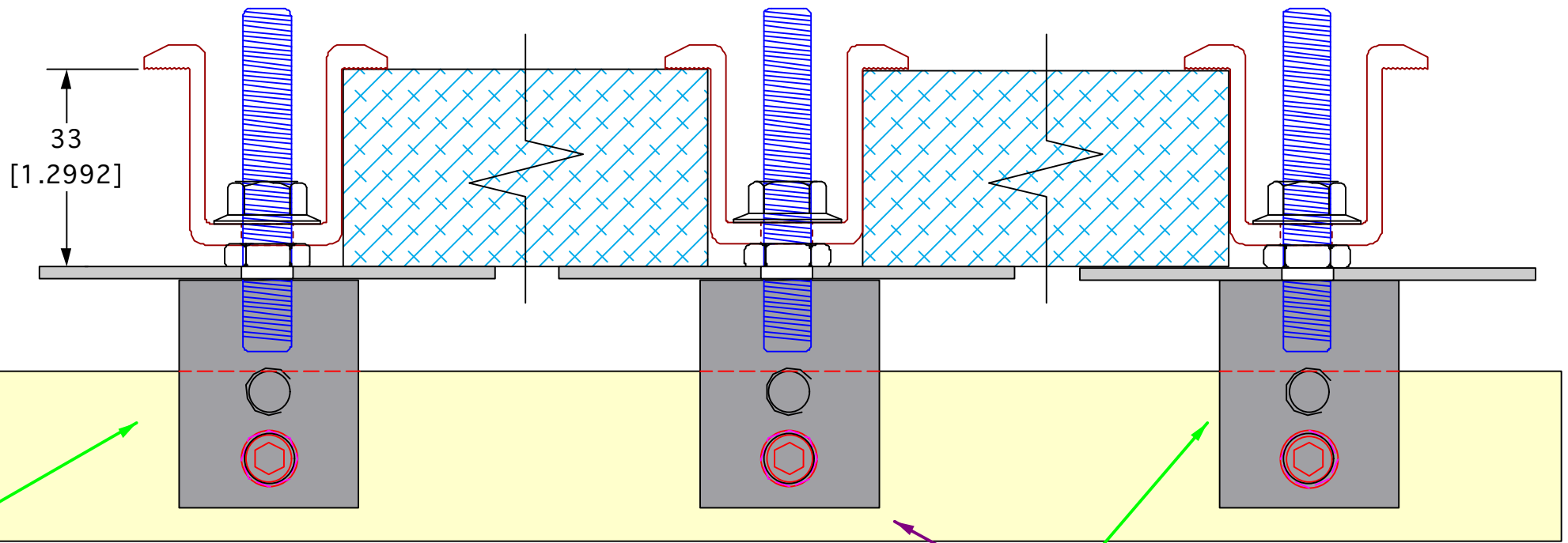
Standing Seam



S-5-U Mini

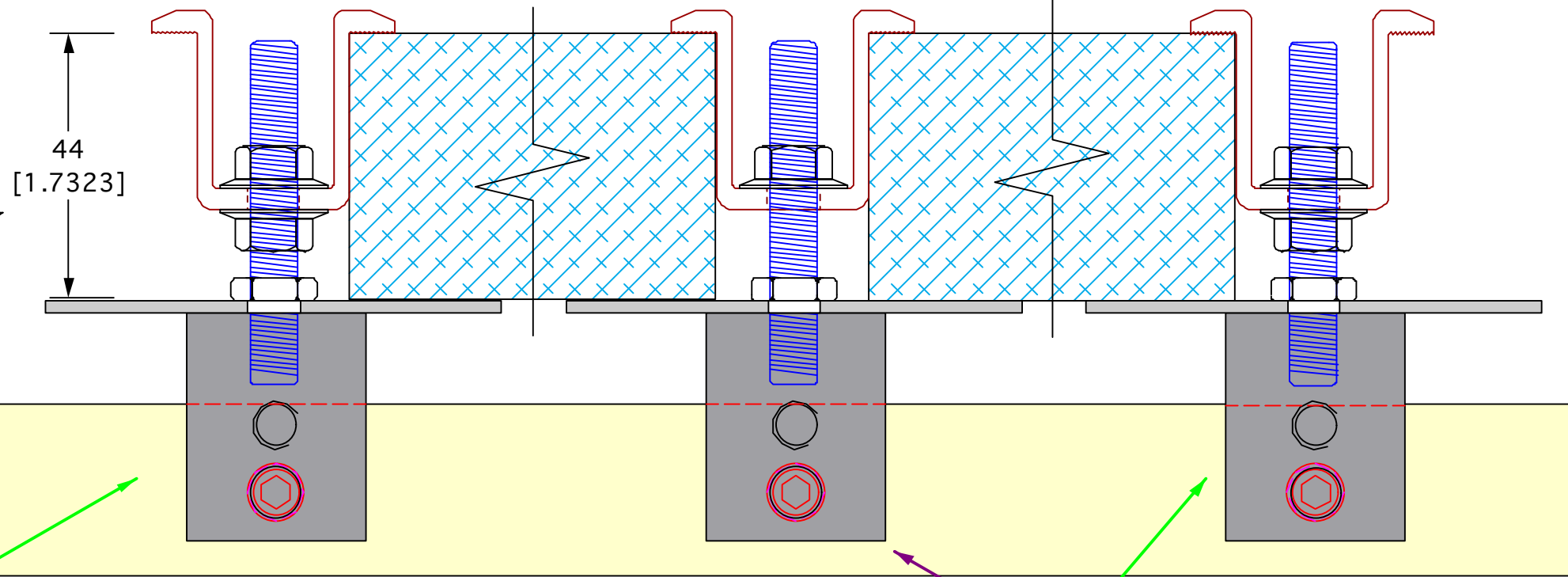
S-5!'s PV Anchor Mounting Applications

Minor Dimension



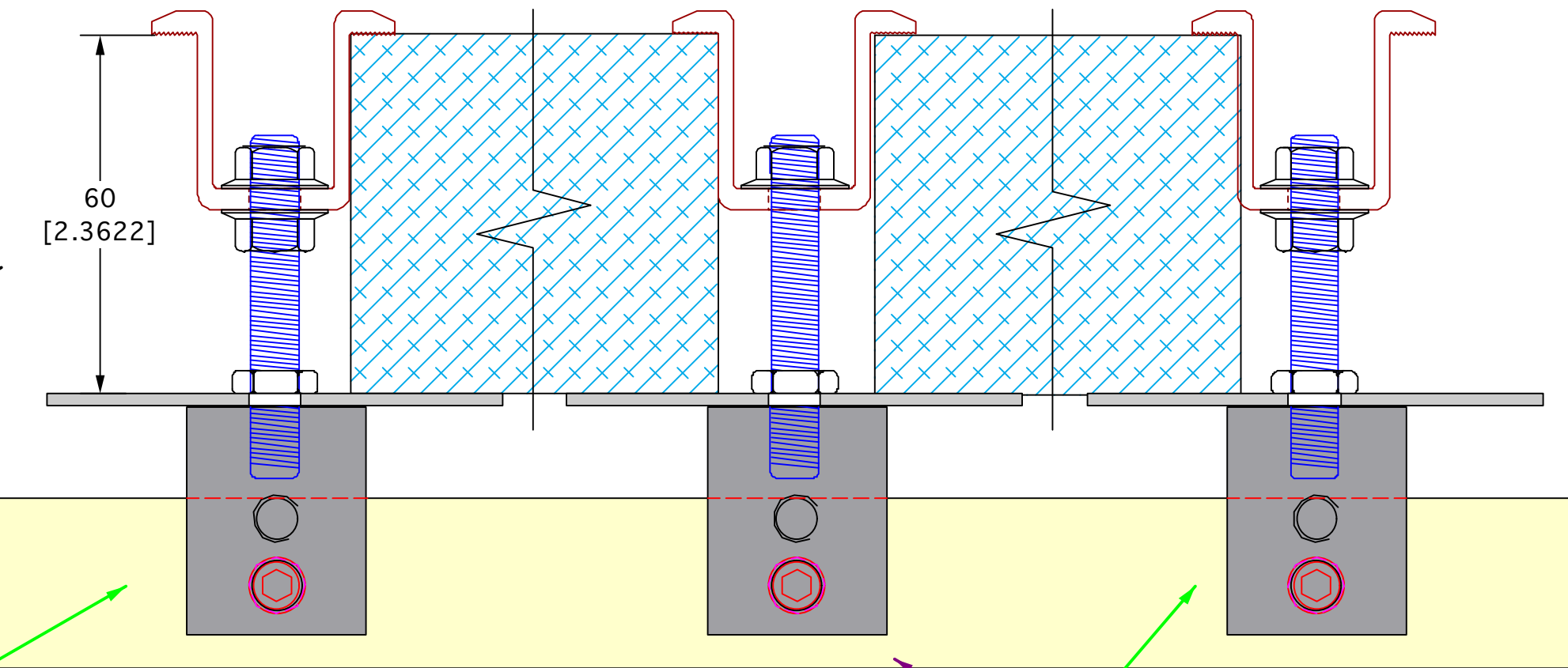
End Application

Anywhere Between 33mm - 60mm



End Application with M8 Flange Nut under PV Mount

Major Dimension



End Application with M8 Flange Nut under PV Mount

Field Application