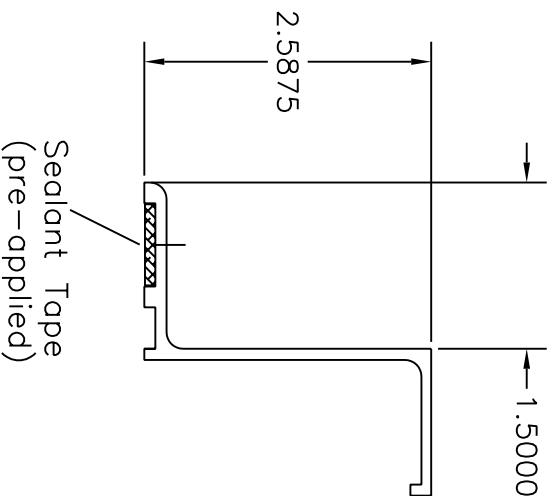


# LMCurb

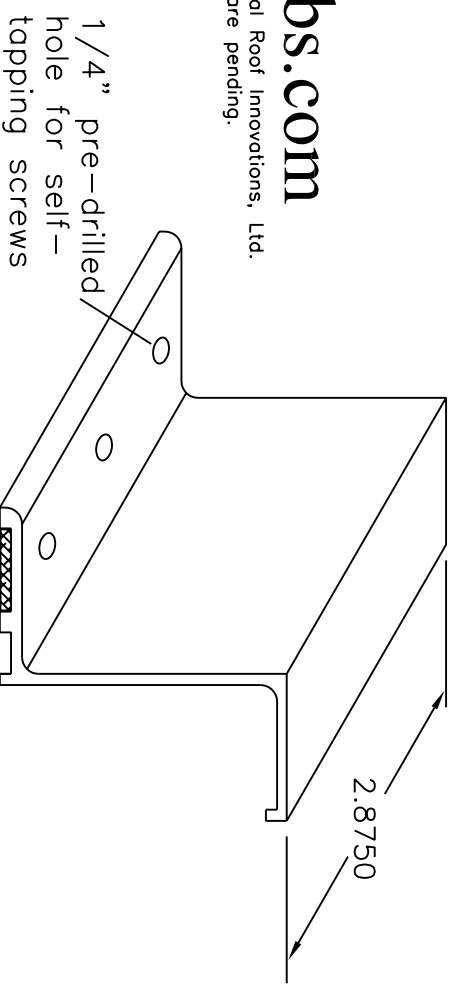
## S-5! VersaBracket

1-800-284-1412

End View



Isometric View



[www.lmcurbs.com](http://www.lmcurbs.com)

S-5! and S-5 are trademarks of Metal Roof Innovations, Ltd.  
U.S. and foreign patents are pending.