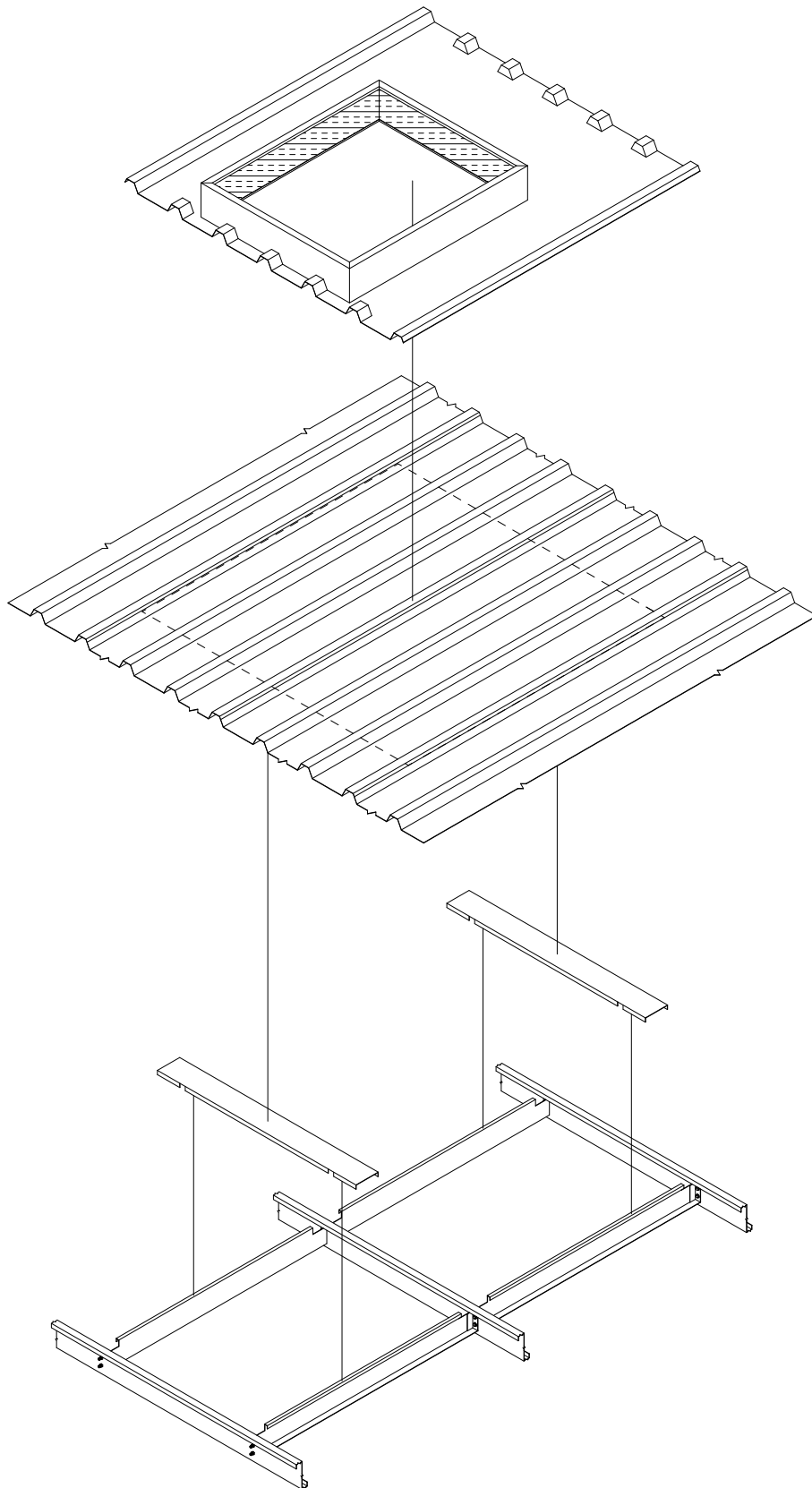





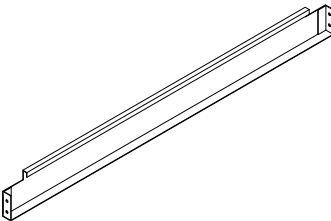

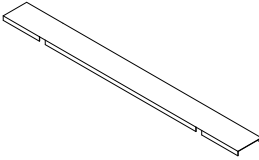


ROOF CURB INSTALLATION INSTRUCTIONS: R-PANELS



Installation Check List:

- Attach Sub-frame(s) Step 1
- Layout Curb(s) on Roof Panel Step 2
- Mount Back-up Channels Step 3
- Apply Sealants & Set Curb in Place Step 4
- Fasten Curb to Back-up Channels Step 5

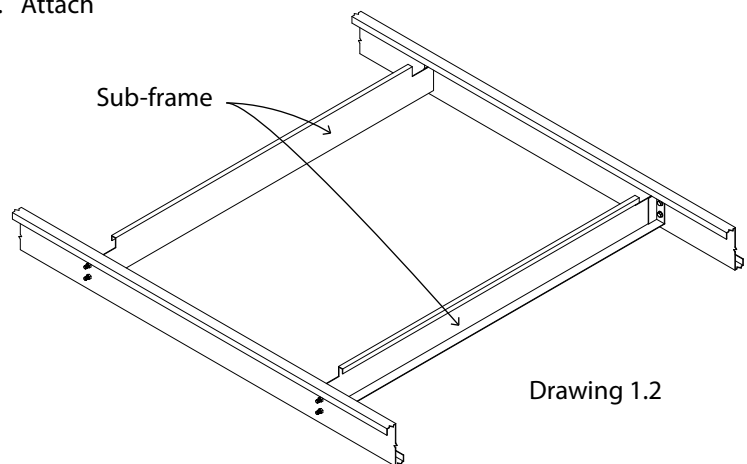
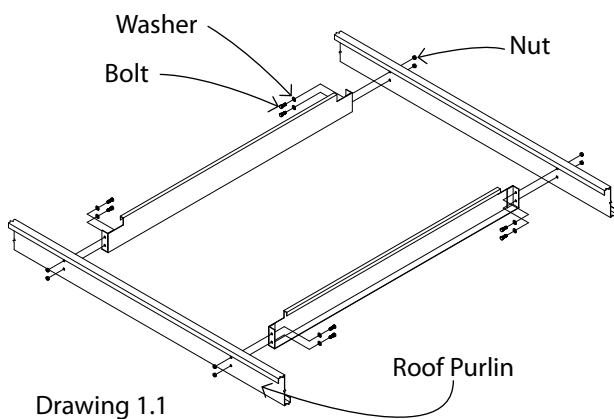
PARTS LIST

	<u>Flat Washer</u>		<u>Polyurethane Sealant Caulk</u>
	<u>Nut</u>		<u>14 Gauge Galvanized Steel Subframe</u> 5-1/2" tall Length is equal to the purlin spacing minus 1-3/8"
	<u>3/8" x 1" bolts</u>		<u>Back-up Channel</u>
	<u>#14 - 1 1/8" Neoprene Self-Tap Screw</u>		
	<u>Triple Bead Sealant Tape</u>		

BEGIN INSTALLATION

① ATTACH SUB-FRAMES

Attach sub-frames to purlins (see drawing 1.1 and 1.2). Finger tighten all hardware, then upset threads to secure nuts. Attach sub-frames using the nuts, bolts, and washers.

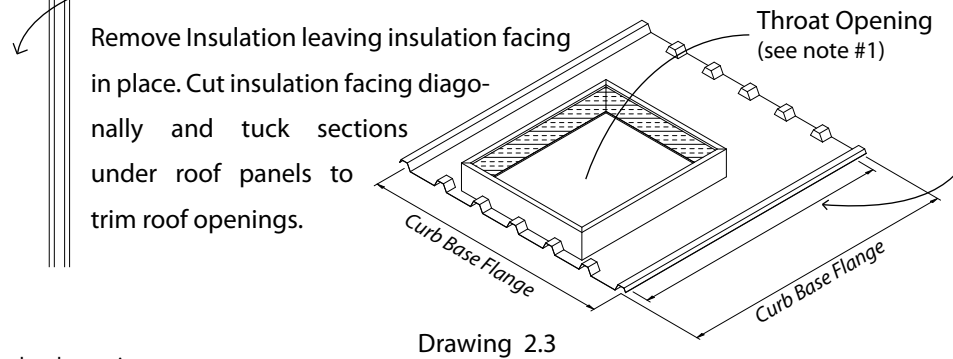
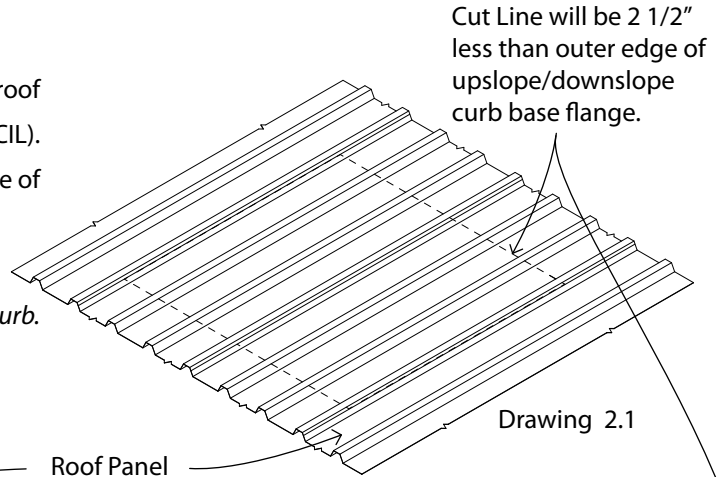
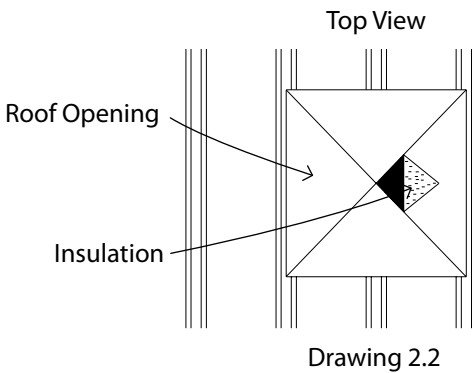


NOTICE Sub-frame max. loading 500 lbs.

② LAYOUT CURB ON ROOF PANEL

Mark base flange locations and throat area cut lines by setting roof curb in place on roof panel (DO NOT USE LEAD PENCIL). Upslope/downslope cut lines will be 2 1/2" less than outer edge of base flange.

Note #1: For uninsulated curb(s), throat opening is actual I.D. of curb. For insulated curb(s), use actual I.D. and add 1 3/4" to each side.

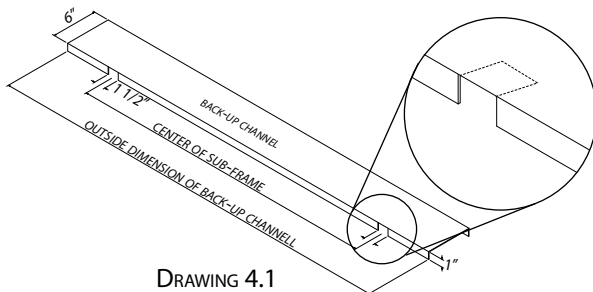
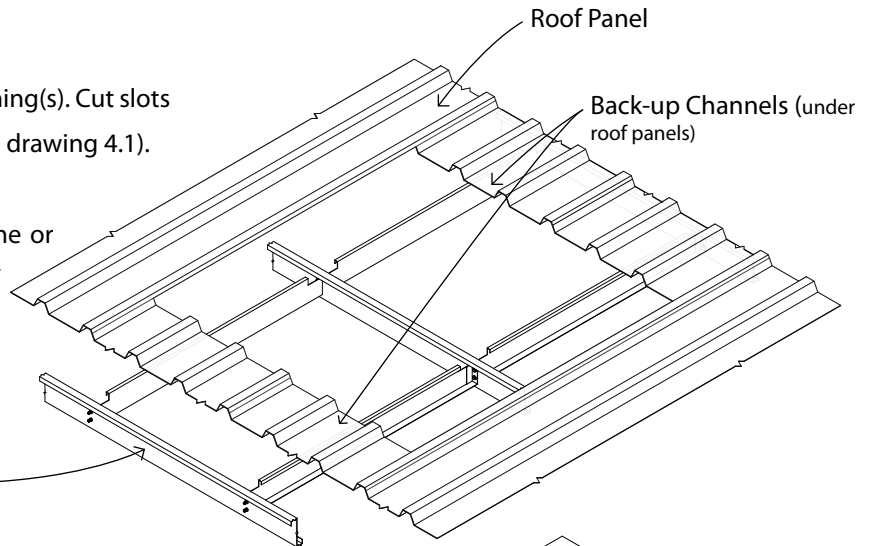


Notice Sub-frames and back-up channels not shown in the above picture.

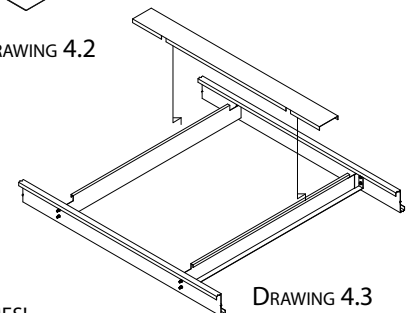
③ MOUNT BACK-UP CHANNELS

Center back-up channels with the center roof opening(s). Cut slots in back-up channels to slide over sub-frame(s) (see drawing 4.1).

Back-up channels are not be screwed to sub-frame or purlin. Slide back-up channels underneath roof panel (see drawing 4.2). Back-up channels are to be flush with roof opening as showing in drawing 4.2.



Fold cut tabs up 90 degrees underneath the back-up channels as shown.



NOTICE DO NOT SCREW BACK-UP CHANNELS TO SUB-FRAMES!

WARNING!

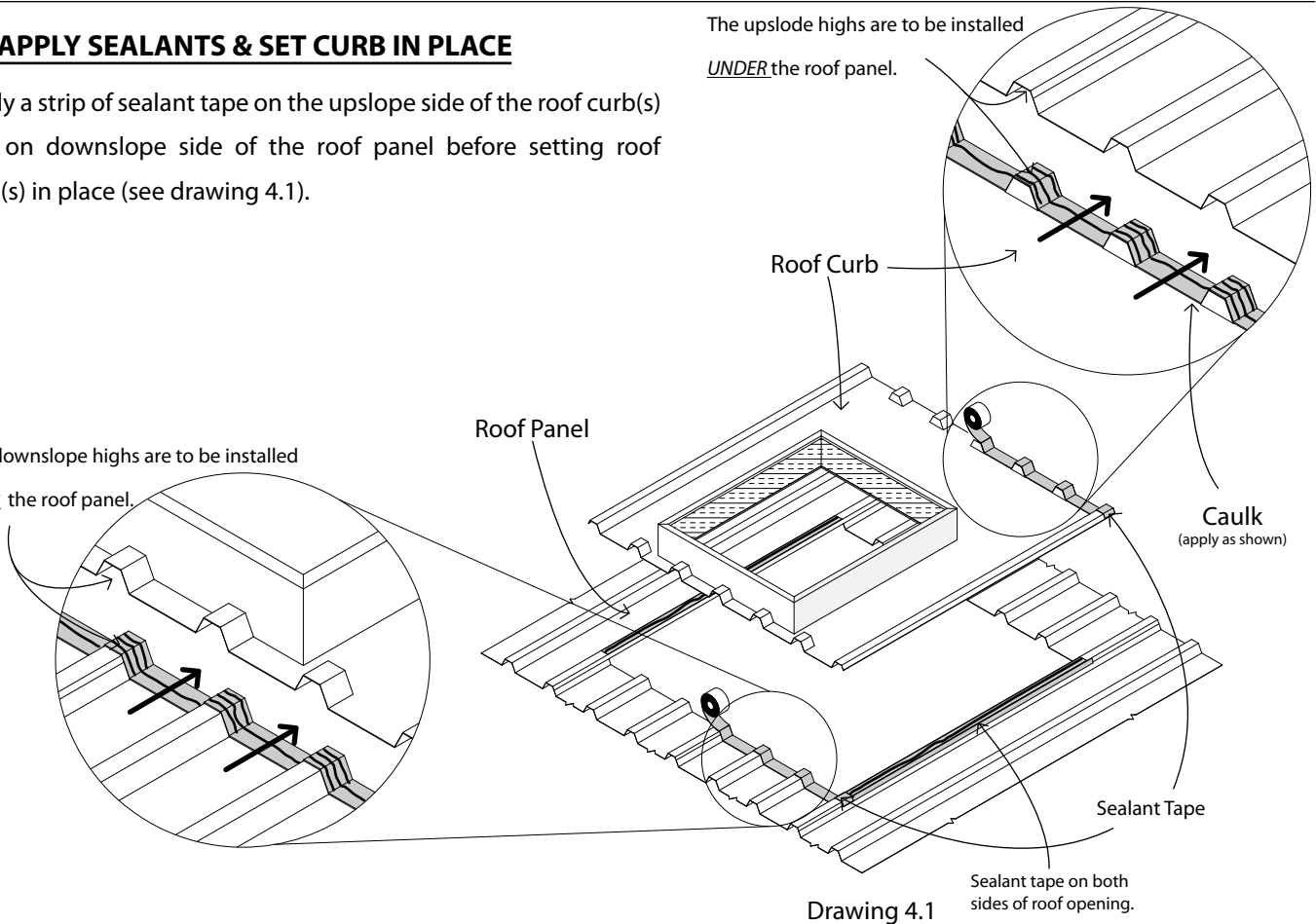
ALWAYS USE FALL PROTECTION WHILE WORKING AROUND ROOF OPENINGS.

④ APPLY SEALANTS & SET CURB IN PLACE

Apply a strip of sealant tape on the upslope side of the roof curb(s) and on downslope side of the roof panel before setting roof curb(s) in place (see drawing 4.1).

The downslope highs are to be installed
OVER the roof panel.

The upslope highs are to be installed
UNDER the roof panel.

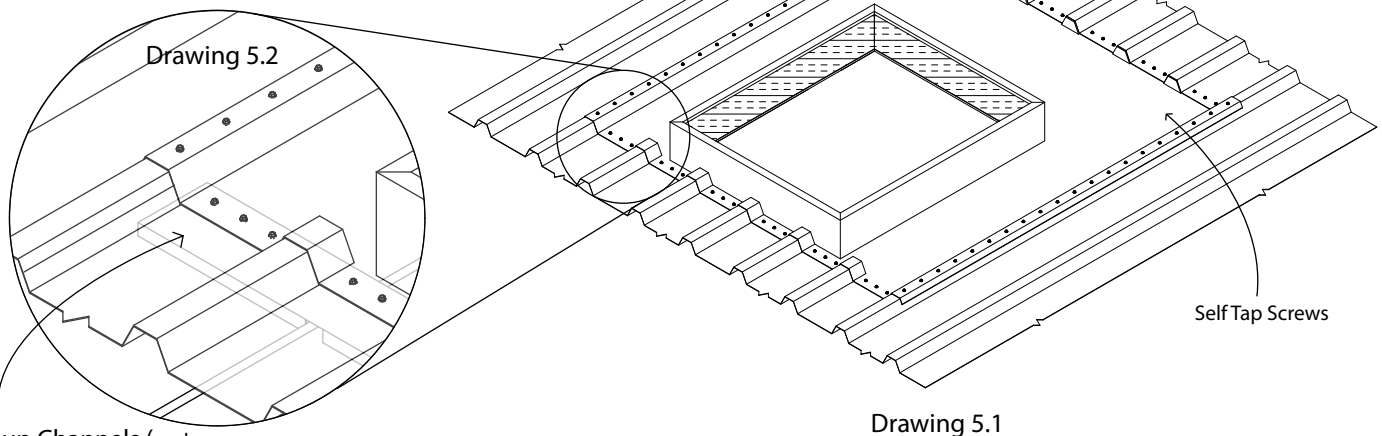


Drawing 4.1

NOTICE Sub-frames and back-up channels not shown in the above picture(s).

⑤ FASTEN CURB TO BACK-UP CHANNELS

Fasten curb(s) to back-up channels and roof panel using self-tap screws (see drawing 5.2). DO NOT FASTEN CURB, ROOF PANEL, OR BACK-UP CHANNELS TO SUB-FRAMES.



Drawing 5.1

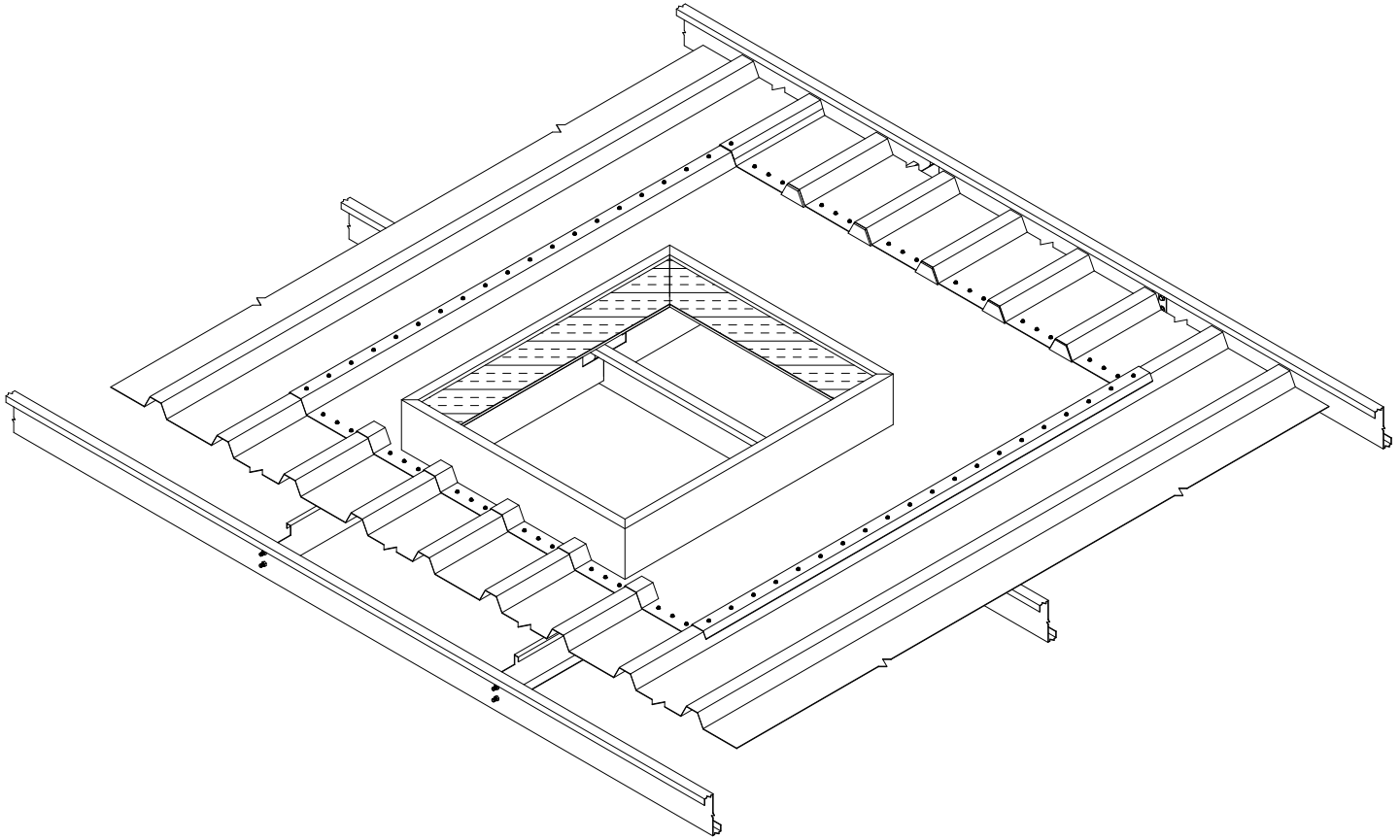
Back-up Channels (under
roof panels)

NOTICE Sub-frames and back-up channels not shown in the above picture(s).

WARNING!

ALWAYS USE FALL PROTECTION WHILE
WORKING AROUND ROOF OPENINGS.

COMPLETED INSTALLATION



WARNING!

ALWAYS USE FALL PROTECTION WHILE
WORKING AROUND ROOF OPENINGS.