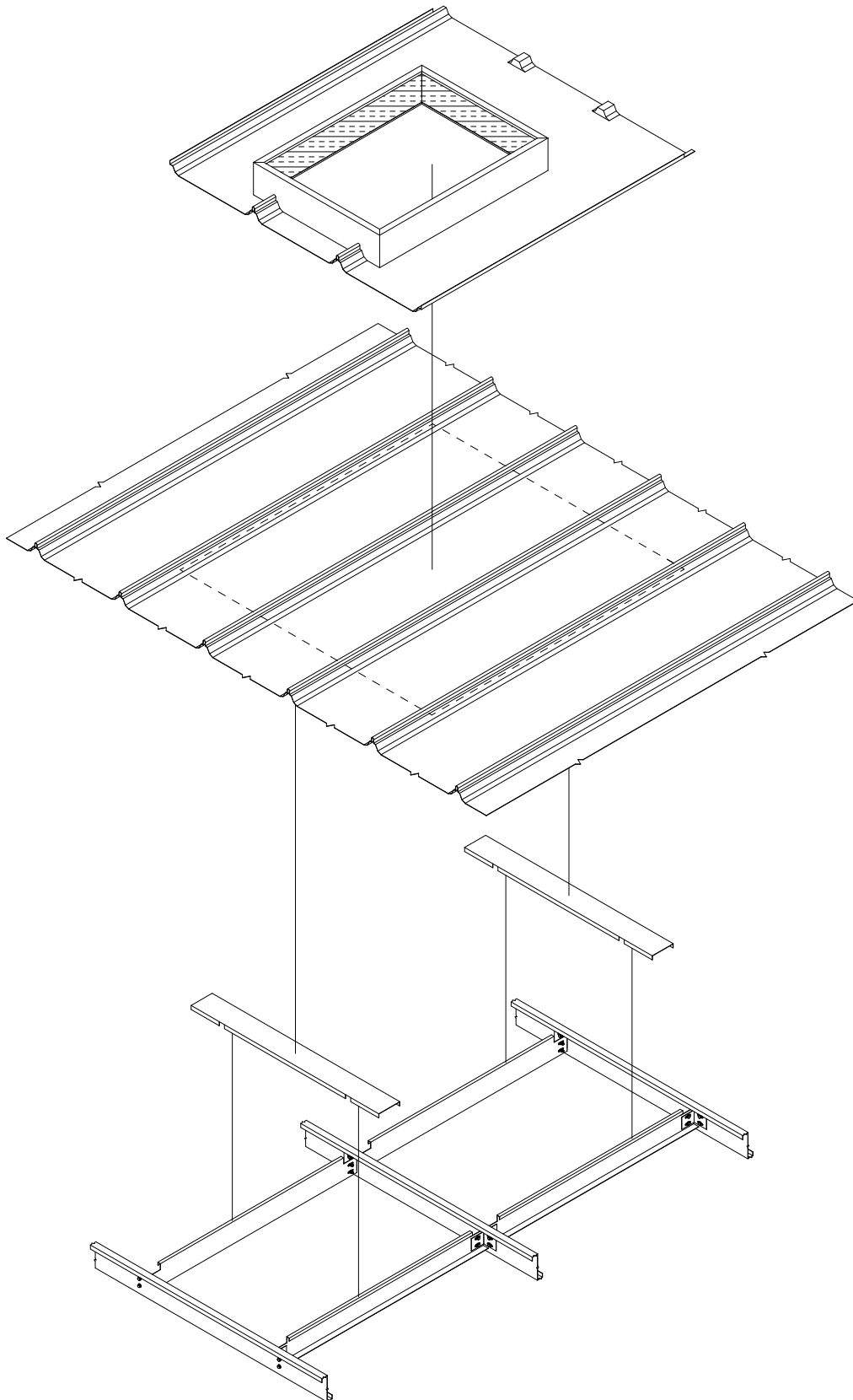







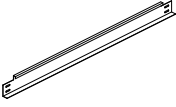
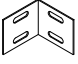
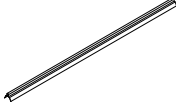

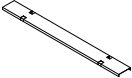
## ROOF CURB INSTALLATION INSTRUCTIONS: UNIVERSAL STANDING SEAM PANEL



### Installation Check List:

- Attach Sub-Frames ..... Step 1
- Layout Curb on Roof Panel ..... Step 2
- Back-up Channels ..... Step 3
- Apply Sealants & Set Curb in Place ..... Step 4
- Fasten Curb to Roof Panel ..... Step 5
- Attach Cap Strips ..... Step 6

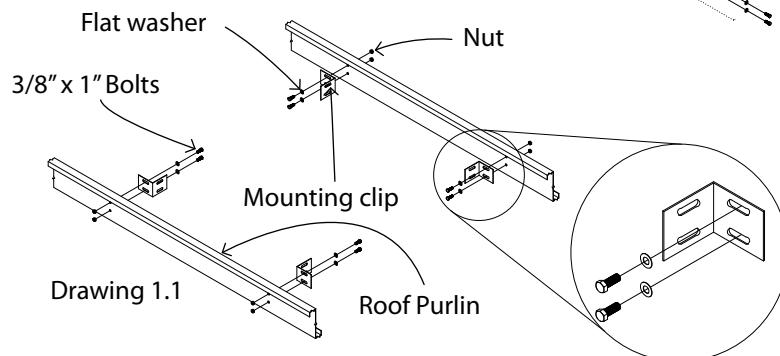
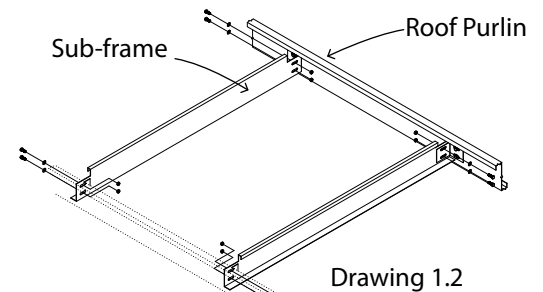
### PARTS LIST

	<u>Flat Washer</u>		<u>Polyurethane Sealant Caulk</u>
	<u>Nut</u>		<u>Triple Bead Sealant Tape</u>
	<u>Bolt</u>		<u>14 Gauge Galvanized Steel Subframe</u> 5-1/2" tall Length is equal to the purlin spacing minus 1-3/8"
	<u>Mounting Clip</u>		<u>Cap Strip</u>
	<u>#14 - 1 1/8" Neoprene Self-Tap Screw</u>		<u>Back-up Channels(field notch)</u>

## BEGIN INSTALLATION

### ① ATTACH SUB-FRAMES *(framed opening is already installed)*

Attach mounting clips to sub-frame and align the top of the sub-frame under vertical box of roof curb and flush to the bottom side of roof sheets. Use the mounting clip as a template, mark on purlin where 7/16" holes are to be drilled. Once holes are drilled, attach mounting clips to purlins using flat washers, nuts, and bolts (see drawing 1.1). Finger tighten all hardware, then upset threads to secure nuts. Attach sub-frames to mounting clips using flat washers, nuts, and bolts (see drawing 1.2).



\*NOTICE\* Sub-frame max. loading 500 lbs.

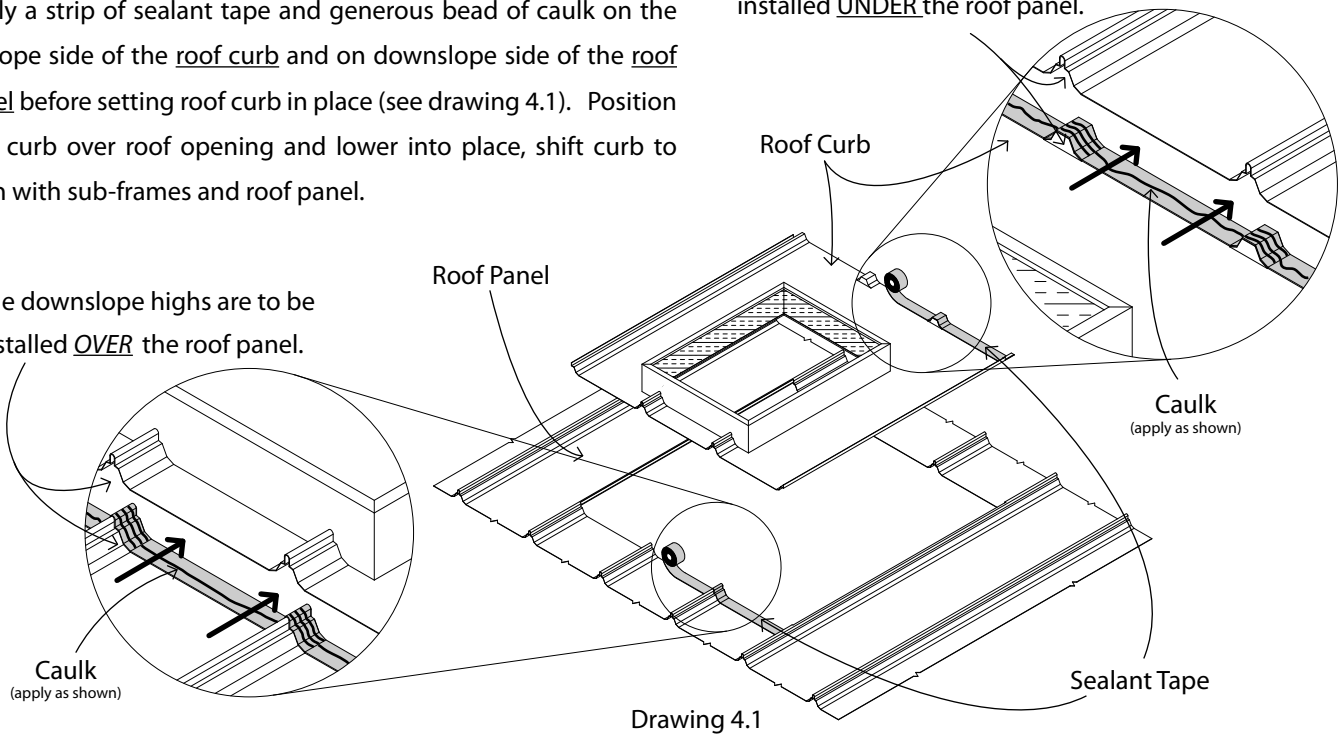


### ④ APPLY SEALANTS & SET CURB IN PLACE

Apply a strip of sealant tape and generous bead of caulk on the upslope side of the roof curb and on downslope side of the roof panel before setting roof curb in place (see drawing 4.1). Position roof curb over roof opening and lower into place, shift curb to align with sub-frames and roof panel.

The upslope highs are to be installed UNDER the roof panel.

The downslope highs are to be installed OVER the roof panel.



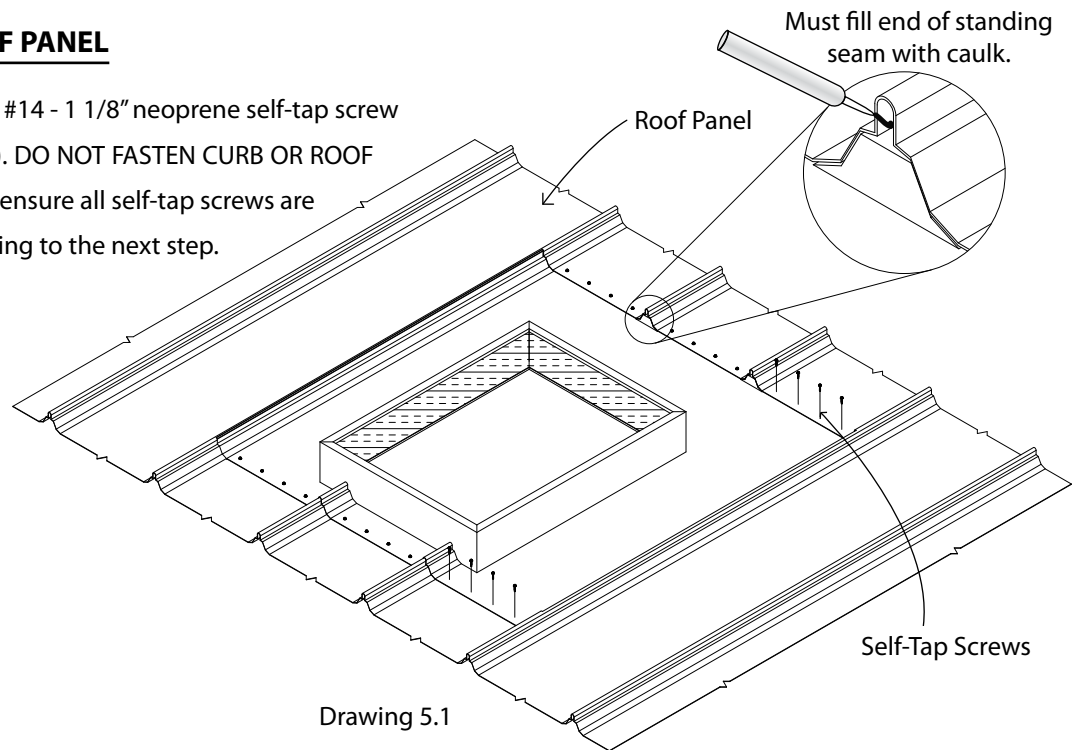
Drawing 4.1

\*Notice\* Sub-frames and purlins not shown in the above picture.

### ⑤ FASTEN CURB TO ROOF PANEL

Fasten curb to roof panel using #14 - 1 1/8" neoprene self-tap screw on 4" centers (see drawing 5.1). **DO NOT FASTEN CURB OR ROOF PANEL TO SUB-FRAMES.** Please ensure all self-tap screws are properly tightened before moving to the next step.

Must fill end of standing seam with caulk.



Drawing 5.1

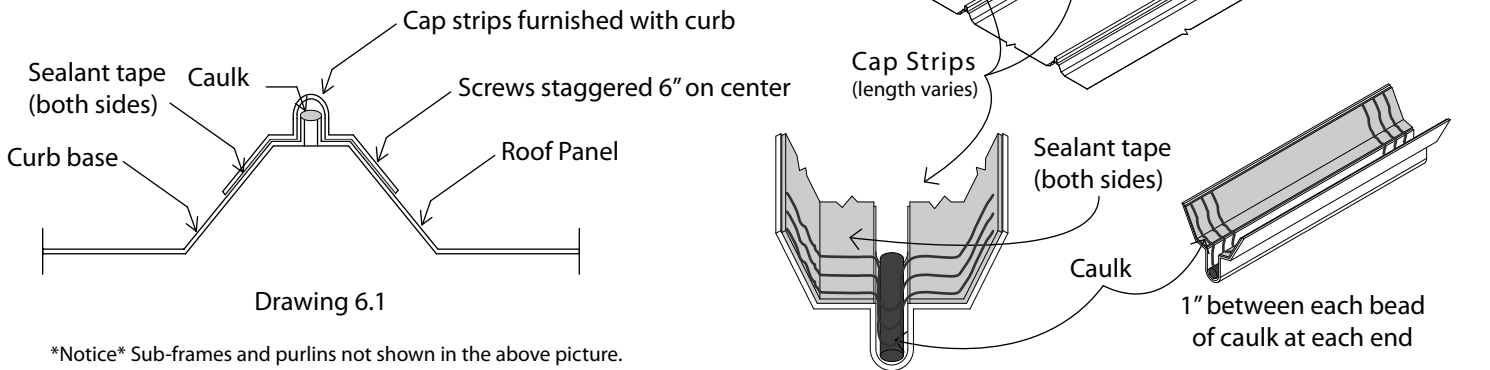
\*Notice\* Sub-frames and purlins not shown in the above picture.

#### WARNING!

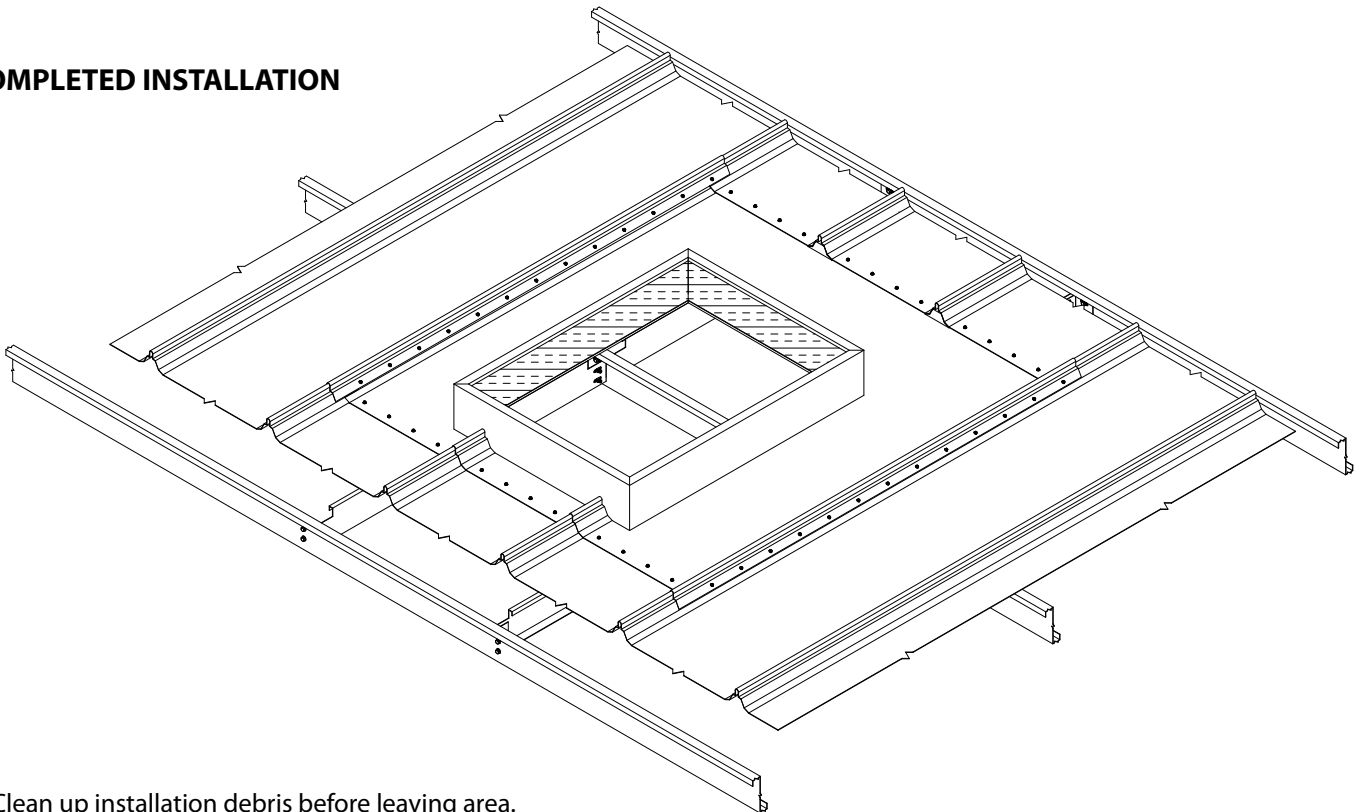
ALWAYS USE FALL PROTECTION WHILE WORKING AROUND ROOF OPENINGS.

### ⑥ ATTACH CAP STRIPS

Turn the cap strips upside down and apply sealant tape to the entire length of both inside legs. Then run a bead of caulk down the middle of the cap strips and at each end of cap strip (see drawing 6.1). Install cap strips over the curb/roof panel sidelap, fasten with screws alternating on 6" centers (staggered on both sides). The capstrip should extend approximately 6" past both upslope and downslope base of roof curb.



### COMPLETED INSTALLATION



\*\*Clean up installation debris before leaving area.