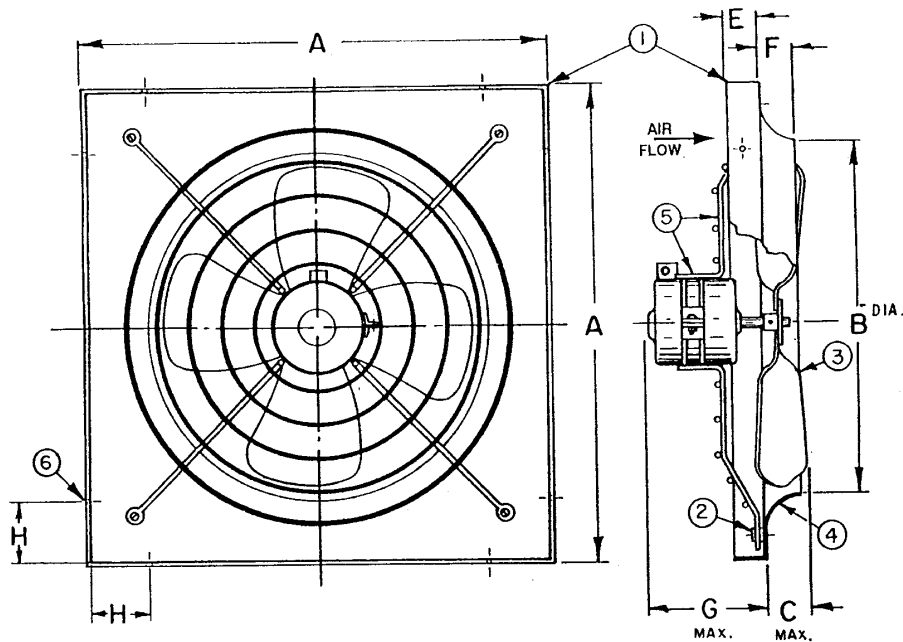


Breezeway Direct Drive Model: 'P' Series



Legend

1. Epoxy Coated Steel Panel
2. Anti-Vibration Mounts
3. Fan Blade
4. Venturi Orifice
5. Wire Guard & Motor Mount
6. Mounting Holes 17/64" Diameter

Dimensional Data

| MODEL | A | B ^{Dia.} | C ^{Max.} | E | F | G ^{Max.} | H |
|-------|--------|-------------------|-------------------|---|-------|-------------------|---------|
| P10 | 15 | 10 3/4 | 2 1/2 | 1 | 1 1/4 | 6 1/2 | 3/4 |
| P12 | 17 | 12 1/4 | 3 1/4 | 1 | 1 | 7 1/2 | 1 7/8 |
| P16 | 22 3/4 | 16 3/4 | 3 3/4 | 1 | 2 1/4 | 11 1/4 | 2 7/8 |
| P18 | 24 1/4 | 18 3/4 | 3 3/4 | 1 | 2 | 9 1/8 | 3 5/8 |
| P20 | 26 3/4 | 20 7/8 | 3 3/4 | 1 | 1 3/4 | 12 1/2 | 3 1/4 |
| P24 | 32 1/4 | 25 | 4 1/4 | 2 | 2 3/8 | 12 7/8 | 4 11/16 |

Note: Additional guard should be installed when fans are located within seven feet of floor and/or working level or within reach of personnel. (Review OSHA codes for exact specifications).

All dimensions in inches.

Material: Epoxy Coated Steel Panel



PENNBARRY™

1401 North Plano Road, Richardson, TX 75081

Ph: 972.234.3202 Fax: 972.497.0468

www.PennBarry.com

Submittal Sheet
Breezeway - 'P' Series
Propeller Fan
Exhaust and Supply

This drawing illustrates our understanding of order requirements. When approved, it represents details for fabrication, as such, PennBarry will not be responsible for revisions in the field or other changes after release for fabrication. Published and protected by PennBarry, Richardson, TX. All rights reserved. May not be reproduced partially or in full without permission from the publisher. No rights conveyed to manufacture partially or in full, use or sell either the method of construction represented or any invention in any way related thereto.

Form ES-P, Rev. 1

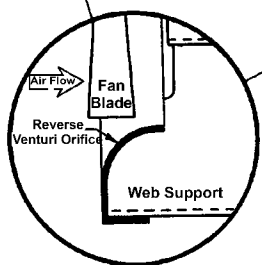
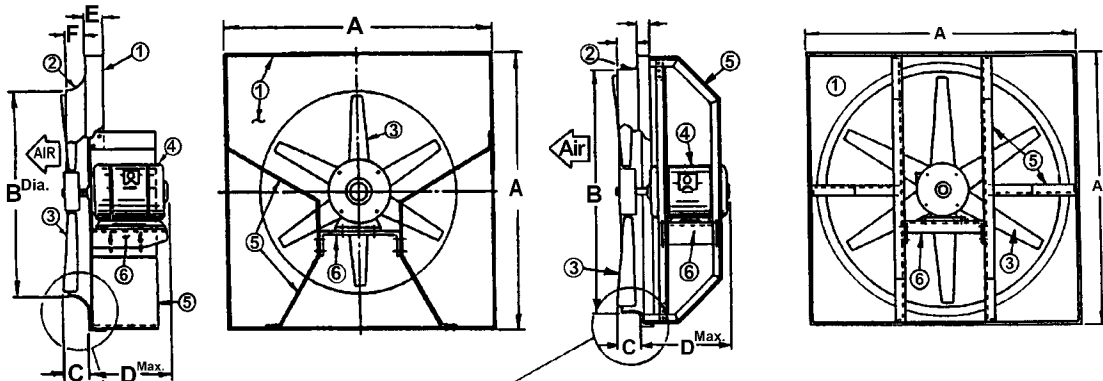
Revised December 2005

Breezeway

Model: BC Series - Sizes 24 through 54

Sizes 24 - 42

Sizes 48 & 54



**Reverse Venturi Detail
(Supply)**

Legend

- 1. Epoxy Coated Steel Panel
- 2. Venturi Orifice
- 3. Fan Blade (Cast Aluminum)
- 4. Ball Bearing Motor
- 5. Plate Steel Web Supports (Sizes 24 - 42)
Epoxy Coated Steel Angle Supports (Sizes 48 & 54)
- 6. Motor Mounting Plate

Dimensional Data

| MODEL | A | B ^{DIA.} | C ^{MAX.} | E | F | D ^{MAX.} |
|-------------|----|-------------------|-------------------|---------|-------|-------------------|
| BC24 | 28 | 25 | 4 1/2 | 3 1/8 | 3 | 15 |
| BC30 | 34 | 31 | 4 1/2 | 2 5/8 | 3 | 16 |
| BC36 | 40 | 37 | 5 | 3 | 4 3/4 | 16 |
| BC42 | 46 | 43 | 5 | 3 13/16 | 3 1/2 | 18 |
| BC48 | 54 | 49 | 5 | 2 3/4 | 3 1/2 | 23 |
| BC54 | 60 | 55 | 5 | 3 | 5 | 24 |

Note: Guards should be installed when fans are located within seven feet of floor and/or working level or within reach of personnel. (Review OSHA codes for specific requirements).

All dimensions in inches.

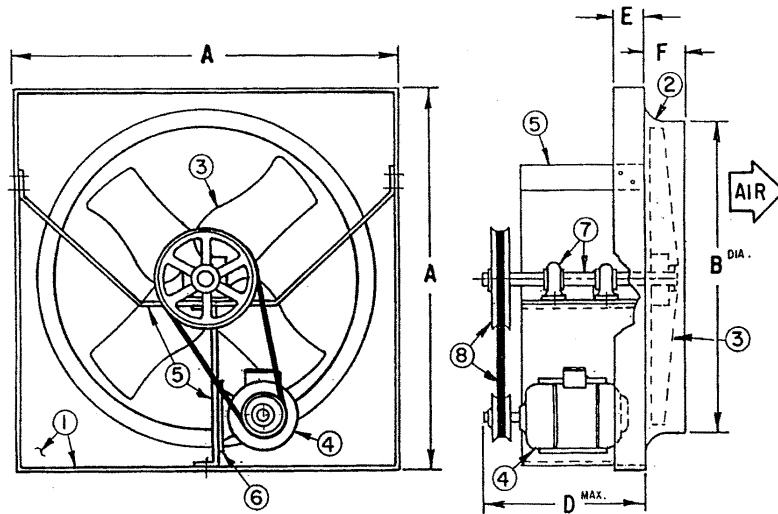
Material: Epoxy Coated Steel

| | |
|---|---|
| <p style="font-weight: bold; margin-top: 10px;">PENN BARRY™</p> <p>1401 North Plano Road, Richardson, TX 75081 Ph: 972.234.3202 Fax: 972.497.0468 www.PennBarry.com</p> | <h2 style="margin: 0;">Submittal Sheet</h2> <h3 style="margin: 0;">Breezeway - BC Series</h3> <p style="margin: 0;">Cast Aluminum Propellers Exhaust and Supply Direct Drive</p> |
|---|---|

This drawing illustrates our understanding of order requirements. When approved, it represents details for fabrication, as such, PennBarry will not be responsible for revisions in the field or other changes after release for fabrication. Published and protected by PennBarry, Richardson, TX. All rights reserved. May not be reproduced partially or in full without permission from the publisher. No rights conveyed to manufacture partially or in full, use or sell either the method of construction represented or any invention in any way related thereto.

Breezeway Belt Drive

Model: BLL Sizes 24, 30 and 36



Legend

1. Epoxy Coated Steel Panel
2. Venturi Orifice
3. Fan Blade
4. Ball Bearing Motor
5. Plate Steel Web Supports
6. Motor Mounting Plate
7. Fan Shaft & Bearings
8. Belt & Pulleys


Dimensional Data

| Model | A | B ^{Dia.} | D ^{Max.} | E | F |
|-------|----|-------------------|-------------------|-------|-------|
| BLL24 | 28 | 25 | 16 | 3 | 3 |
| BLL30 | 34 | 31 | 18 | 2 1/2 | 3 |
| BLL36 | 40 | 37 | 20 | 3 | 4 3/4 |

Note: Guards should be installed when fans are located within seven feet of floor and/or working level or within reach of personnel. (Review OSHA codes for specific requirements).

All dimensions in inches.

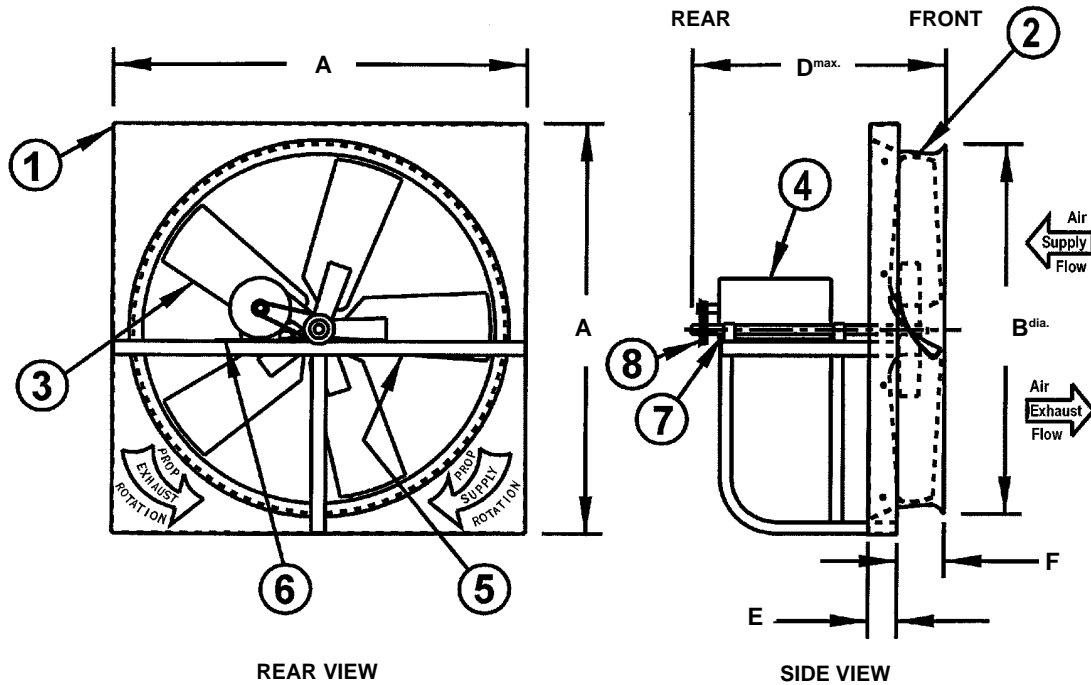
Material: Epoxy Coated Steel

| | |
|---|---|
|  PENNBARRY™ 1401 North Plano Road, Richardson, TX 75081 Ph: 972.234.3202 Fax: 972.497.0468 www.PennBarry.com | <h2 style="margin: 0;">Submittal Sheet</h2> <h3 style="margin: 0;">Breezeway - BLL Series</h3> <h4 style="margin: 0;">Fabricated Steel Propellers</h4> <h4 style="margin: 0;">Exhaust</h4> <h4 style="margin: 0;">Belt Drive</h4> |
|---|---|

This drawing illustrates our understanding of order requirements. When approved, it represents details for fabrication, as such, PennBarry will not be responsible for revisions in the field or other changes after release for fabrication. Published and protected by PennBarry, Richardson, TX. All rights reserved. May not be reproduced partially or in full without permission from the publisher. No rights conveyed to manufacture partially or in full, use or sell either the method of construction represented or any invention in any way related thereto.

Breezeway

Model: BHM - Sizes 24 through 48



Legend

- | | |
|---------------------------|----------------------------|
| 1. Galvanized Steel Panel | 5. U-Channel Support Frame |
| 2. Venturi Orifice | 6. Motor Mounting Plate |
| 3. Fan Blade | 7. Fan Shaft & Bearings |
| 4. Ball Bearing Motor | 8. Belt & Cast Pulleys |

Dimensional Data

| Model | A | B ^{DIA.} | D ^{MAX.} | E | F |
|--------|----|-------------------|-------------------|---|---|
| BHM24B | 32 | 25 1/2 | 26 | 3 | 5 |
| BHM30B | 38 | 31 1/2 | 26 | 3 | 5 |
| BHM36B | 44 | 37 1/2 | 27 | 3 | 5 |
| BHM42B | 50 | 43 1/2 | 27 | 3 | 5 |
| BHM48B | 56 | 49 1/2 | 27 | 3 | 5 |

Note: 1. Guard should be installed when fans are located within seven feet of floor and/or working level or within reach of personnel. (Review OSHA codes for specific requirements.)
 2. Standard factory assembly is exhaust. Supply applications must be specified at time of order.

All dimensions in inches.

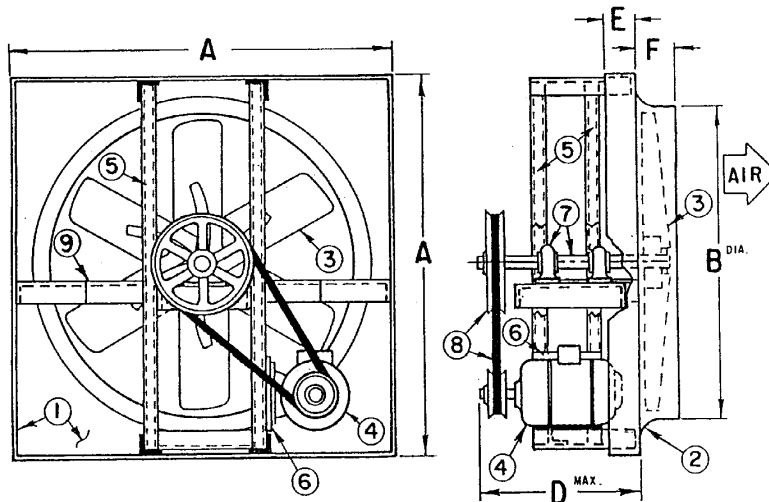
Material: Galvanized Steel

| | |
|---|---|
| <p style="font-weight: bold; margin: 0;">PENN BARRY™</p> <p style="font-size: small; margin: 0;">1401 North Plano Road, Richardson, TX 75081 Ph: 972.234.3202 Fax: 972.497.0468 www.PennBarry.com</p> | <h2 style="margin: 0;">Submittal Sheet</h2> <h3 style="margin: 0;">Breezeway - BHM Series</h3> <p style="margin: 0; font-weight: bold;">Fabricated Steel Propellers Exhaust and Supply Belt Drive</p> |
|---|---|

This drawing illustrates our understanding of order requirements. When approved, it represents details for fabrication, as such, PennBarry will not be responsible for revisions in the field or other changes after release for fabrication. Published and protected by PennBarry, Richardson, TX. All rights reserved. May not be reproduced partially or in full without permission from the publisher. No rights conveyed to manufacture partially or in full, use or sell either the method of construction represented or any invention in any way related thereto.

Breezeway

Model: BCH - Sizes 24 through 60



Legend

1. Epoxy Coated Steel Panel
2. Venturi Orifice
3. Fan Blade (Cast Aluminum Prop)
4. Ball Bearing Motor
5. Welded Tubular Support Frame
6. Welded Motor Mounting Plate
7. Fan Shaft & Bearings
8. Belt & Cast Pulleys
9. Lateral Support

Dimensional Data

| Model | A | B ^{DIA.} | D ^{MAX.} | E | F |
|-------|----|-------------------|-------------------|-------|-------|
| BCH24 | 28 | 25 | 16 | 3 | 3 |
| BCH30 | 34 | 31 | 18 | 2 1/2 | 3 |
| BCH36 | 40 | 37 | 20 | 3 | 4 3/4 |
| BCH42 | 46 | 43 | 22 | 3 3/4 | 4 1/2 |
| BCH48 | 54 | 49 | 25 | 2 3/4 | 4 3/4 |
| BCH54 | 60 | 55 | 28 | 3 | 5 |
| BCH60 | 66 | 61 | 28 | 2 3/4 | 6 |

Note: Guards should be installed when fans are located within seven feet of floor and/or working level or within reach of personnel. (review OSHA codes for specific requirements).

All dimensions in inches.

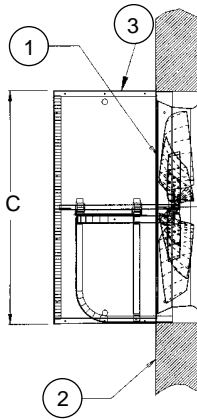
Material: Galvanized Steel

| | |
|---|--|
| <p style="text-align: center;">PENNBARRY™</p> <p>1401 North Plano Road, Richardson, TX 75081 Ph: 972.234.3202 Fax: 972.497.0468 www.PennBarry.com</p> | <h2 style="margin: 0;">Submittal Sheet</h2> <h3 style="margin: 0;">Breezeway - BCH Series</h3> <p style="margin: 0;">Cast Propellers Exhaust Belt Drive</p> |
|---|--|

This drawing illustrates our understanding of order requirements. When approved, it represents details for fabrication, as such, PennBarry will not be responsible for revisions in the field or other changes after release for fabrication. Published and protected by PennBarry, Richardson, TX. All rights reserved. May not be reproduced partially or in full without permission from the publisher. No rights conveyed to manufacture partially or in full, use or sell either the method of construction represented or any invention in any way related thereto.

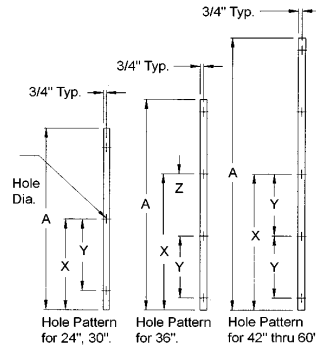
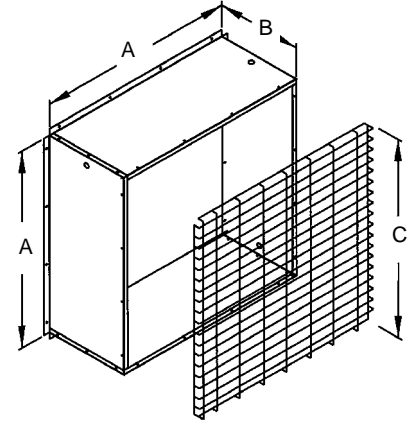
Breezeway Rear Guard

Models: BHM/BHH



Legend

1. Fan (Shown For Reference Only)
2. Wall
3. Rear Guard



Dimensional Data

| | Size | | | | | | |
|-------------------------|---------|---------|---------|---------|---------|----------|----------|
| | 24 | 30 | 36 | 42 | 48 | 54 * | 60 * |
| A ^{sq.} | 32 1/4 | 38 1/4 | 44 1/4 | 50 1/4 | 56 1/4 | 62 3/8 | 68 3/8 |
| B | 20 | 20 | 20 | 22 | 22 | 27 | 27 |
| C | 32 3/8 | 38 3/8 | 44 3/8 | 50 3/8 | 56 3/8 | 62 1/2 | 68 1/2 |
| Screen | 1 Piece | 1 Piece | 1 Piece | 1 Piece | 1 Piece | 2 Pieces | 2 Pieces |

*BHH only

All dimensions in inches.


Hole Pattern Dimensional Data

| | Size | | | | | | |
|-----------------|--------|--------|--------|--------|--------|---------|---------|
| | 24 | 30 | 36 | 42 | 48 | 54 | 60 |
| A | 32 1/4 | 38 1/4 | 44 1/4 | 50 1/4 | 56 1/4 | 62 3/8 | 68 3/8 |
| X | 16 1/8 | 19 1/8 | 22 1/8 | 25 1/8 | 28 1/8 | 31 3/16 | 34 3/16 |
| Y | 14 | 15 | 13 | 10 1/2 | 12 | 15 | 15 |
| Z | N/A | N/A | 6 1/2 | N/A | N/A | N/A | N/A |
| Hole Dia | 17/64 | 17/64 | 5/16 | 5/16 | 5/16 | 5/16 | 5/16 |
| # Holes | 3 | 3 | 4 | 5 | 5 | 5 | 5 |

All dimensions in inches.

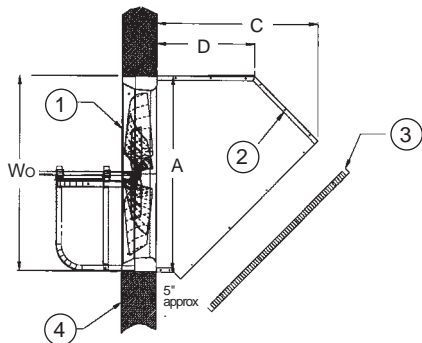
- Notes:**
1. Guards should be installed when fans are located within seven feet of floor and/or working level or within reach of personnel. (review OSHA codes for specific details).
 2. Standard Factory shipment is knocked down (kd). Assembled part must be specified at time of order.

Material: Galvanized Steel

| | |
|--|---|
|  <p>PENNBARRY™</p> <p>1401 North Plano Road, Richardson, TX 75081 Ph: 972.234.3202 Fax: 972.497.0468 www.PennBarry.com</p> | <h2 style="margin: 0;">Submittal Sheet</h2> <h3 style="margin: 0;">Breezeway - BHM/BHH Series</h3> <h3 style="margin: 0;">Rear Guard</h3> |
|--|---|

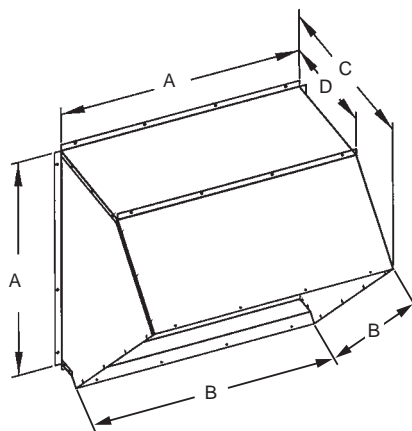
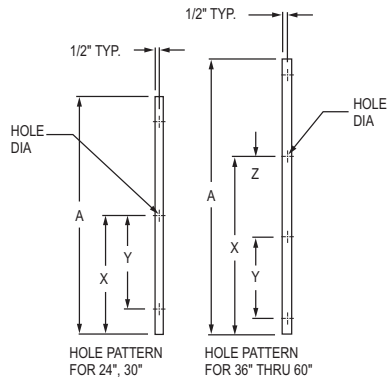
This drawing illustrates our understanding of order requirements. When approved, it represents details for fabrication, as such, PennBarry will not be responsible for revisions in the field or other changes after release for fabrication. Published and protected by PennBarry, Richardson, TX. All rights reserved. May not be reproduced partially or in full without permission from the publisher. No rights conveyed to manufacture partially or in full, use or sell either the method of construction represented or any invention in any way related thereto.

Breezeway Weathershield with Front Guard Models: BHM/BHH



Legend

1. Fan (Shown For Reference Only)
2. Weathershield
3. Guard (Removable)
4. Wall



Dimensional Data

| | Size | | | | | | |
|-------------------------|--------|--------|--------|--------|--------|--------|--------|
| | 24 | 30 | 36 | 42 | 48 | 54* | 60* |
| Wo^{sq.} | 32 3/4 | 38 3/4 | 44 3/4 | 50 3/4 | 57 | 63 | 69 |
| A^{sq.} | 32 1/4 | 38 1/4 | 44 1/4 | 50 1/4 | 56 1/4 | 62 3/8 | 68 3/8 |
| B | 32 1/4 | 38 1/4 | 44 1/4 | 50 1/4 | 56 1/4 | 62 3/8 | 68 3/8 |
| C | 28 1/4 | 32 1/2 | 36 3/4 | 41 | 45 1/4 | 49 3/8 | 53 5/8 |
| D | 17 1/4 | 19 3/4 | 22 3/8 | 24 3/4 | 27 1/4 | 29 3/4 | 32 1/8 |

*BHH only.

All dimensions in inches.

Hole Pattern, Dimensional Data

| | Size | | | | | | |
|------------------|--------|--------|--------|--------|--------|---------|---------|
| | 24 | 30 | 36 | 42 | 48 | 54 | 60 |
| A | 32 1/4 | 38 1/4 | 44 1/4 | 50 1/4 | 56 1/4 | 62 3/8 | 68 3/8 |
| X | 16 1/8 | 19 1/8 | 22 1/8 | 25 1/8 | 28 1/8 | 31 3/16 | 34 3/16 |
| Y | 13 | 15 | 13 | 15 | 17 | 20 | 20 |
| Z | N/A | N/A | 6 1/2 | 7 1/2 | 8 1/2 | 10 | 10 |
| Hole Dia. | 5/16 | 5/16 | 5/16 | 5/16 | 5/16 | 5/16 | 5/16 |
| # Holes | 3 | 3 | 4 | 4 | 4 | 4 | 4 |

- Note:** 1. Guards should be installed when fans are located within seven feet of floor and/or working level or within reach of personnel. (Review OSHA codes for specific details.)
2. Standard Factory shipment is knocked down (kd). Assembled part must be specified at time of order.

All dimensions in inches.

Material: Galvanized Steel



PENNBARRY™

1401 North Plano Road, Richardson, TX 75081

Ph: 972.234.3202 Fax: 972.497.0468

www.PennBarry.com

Submittal Sheet Breezeway - BHM/BHH Series Weathershield

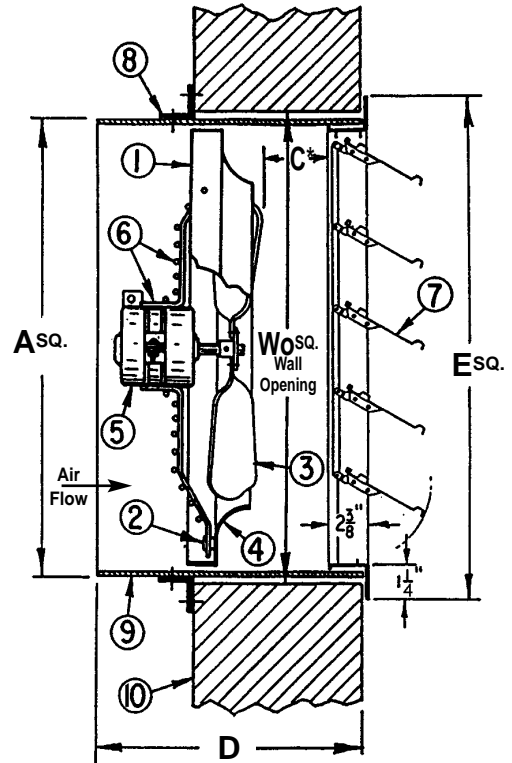
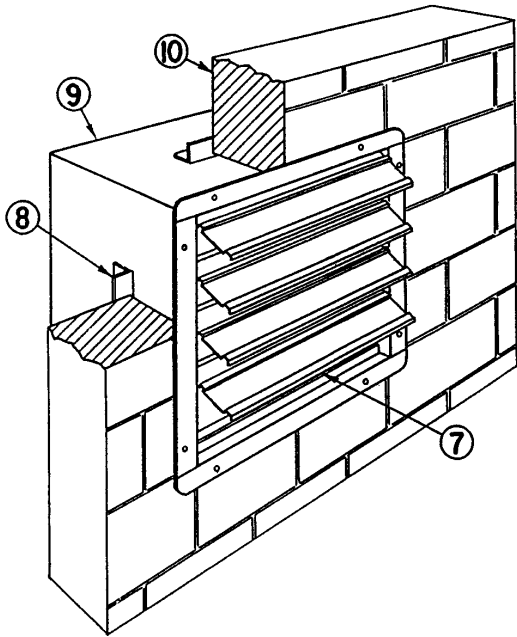
This drawing illustrates our understanding of order requirements. When approved, it represents details for fabrication, as such, PennBarry will not be responsible for revisions in the field or other changes after release for fabrication. Published and protected by PennBarry, Richardson, TX. All rights reserved. May not be reproduced partially or in full without permission from the publisher. No rights conveyed to manufacture partially or in full, use or sell either the method of construction represented or any invention in any way related thereto.

Form ES-SHLD, Rev. 1

Revised December 2005

Breezeway Slip-In Fan Pak

Model: P Series



Legend

- | | | |
|-----------------------------|--------------------------------------|---|
| 1. Epoxy Coated Steel Panel | 5. Electric Fan Motor | 8. Perimeter Angle Frame (Adjustable to Wall Thickness) |
| 2. Anti-Vibration Mounts | 6. Integral Rear Guard & Motor Mount | 9. Galvanized Steel Wall Sleeve |
| 3. Fan Blade | 7. Wall Shutter (Self Attached) | 10. Wall (By Others) |
| 4. Venturi Orifice | | |


Dimensional Data

| | Model | | | | | |
|------------------------------------|--------|--------|--------|--------|--------|--------|
| | P10 | P12 | P16 | P18 | P20 | P24 |
| W_o^{sq.} | 15 3/4 | 17 3/4 | 23 1/2 | 25 | 27 1/2 | 33 1/4 |
| A^{sq.} | 15 1/4 | 17 1/4 | 23 | 24 1/2 | 27 | 32 1/2 |
| C* MIN. | 4 | 4 | 4 | 4 | 5 | 5 |
| D | 18 3/4 | 18 3/4 | 22 3/4 | 23 | 24 3/4 | 30 3/4 |
| E^{sq.} | 17 5/8 | 19 5/8 | 25 3/8 | 26 7/8 | 29 3/8 | 34 7/8 |

Note: Additional guards should be installed when fans are located within seven feet of floor and/or working level or within reach of personnel. (Review OSHA codes for specific details.)

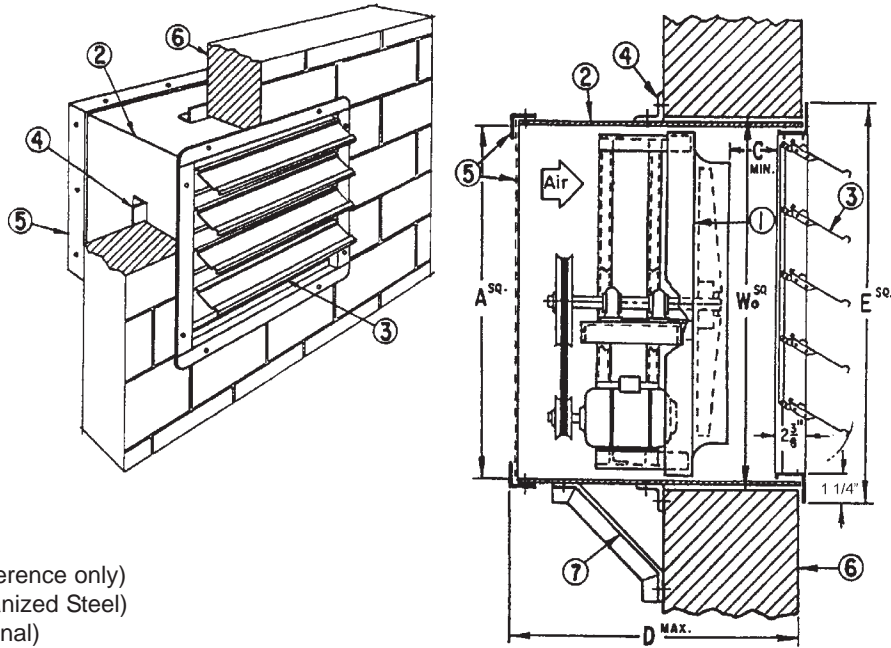
All dimensions in inches.

Material: Epoxy Coated Steel

| | |
|---|--|
|  PENNBARRY™ 1401 North Plano Road, Richardson, TX 75081 Ph: 972.234.3202 Fax: 972.497.0468 www.PennBarry.com | <h2 style="margin: 0;">Submittal Sheet</h2> <h3 style="margin: 0;">Breezeway - 'P' Series</h3> <h3 style="margin: 0;">Slip-In Fan Pak</h3> |
|---|--|

This drawing illustrates our understanding of order requirements. When approved, it represents details for fabrication, as such, PennBarry will not be responsible for revisions in the field or other changes after release for fabrication. Published and protected by PennBarry, Richardson, TX. All rights reserved. May not be reproduced partially or in full without permission from the publisher. No rights conveyed to manufacture partially or in full, use or sell either the method of construction represented or any invention in any way related thereto.

Breezeway Wall Sleeve with Rear Guard (Shown with Wall Shutter) Models: P/BC/BLL/BCH



Legend

1. Fan (shown for reference only)
2. Wall Sleeve (Galvanized Steel)
3. Wall Shutter (Optional)
4. Movable Perimeter Angle Frame
5. Removable Rear Guard
6. Wall (By Others)
7. Angle Support (By Others)

Notes:

1. Wall shutter shipped separately when required.
2. Guards should be installed when fans are located within seven feet of floor and/or working level, or within reach of personnel. (Review OSHA codes).


Dimensional Data

| | Size | | | | | | | | | | | | |
|------------------------------------|--------|--------|--------|--------|--------|--------|--------|--------|--------|--------|--------|--------|--------|
| | 10 | 12 | 16 | 18 | 20 | 24* | 24 | 30 | 36 | 42 | 48 | 54 | 60 |
| W_o^{SQ.} | 15 3/4 | 17 3/4 | 23 1/2 | 25 | 27 1/2 | 33 | 28 3/4 | 34 3/4 | 40 3/4 | 46 3/4 | 55 | 61 | 67 |
| A^{SQ.} | 15 1/4 | 17 1/4 | 23 | 24 1/2 | 27 | 32 1/2 | 28 1/4 | 34 1/4 | 40 1/4 | 46 1/4 | 54 1/4 | 60 1/4 | 66 1/4 |
| C^{MIN.} | 4 | 4 | 4 | 4 | 5 | 5 | 6 | 6 | 6 | 6 | 7 | 7 1/2 | 7 1/2 |
| D^{MAX.} | 18 3/4 | 18 3/4 | 22 3/4 | 23 | 24 3/4 | 30 3/4 | 30 3/4 | 35 | 38 | 44 | 47 1/2 | 48 | 48 |
| E | 17 1/4 | 19 1/2 | 25 1/4 | 26 3/4 | 29 1/4 | 34 3/4 | 30 1/2 | 36 1/2 | 42 1/2 | 48 1/2 | 56 1/2 | 62 1/2 | 68 1/2 |

*Type P only

All dimensions in inches.

Material: Galvanized Steel



PENNBARRY™

1401 North Plano Road, Richardson, TX 75081
Ph: 972.234.3202 Fax: 972.497.0468
www.PennBarry.com

Submittal Sheet

Breezeway - Models P/BC/BLL/BCH

Wall Sleeve with Shutter and Rear Guard

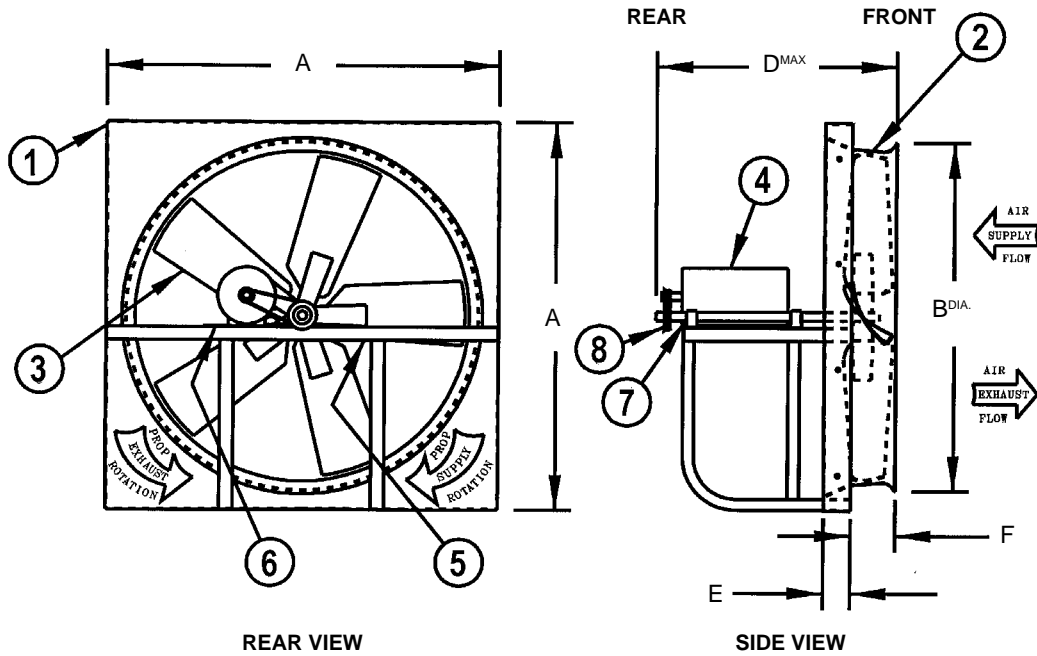
Sizes 10 through 60

This drawing illustrates our understanding of order requirements. When approved, it represents details for fabrication, as such, PennBarry will not be responsible for revisions in the field or other changes after release for fabrication. Published and protected by PennBarry, Richardson, TX. All rights reserved. May not be reproduced partially or in full without permission from the publisher. No rights conveyed to manufacture partially or in full, use or sell either the method of construction represented or any invention in any way related thereto.

Form ES-WMC, Rev. 1
Revised December 2005

Breezeway

Model: BHH - Sizes 24 through 48



Legend

- | | |
|---------------------------|----------------------------|
| 1. Galvanized Steel Panel | 5. U-Channel Support Frame |
| 2. Venturi Orifice | 6. Motor Mounting Plate |
| 3. Fan Blade | 7. Fan Shaft & Bearings |
| 4. Ball Bearing Motor | 8. Belt & Cast Pulleys |

Dimensional Data

| Model | A | B ^{DIA.} | D ^{MAX.} | E | F |
|---------------|----|-------------------|-------------------|---|---|
| BHH24B | 32 | 25 1/2 | 26 | 3 | 5 |
| BHH30B | 38 | 31 1/2 | 26 | 3 | 5 |
| BHH36B | 44 | 37 1/2 | 27 | 3 | 5 |
| BHH42B | 50 | 43 1/2 | 27 | 3 | 5 |
| BHH48B | 56 | 49 1/2 | 27 | 3 | 5 |

Notes: 1. Guard should be installed when fans are located within seven feet of floor and/or working level or within reach of personnel. (Review OSHA codes for specific requirements.) All dimensions in inches.
 2. Standard factory assembly is exhaust. Supply applications must be specified at time of order.

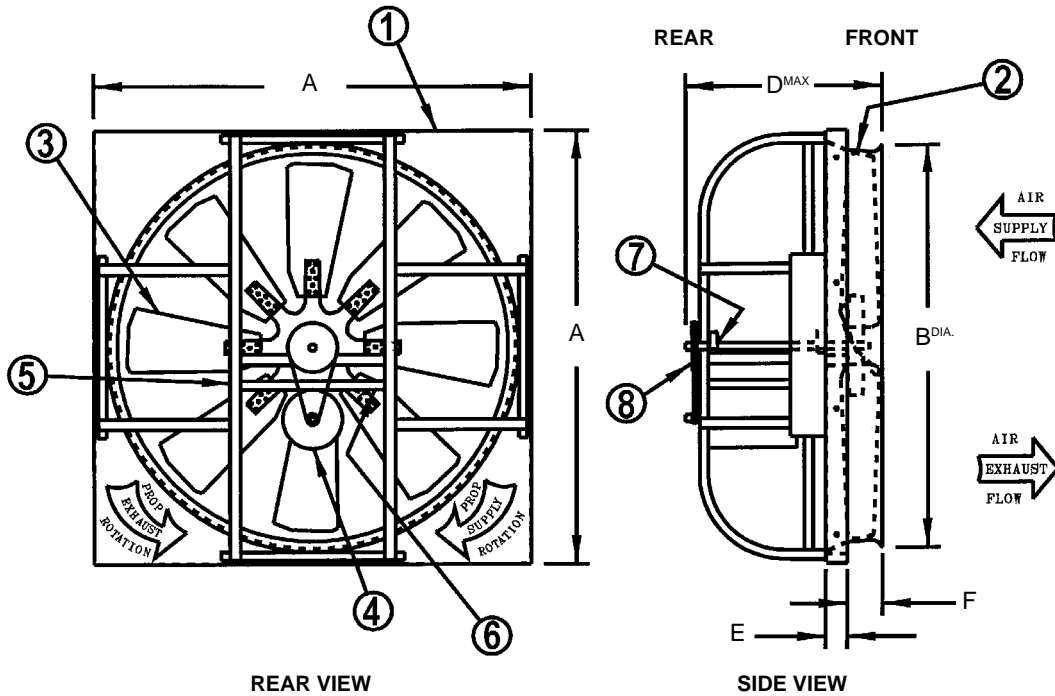
Material: Galvanized Steel

| | |
|---|---|
| <p style="margin: 0;">PENNBARRY™</p> <p style="margin: 0;">1401 North Plano Road, Richardson, TX 75081 Ph: 972.234.3202 Fax: 972.497.0468 www.PennBarry.com</p> | <h2 style="margin: 0;">Submittal Sheet</h2> <h3 style="margin: 0;">Breezeway - BHH Series</h3> <p style="margin: 0;">Fabricated Steel Propellers Exhaust and Supply Belt Drive</p> |
|---|---|

This drawing illustrates our understanding of order requirements. When approved, it represents details for fabrication, as such, PennBarry will not be responsible for revisions in the field or other changes after release for fabrication. Published and protected by PennBarry, Richardson, TX. All rights reserved. May not be reproduced partially or in full without permission from the publisher. No rights conveyed to manufacture partially or in full, use or sell either the method of construction represented or any invention in any way related thereto.

Breezeway

Model: BHH - Sizes 54 and 60



Legend

- | | |
|---------------------------|----------------------------|
| 1. Galvanized Steel Panel | 5. U-Channel Support Frame |
| 2. Venturi Orifice | 6. Motor Mounting Plate |
| 3. Fan Blade | 7. Fan Shaft & Bearings |
| 4. Ball Bearing Motor | 8. Belt & Cast Pulleys |

Dimensional Data

| Model | A | B ^{DIA.} | D ^{MAX.} | E | F |
|---------------|----|-------------------|-------------------|---|---|
| BHH54B | 62 | 55 1/2 | 35 | 3 | 5 |
| BHH60B | 68 | 61 1/2 | 35 | 3 | 5 |

- Notes:** 1. Guard should be installed when fans are located within seven feet of floor and/or working level or within reach of personnel. (Review OSHA codes for specific requirements.)
 2. Standard factory assembly is exhaust. Supply applications must be specified at time of order.

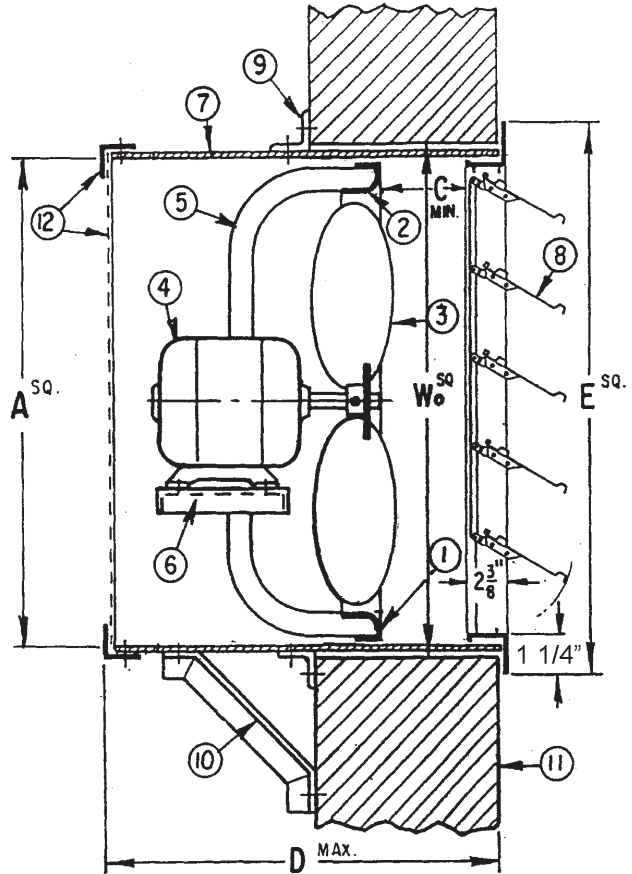
All dimensions in inches.

Material: Galvanized Steel

| | |
|---|--|
| <p style="font-weight: bold; margin: 0;">PENN BARRY™</p> <p style="font-size: small; margin: 0;">1401 North Plano Road, Richardson, TX 75081 Ph: 972.234.3202 Fax: 972.497.0468 www.PennBarry.com</p> | <h2 style="margin: 0;">Submittal Sheet</h2> <h3 style="margin: 0;">Breezeway - BHH Series</h3> <h4 style="margin: 0;">Fabricated Steel Propellers</h4> <h4 style="margin: 0;">Exhaust and Supply</h4> <h4 style="margin: 0;">Belt Drive</h4> |
|---|--|

This drawing illustrates our understanding of order requirements. When approved, it represents details for fabrication, as such, PennBarry will not be responsible for revisions in the field or other changes after release for fabrication. Published and protected by PennBarry, Richardson, TX. All rights reserved. May not be reproduced partially or in full without permission from the publisher. No rights conveyed to manufacture partially or in full, use or sell either the method of construction represented or any invention in any way related thereto.

Breezex Wall Sleeve with Rear Guard Model: BX



Legend

1. Epoxy Coated Steel Panel
2. Venturi Orifice
3. Fan Blade
4. Motor
5. Welded Tubular Support Frame
6. Welded Motor Mounting Frame
7. Wall Sleeve
8. Wall Shutter (Optional)
9. Movable Perimeter Angle Frame
10. Angle Supports (By Others)
11. Wall (By Others)
12. Rear Guard (Removable)

Dimensional Data

| | Size | | | | | |
|------------------------------------|--------|--------|--------|--------|--------|--------|
| | BX12 | BX14 | BX16 | BX18 | BX20 | BX24 |
| W₀^{SQ.} | 15 1/4 | 17 1/4 | 19 3/4 | 21 3/4 | 23 3/4 | 27 3/4 |
| A^{SQ.} | 14 3/4 | 16 3/4 | 19 1/4 | 21 1/4 | 23 1/4 | 27 1/4 |
| C^{MIN.} | 4 | 4 | 4 | 4 | 4 | 4 |
| D^{MAX.} | 23 1/2 | 23 1/2 | 24 | 24 1/4 | 25 | 25 |
| E^{SQ.} | 17 1/2 | 19 1/2 | 21 1/2 | 23 1/2 | 25 1/4 | 29 1/4 |

Material: Galvanized Steel

All dimensions in inches.



PENN BARRY™

1401 North Plano Road, Richardson, TX 75081

Ph: 972.234.3202 Fax: 972.497.0468

www.PennBarry.com

Submittal Sheet

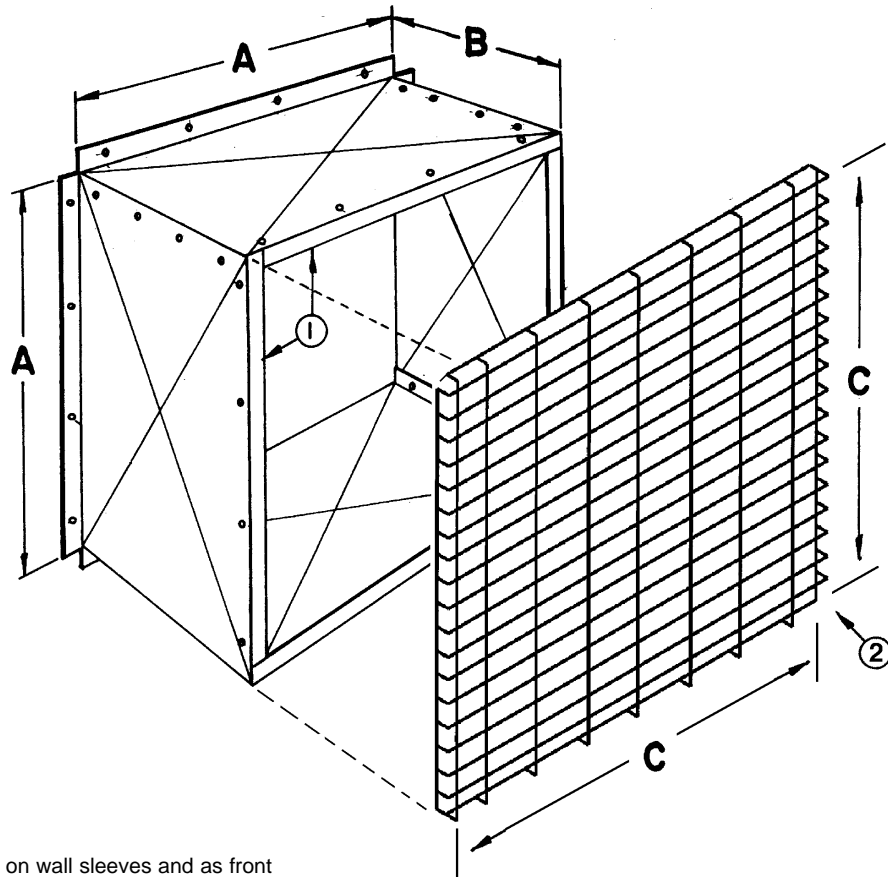
Breezex Wall Sleeve

Exhaust and Supply Fans Direct Drive

This drawing illustrates our understanding of order requirements. When approved, it represents details for fabrication, as such, PennBarry will not be responsible for revisions in the field or other changes after release for fabrication. Published and protected by PennBarry, Richardson, TX. All rights reserved. May not be reproduced partially or in full without permission from the publisher. No rights conveyed to manufacture partially or in full, use or sell either the method of construction represented or any invention in any way related thereto.

Breezeway Rear Guard

Models: BC/BLL/BCH - Sizes 24 through 60



Legend

- 1. Sheet Metal Back Housing
- 2. *Screen Guard Assembly

*Screen guard assembly also used on wall sleeves and as front guards. Screen is in two pieces on sizes 54 and 60.

Dimensional Data

| | Size | | | | | | |
|----------|---------|---------|---------|---------|--------|--------|--------|
| | 24 | 30 | 36 | 42 | 48 | 54 | 60 |
| A | 28 3/16 | 34 3/16 | 40 3/16 | 46 3/16 | 54 1/4 | 60 1/4 | 66 1/4 |
| B | 13 1/2 | 16 1/2 | 16 1/2 | 20 1/2 | 25 | 25 | 25 |
| C | 28 5/8 | 34 5/8 | 40 5/8 | 46 5/8 | 54 3/4 | 60 3/4 | 66 3/4 |

Note: Guards should be installed when fans are located within seven feet of floor and/or working level or within reach of personnel. (Review OSHA codes for specific requirements).

All dimensions in inches.

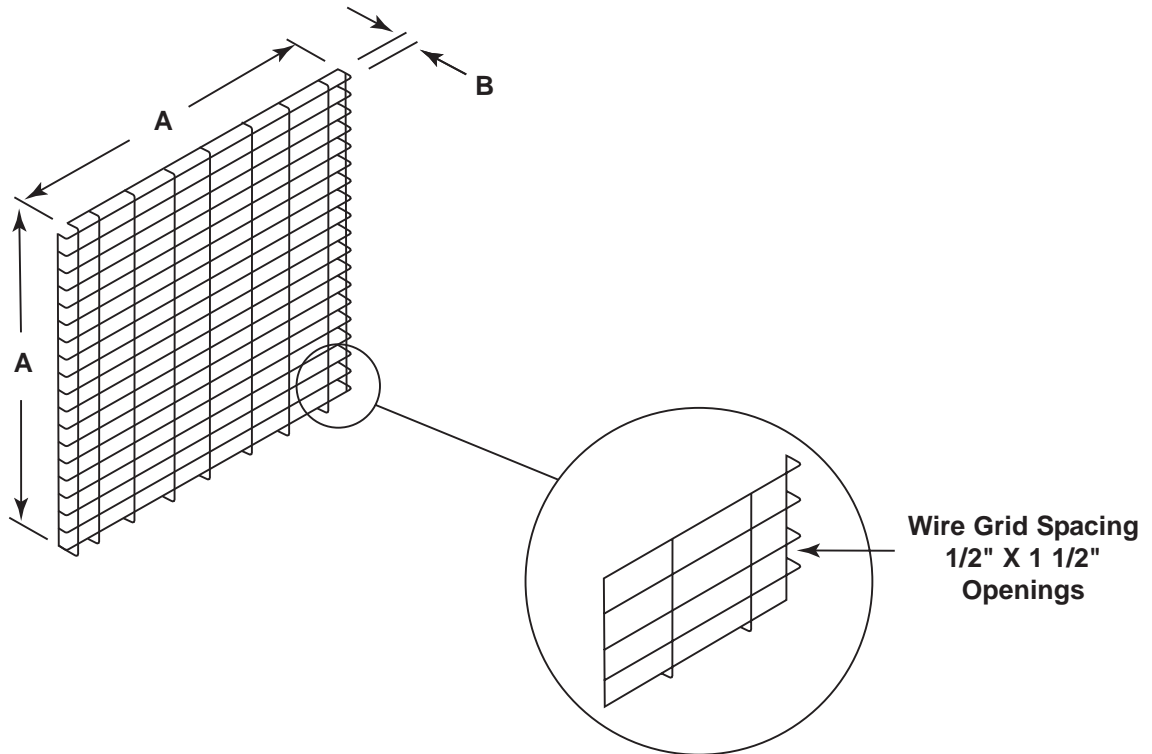
Material: Galvanized Steel

| | |
|---|---|
| <p style="text-align: center; margin: 0;">PENNBARRY™</p> <p style="text-align: center; margin: 0;">1401 North Plano Road, Richardson, TX 75081 Ph: 972.234.3202 Fax: 972.497.0468 www.PennBarry.com</p> | <h2 style="margin: 0;">Submittal Sheet</h2> <h3 style="margin: 0;">Breezeway - BC/BLL/BCH</h3> <h4 style="margin: 0;">Rear Guard</h4> |
|---|---|

This drawing illustrates our understanding of order requirements. When approved, it represents details for fabrication, as such, PennBarry will not be responsible for revisions in the field or other changes after release for fabrication. Published and protected by PennBarry, Richardson, TX. All rights reserved. May not be reproduced partially or in full without permission from the publisher. No rights conveyed to manufacture partially or in full, use or sell either the method of construction represented or any invention in any way related thereto.

Breezeway Front Guard for Wall Sleeve

Models: BHM/BHH



Dimensional Data


| | Size | | | | | | |
|----------|--------|--------|--------|--------|--------|----------|----------|
| | 24 | 30 | 36 | 42 | 48 | 54 | 60 |
| A | 32 3/8 | 38 3/8 | 44 3/8 | 50 3/8 | 56 3/8 | 62 1/2 * | 68 1/2 * |
| B | 1 1/2 | 1 1/2 | 1 1/2 | 1 1/2 | 1 1/2 | 1 1/2 | 1 1/2 |

*BHH only

All dimensions in inches.

- Notes:**
1. Guards should be installed when fans are located within seven feet of floor and/or working level or within reach of personnel. (Review OSHA codes for section requirements).
 2. See separate submittal drawings (ES-WMC & ES-SHLD) for installed locations.
 3. Screen is two-pieces on sizes 54 and 60.

Material: Galvanized Steel

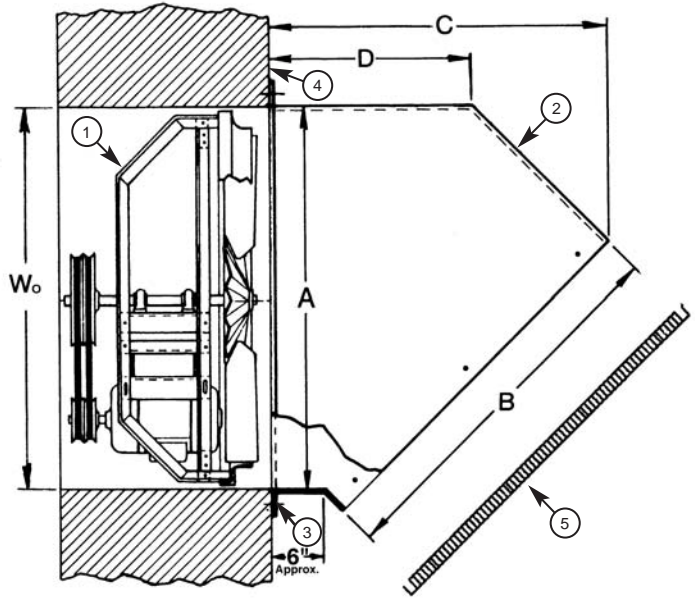
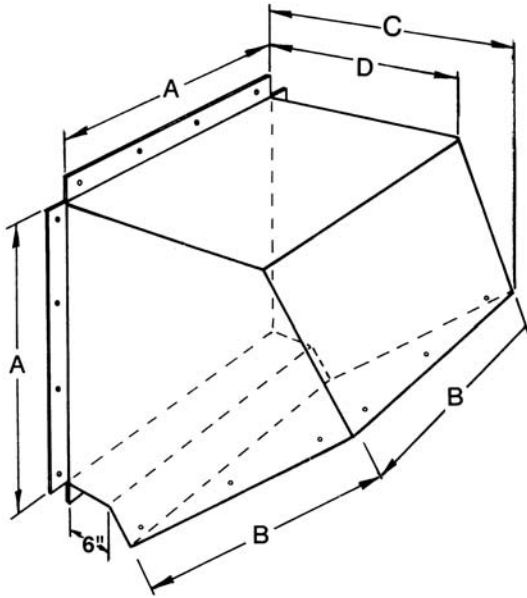
| | |
|--|--|
|  PENNBARRY™ 1401 North Plano Road, Richardson, TX 75081 Ph: 972.234.3202 Fax: 972.497.0468 www.PennBarry.com | <h2 style="margin: 0;">Submittal Sheet</h2> <h3 style="margin: 0;">Breezeway - BHM/BHH</h3> <h4 style="margin: 0;">Wall Mounting Sleeve Guard/Weathershield Guard</h4> |
|--|--|

This drawing illustrates our understanding of order requirements. When approved, it represents details for fabrication, as such, PennBarry will not be responsible for revisions in the field or other changes after release for fabrication. Published and protected by PennBarry, Richardson, TX. All rights reserved. May not be reproduced partially or in full without permission from the publisher. No rights conveyed to manufacture partially or in full, use or sell either the method of construction represented or any invention in any way related thereto.

Form ES-WMCG, Rev. 1
Revised December 2005

Breezeway Weathershield with Front Guard

Models: P/BC/BLL/BCH



Legend

- | | |
|--------------------------------------|----------------------|
| 1. Breezeway Fan (P, BC, BLL or BCH) | 4. Wall (By Others) |
| 2. Weathershield | 5. Guard (Removable) |
| 3. Mounting Flange | |

Dimensional Data

| | Size | | | | | | | | | | | | |
|----------------------|--------|----------|--------|----------|---------|--------|--------|--------|--------|--------|--------|--------|--------|
| | 10 | 12 | 16 | 18 | 20 | 24* | 24 | 30 | 36 | 42 | 48 | 54 | 60 |
| W₀ | 15 3/4 | 17 3/4 | 23 1/2 | 25 | 27 1/2 | 33 1/4 | 28 3/4 | 34 3/4 | 40 3/4 | 46 3/4 | 55 | 61 | 67 |
| A | 15 1/4 | 17 1/4 | 23 | 24 1/2 | 27 | 32 3/4 | 28 1/4 | 34 1/4 | 40 1/4 | 46 1/4 | 54 1/4 | 60 1/4 | 66 1/4 |
| B | 15 1/4 | 17 1/4 | 23 | 24 1/2 | 27 | 32 3/4 | 28 1/4 | 34 1/4 | 40 1/4 | 46 1/4 | 54 1/4 | 60 1/4 | 66 1/4 |
| C | 18 3/8 | 19 11/16 | 23 3/4 | 24 13/16 | 26 9/16 | 30 1/2 | 27 3/8 | 31 3/4 | 36 5/8 | 41 | 45 3/4 | 49 5/8 | 54 5/8 |
| D | 12 3/8 | 13 1/8 | 15 1/2 | 16 1/8 | 17 1/4 | 19 1/2 | 17 5/8 | 20 1/4 | 23 3/8 | 25 7/8 | 28 3/8 | 31 | 34 1/4 |

*Type P only

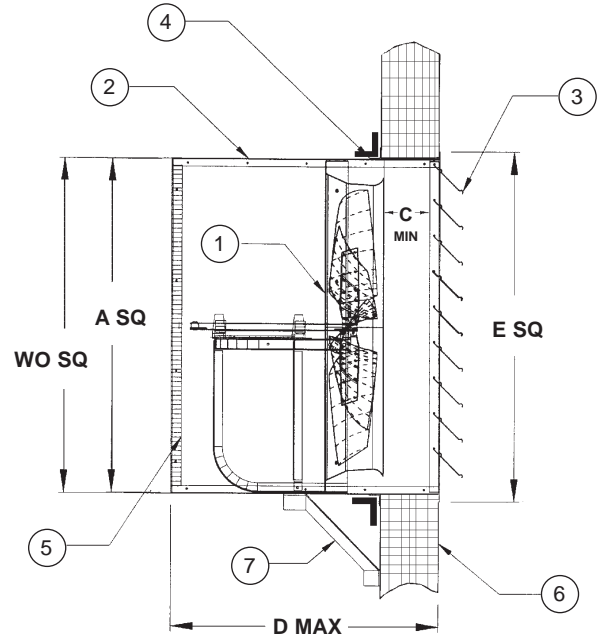
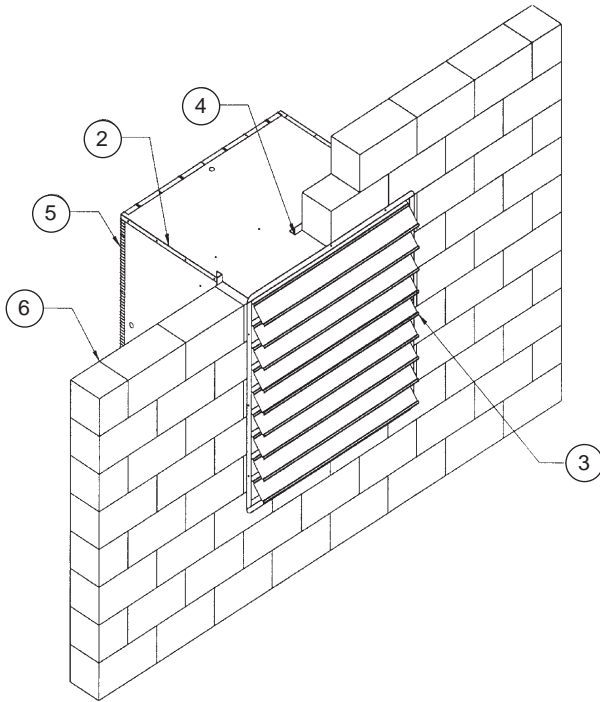
All dimensions in inches.

Material: Galvanized

| | |
|--|--|
| <p style="margin: 0;">PENNBARRY™</p> <p style="margin: 0;">1401 North Plano Road, Richardson, TX 75081 Ph: 972.234.3202 Fax: 972.497.0468 www.PennBarry.com</p> | <h2 style="margin: 0;">Submittal Sheet</h2> <h3 style="margin: 0;">Breezeway - P/BC/BLL/BCH</h3> <h3 style="margin: 0;">Weathershield</h3> |
|--|--|

This drawing illustrates our understanding of order requirements. When approved, it represents details for fabrication, as such, PennBarry will not be responsible for revisions in the field or other changes after release for fabrication. Published and protected by PennBarry, Richardson, TX. All rights reserved. May not be reproduced partially or in full without permission from the publisher. No rights conveyed to manufacture partially or in full, use or sell either the method of construction represented or any invention in any way related thereto.

Breezeway Wall Sleeve with Rear Guard (Shown with Wall Shutter) Models: BHM/BHH



Legend

- | | |
|-------------------------------------|------------------------------|
| 1. Fan (Shown For Reference Only) | 5. Guard (Removable) |
| 2. Wall Sleeve (Galvanized Steel) | 6. Wall |
| 3. Recessed Wall Shutter (Optional) | 7. Angle Support (By Others) |
| 4. Movable Perimeter Angle Frame | |

Note: *Wall Shutter shipped separately when required.

Dimensional Data

| | Size | | | | | | |
|------------------------|--------|--------|--------|--------|--------|--------|--------|
| | 24 | 30 | 36 | 42 | 48 | 54* | 60* |
| W_O | 32 3/4 | 38 3/4 | 44 3/4 | 50 3/4 | 57 | 63 | 69 |
| A^{SQ} | 32 1/4 | 38 1/4 | 44 1/4 | 50 1/4 | 56 1/4 | 62 3/8 | 68 3/8 |
| C^{MIN} | 6 | 6 | 6 | 6 | 7 | 7 | 7 |
| D^{MAX} | 36 | 39 | 41 | 41 | 41 | 48 | 48 |
| E | 34 1/2 | 40 1/2 | 46 1/2 | 52 1/2 | 58 1/2 | 64 1/2 | 70 1/2 |

*BHH only.

All dimensions in inches.

- Notes:** 1. Guards should be installed when fans are located within seven feet of floor and/or working level or within reach of personnel. (Review OSHA codes for specific details.)
 2. Std. Factory shipment is knocked down (kd). Assembled part must be specified at time of order.
 3. "E" dimension includes flange.

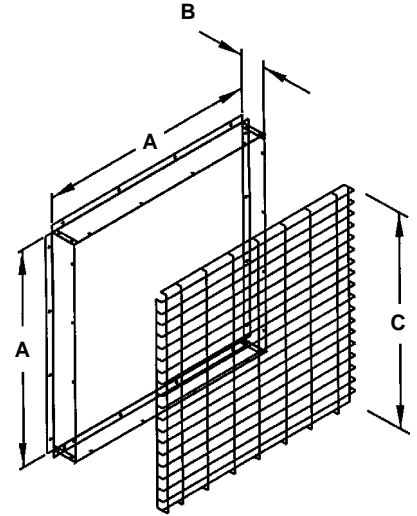
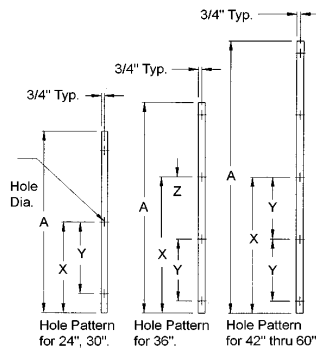
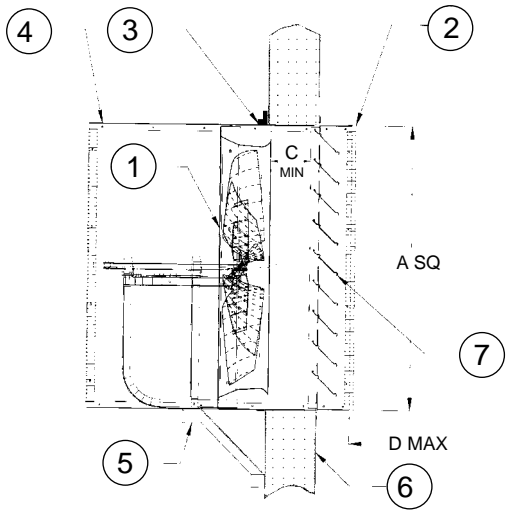
Material: Galvanized Steel

| | |
|--|--|
| <p style="margin: 0;">PENNBARRY™</p> <p style="margin: 0;">1401 North Plano Road, Richardson, TX 75081 Ph: 972.234.3202 Fax: 972.497.0468 www.PennBarry.com</p> | <h2 style="margin: 0;">Submittal Sheet</h2> <h3 style="margin: 0;">Breezeway - BHM/BHH</h3> <h4 style="margin: 0;">Wall Mounting Sleeve</h4> |
|--|--|

This drawing illustrates our understanding of order requirements. When approved, it represents details for fabrication, as such, PennBarry will not be responsible for revisions in the field or other changes after release for fabrication. Published and protected by PennBarry, Richardson, TX. All rights reserved. May not be reproduced partially or in full without permission from the publisher. No rights conveyed to manufacture partially or in full, use or sell either the method of construction represented or any invention in any way related thereto.

Breezeway Front Guard

Models: BC/BLL/BCH/BHM/BHH



Legend

- | | |
|--|---|
| <ul style="list-style-type: none"> 1. Fan (shown for reference only) 2. Front Guard 3. Perimeter Angle (part of Wall Mounting Sleeve) | <ul style="list-style-type: none"> 4. Wall Mounting Sleeve (shown for reference only) 5. Angle Support (By Others) 6. Wall 7. Wall Shutter (Optional) |
|--|---|

Dimensional Data

| | Size | | | | | | |
|-----------------------|---------|---------|---------|---------|---------|----------|----------|
| | 24 | 30 | 36 | 42 | 48 | 54 * | 60 * |
| A^{SQ} | 32 1/4 | 38 1/4 | 44 1/4 | 50 1/4 | 56 1/4 | 62 3/8 | 68-3/8 |
| B | 5 | 5 | 5 | 5 | 5 | 5 | 5 |
| C | 32 3/8 | 38 3/8 | 44 3/8 | 50 3/8 | 56 3/8 | 62 1/2 | 68 1/2 |
| Screen | 1 Piece | 1 Piece | 1 Piece | 1 Piece | 1 Piece | 2 Pieces | 2 Pieces |

*BHH only.

All dimensions in inches.

Hole Pattern Dimensional Data

| | Size | | | | | | |
|-----------------|--------|--------|--------|--------|--------|---------|---------|
| | 24 | 30 | 36 | 42 | 48 | 54 | 60 |
| A | 32 1/4 | 38 3/4 | 44 1/4 | 50 1/4 | 56 1/4 | 62 3/8 | 68 3/8 |
| X | 16 1/8 | 19 1/8 | 22 1/8 | 25 1/8 | 28 1/8 | 31 3/16 | 34 3/16 |
| Y | 14 | 15 | 13 | 10 1/2 | 12 | 15 | 15 |
| Z | N/A | N/A | 6 1/2 | N/A | N/A | N/A | N/A |
| Hole Dia | 17/64 | 17/64 | 5/16 | 5/16 | 5/16 | 5/16 | 5/16 |
| # Holes | 3 | 3 | 4 | 5 | 5 | 5 | 5 |

- Notes:**
1. Guards should be installed when fans are located within seven feet of floor and/or working level or within reach of personnel. (Review OSHA codes).
 2. Standard Factory shipment is knocked down (kd). Assembled part must be specified at time of order.
 3. Guards have a 1.50" flange.

All dimensions in inches.

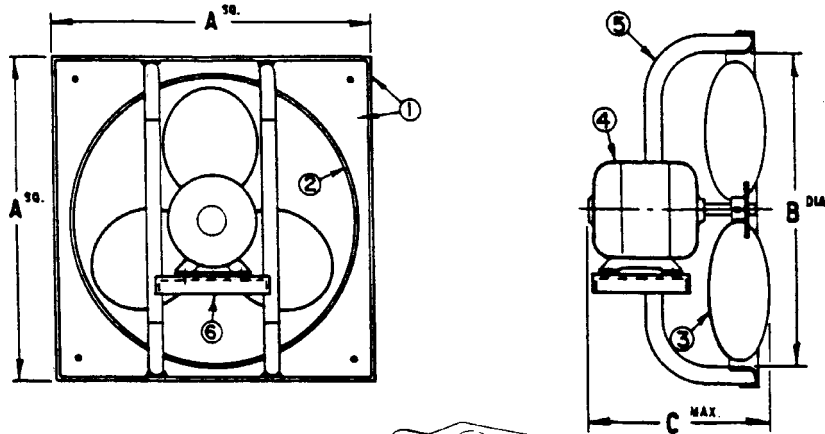
Material: Galvanized Steel Housing

| | |
|---|---|
| <p style="font-weight: bold; margin-top: 10px;">PENN BARRY™</p> <p>1401 North Plano Road, Richardson, TX 75081 Ph: 972.234.3202 Fax: 972.497.0468 www.PennBarry.com</p> | <h2 style="margin: 0;">Submittal Sheet</h2> <h3 style="margin: 0;">Breezeway - BHM/BHH</h3> <h4 style="margin: 0;">Front Guard</h4> |
|---|---|

This drawing illustrates our understanding of order requirements. When approved, it represents details for fabrication, as such, PennBarry will not be responsible for revisions in the field or other changes after release for fabrication. Published and protected by PennBarry, Richardson, TX. All rights reserved. May not be reproduced partially or in full without permission from the publisher. No rights conveyed to manufacture partially or in full, use or sell either the method of construction represented or any invention in any way related thereto.

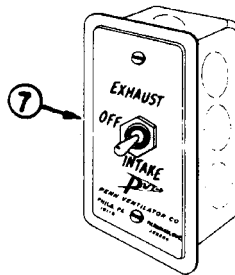
Breezex Reversible Fan

Model: BX



Legend

1. Epoxy Coated Steel Panel
2. Venturi Orifice
3. Fan Blade
4. Reversible Motor
5. Welded Tubular Support Frame
6. Welded Motor Mounting Frame
7. Reversing Switch (Standard)



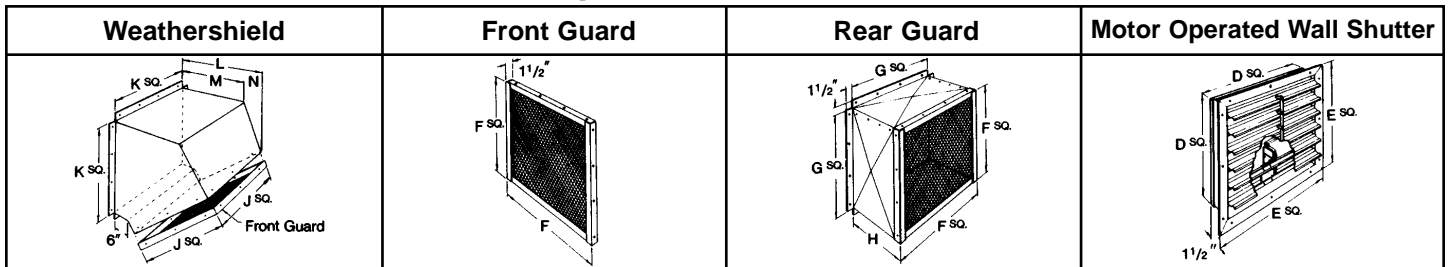
Notes: Guards should be installed when fans are located within seven feet of floor and/or working level or within reach of personnel. Review OSHA codes for specific requirements.

Dimensional Data

| Breezex | | | | | Accessories | | | | | | | | | | |
|---------|--------|--------|-------------------|---------------|-----------------------------|------------------|------------------|------------------|------------------|--------|------------------|------------------|--------|--------|-------|
| Model | A | B | C ^{MAX.} | Ship Wt. Lbs. | Motor Operated Wall Shutter | | Front Guard | Rear Guard | | | Weathershield | | | | |
| | | | | | D ^{sq.} | E ^{sq.} | F ^{sq.} | F ^{sq.} | G ^{sq.} | H | K ^{sq.} | J ^{sq.} | L | M | N |
| BX12Q | 14 1/2 | 12 3/4 | 12 | 24 | 14 1/2 | 17 | 15 1/8 | 15 1/8 | 14 3/4 | 12 1/2 | 15 1/4 | 15 7/8 | 17 7/8 | 12 3/8 | 5 1/2 |
| BX14Q | 16 1/2 | 14 3/4 | 12 | 25 | 16 1/2 | 19 | 17 1/8 | 17 1/8 | 16 3/16 | 12 1/2 | 16 1/4 | 17 1/4 | 19 | 12 3/4 | 6 1/4 |
| BX16Q | 19 | 16 3/4 | 12 1/2 | 29 | 19 | 21 1/2 | 19 5/8 | 19 3/8 | 18 15/16 | 12 1/2 | 19 | 19 3/4 | 20 | 13 7/8 | 6 1/8 |
| BX16T | 19 | 16 3/4 | 12 1/2 | 29 | | | | | | | | | | | |
| BX18Q | 21 | 18 3/4 | 12 3/4 | 33 | 21 | 23 1/2 | 21 5/8 | 21 3/8 | 21 15/16 | 12 1/2 | 21 | 21 3/4 | 22 3/8 | 14 1/4 | 8 1/8 |
| BX18T | 21 | 18 3/4 | 12 1/2 | 33 | | | | | | | | | | | |
| BX20Q | 23 | 20 3/4 | 12 1/2 | 35 | 23 | 25 1/2 | 23 3/4 | 23 3/4 | 22 15/16 | 12 1/2 | 23 | 23 3/4 | 23 1/4 | 15 1/2 | 7 3/4 |
| BX20T | 23 | 20 3/4 | 13 1/2 | 35 | | | | | | | | | | | |
| BX24Q | 27 | 24 3/4 | 13 1/8 | 43 | 27 | 29 1/2 | 27 3/4 | 27 3/4 | 26 15/16 | 13 1/2 | 27 | 27 3/4 | 26 1/8 | 17 1/4 | 8 7/8 |
| BX24T | 27 | 24 3/4 | 13 1/2 | 43 | | | | | | | | | | | |

All dimensions in inches.

Optional Accessories



PENNBARRY™

1401 North Plano Road, Richardson, TX 75081

Ph: 972.234.3202 Fax: 972.497.0468

www.PennBarry.com

Submittal Sheet

Breezex Reversible Fan

Exhaust and Supply Direct Drive

This drawing illustrates our understanding of order requirements. When approved, it represents details for fabrication, as such, PennBarry will not be responsible for revisions in the field or other changes after release for fabrication. Published and protected by PennBarry, Richardson, TX. All rights reserved. May not be reproduced partially or in full without permission from the publisher. No rights conveyed to manufacture partially or in full, use or sell either the method of construction represented or any invention in any way related thereto.

Form ES-BX, Rev. 1

Revised December 2005