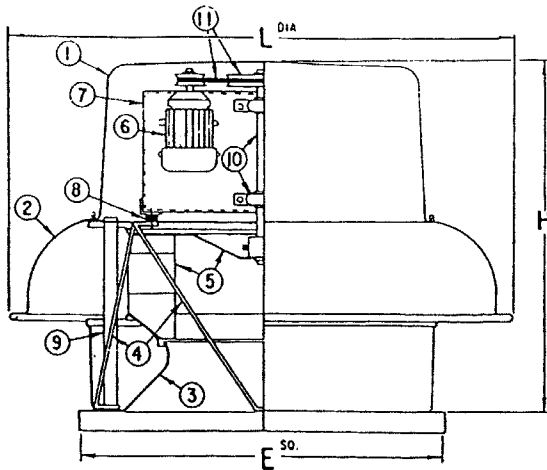
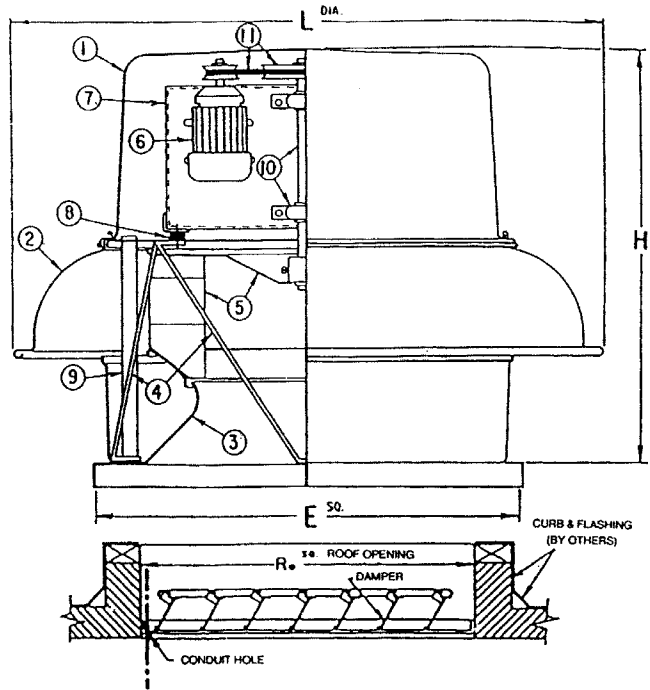


Domex

Belt Drive Models DX11B - DX14B



Belt Drive Models DX16B - DX36B



Legend

- | | |
|--------------------------|--------------------------|
| 1. Motor Dome* | 7. Motor Support Plate |
| 2. Discharge Apron* | 8. Anti Vibration Mounts |
| 3. Spun Inlet Venturi | 9. Conduit Guide |
| 4. Tri-Strut™ Brace | 10. Fan Shaft & Bearings |
| 5. Centrifugal Fan Wheel | 11. Belt & Pulleys |
| 6. Motor• | |

Dimensional Data

	Belt Drive Models							
	DX11B	DX12B	DX14B	DX16B	DX18B	DX24B	DX30B	DX36B
L ^{DIA}	28 1/2	33 1/2	33 1/2	39	39	46	53 1/2	66
H	25 7/16	29	29	31	31	33 1/2	35 1/2	41
E ^{sq.}	20 1/2	24 3/4	24 3/4	28 1/2	28 1/2	33 1/2	36 1/2	44 1/2
Ro ^{sq.}	16	16	16	20	20	25	28	36

† Outside dimension of curb should be 1 1/2" less than 'E' dimension

• Motor Dome and Discharge Apron 1 piece on models DX12B & DX14B.

* At PennBarry's option, large frame motors may be removed after testing and shipped separately.

All dimensions in inches.

Material: Spun Aluminum Housing



PENNBARRY™

1401 North Plano Road, Richardson, TX 75081

Ph: 972.234.3202 Fax: 972.497.0468

www.PennBarry.com

Submittal Sheet Domex - Belt Drive Spun Aluminum Centrifugal Roof Exhausters

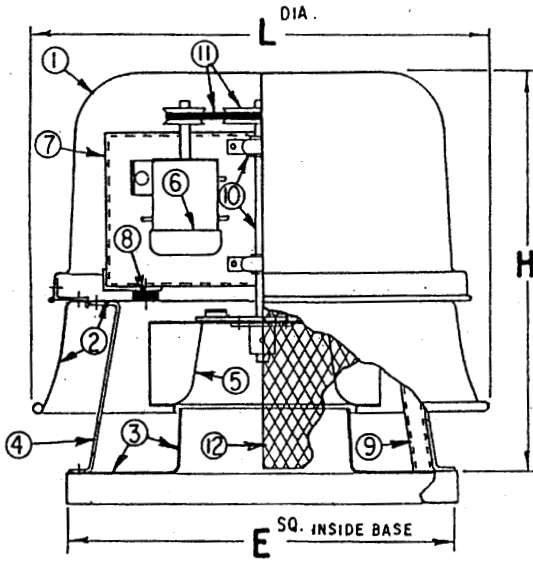
This drawing illustrates our understanding of order requirements. When approved, it represents details for fabrication, as such, PennBarry will not be responsible for revisions in the field or other changes after release for fabrication. Published and protected by PennBarry, Richardson, TX. All rights reserved. May not be reproduced partially or in full without permission from the publisher. No rights conveyed to manufacture partially or in full, use or sell either the method of construction represented or any invention in any way related thereto.

Form ES-DMX2

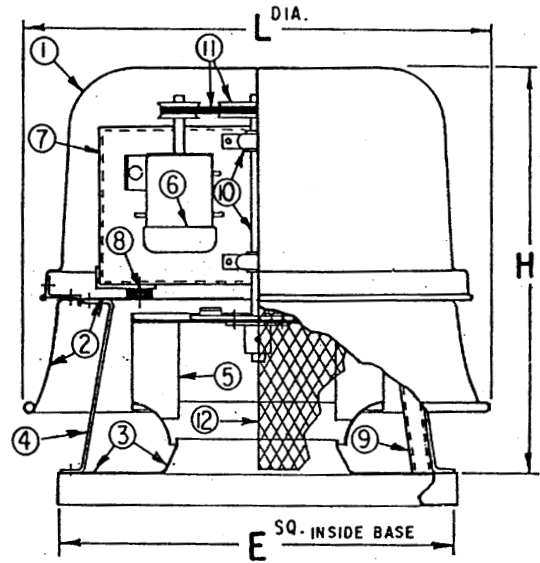
Revised March 2005

Domex - Belt Drive

DX06B



DX08B



Legend

- | | |
|------------------------------|--------------------------|
| 1. Motor Dome | 7. Motor & Bearing Frame |
| 2. Discharge Apron/Top Plate | 8. Anti Vibration Mounts |
| 3. Base/Venturi Inlet | 9. Conduit Guide |
| 4. Structural Support Braces | 10. Fan Shaft & Bearings |
| 5. Centrifugal Fan Wheel | 11. Belt & Pulleys |
| 6. Motor | 12. Aluminum Bird Screen |

Dimensional Data

	Belt Drive Models	
	DX06B	DX08B
L ^{DIA.}	21 11/16	21 11/16
H	18 13/16	18 13/16
E ^{† SQ.}	18 1/2	18 1/2
Ro ^{SQ.}	11 1/2	11 1/2

† Outside dimension of curb should be 1 1/2" less than 'E' dimension.

All dimensions in inches.

Material: Spun Aluminum Housing



PENNBARRY™

1401 North Plano Road, Richardson, TX 75081

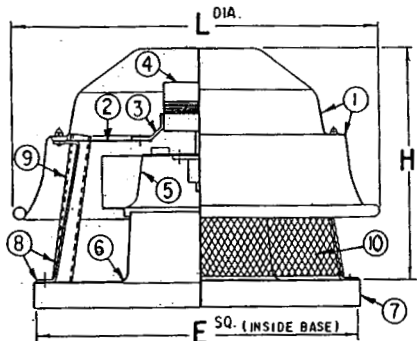
Ph: 972.234.3202 Fax: 972.497.0468

www.PennBarry.com

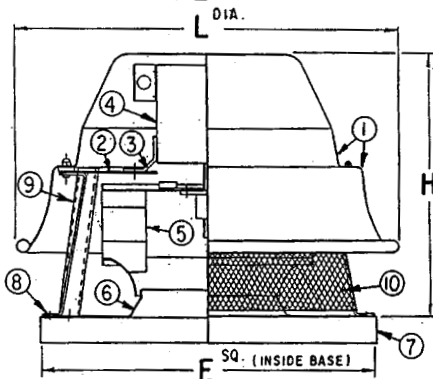
Submittal Sheet Domex - Belt Drive Spun Aluminum Centrifugal Roof Exhausters

Domex - Direct Drive

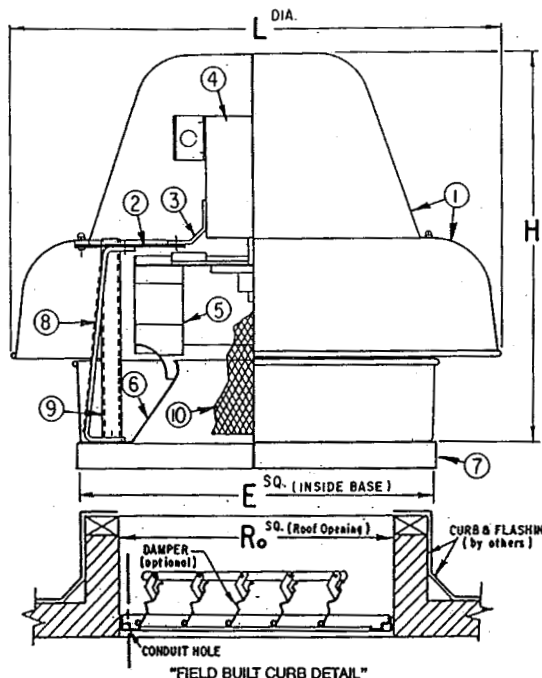
DX06, 8,
10 & 11



DX13



DX16



Legend

- | | |
|--|------------------------------|
| 1. Hood - Discharge Apron | 6. Spun Venturi |
| 2. Top Plate | 7. Mounting Base |
| 3. Motor Mounting Brackets | 8. Structural Support Braces |
| 4. Motor | 9. Conduit Guide |
| 5. Centrifugal Fan
(with Cooling Vanes) | 10. Aluminum Bird Screen |

Dimensional Data

	Direct Drive Models						
	DX06R	DX08SR	DX10SR	DX11VSR/Q	DX13VSR/Q	DX16VSR DX16Q1, Q2	DX18V
L ^{DIA.}	18 7/8	20 7/8	20 7/8	20 7/8	21 7/16	28 1/2	39
H	12 5/8	13 3/8	13 3/8	13 3/8	14 3/4	22 1/2	31
E ^{†SQ.}	18 1/2	18 1/2	18 1/2	18 1/2	18 1/2	20 1/2	28 1/2
Ro ^{SQ.}	9	9	11 1/2	11 1/2	11 1/2	16	20

† Outside dimension of curb should be 1 1/2" less than 'E' dimension.

All dimensions in inches.

Material: Spun Aluminum Housing



PENNBARRY™

1401 North Plano Road, Richardson, TX 75081
Ph: 972.234.3202 Fax: 972.497.0468
www.PennBarry.com

Submittal Sheet

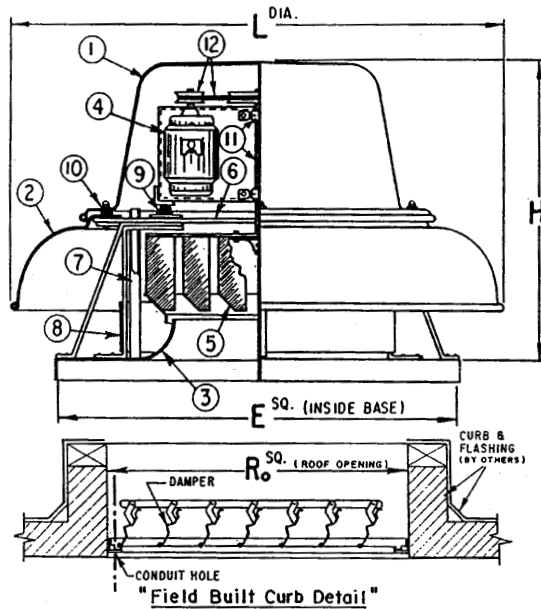
Domex - Direct Drive

Spun Aluminum Centrifugal Roof Exhausters

This drawing illustrates our understanding of order requirements. When approved, it represents details for fabrication, as such, PennBarry will not be responsible for revisions in the field or other changes after release for fabrication. Published and protected by PennBarry, Richardson, TX. All rights reserved. May not be reproduced partially or in full without permission from the publisher. No rights conveyed to manufacture partially or in full, use or sell either the method of construction represented or any invention in any way related thereto.

Form ES-DMX4
Revised March 2005

Domex - Belt Drive



Legend

- | | |
|--------------------------|-----------------------------|
| 1. Motor Dome | 7. Conduit Guide |
| 2. Discharge Apron | 8. Weather Baffle |
| 3. Spun Inlet Venturi | 9. Anti-Vibration Mounts |
| 4. Electric Motor* | 10. Main Fastening Assembly |
| 5. Centrifugal Fan Wheel | 11. Fan Shaft and Bearings |
| 6. Top Plate | 12. Belt and Pulley |

Dimensional Data

	KB420	JB48•	MB542•
L DIA.	63	73	98
H	38	45 1/2	50
E† SQ.	52 1/2	59	63 1/2
Ro SQ.	44	50	55

† Outside dimension of curb should be 1 1/2" less than 'E' dimension

All dimensions in inches.

• Motor Dome and Discharge Apron shipped separately.

* At PennBarry's option, large frame motors may be removed after testing and shipped separately.

Material: Spun Aluminum Housing



PENNBARRY™

1401 North Plano Road, Richardson, TX 75081

Ph: 972.234.3202 Fax: 972.497.0468

www.PennBarry.com

Submittal Sheet
Domex - Belt Drive
Spun Aluminum Centrifugal Roof Exhausters
High Capacity

This drawing illustrates our understanding of order requirements. When approved, it represents details for fabrication, as such, PennBarry will not be responsible for revisions in the field or other changes after release for fabrication. Published and protected by PennBarry, Richardson, TX. All rights reserved. May not be reproduced partially or in full without permission from the publisher. No rights conveyed to manufacture partially or in full, use or sell either the method of construction represented or any invention in any way related thereto.

Form ES-DMX
Revised March 2005