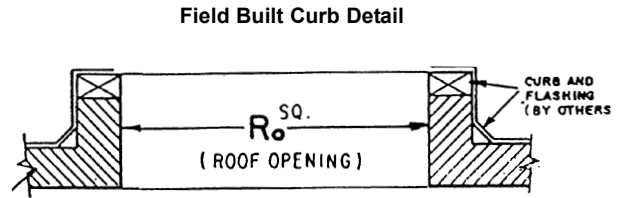
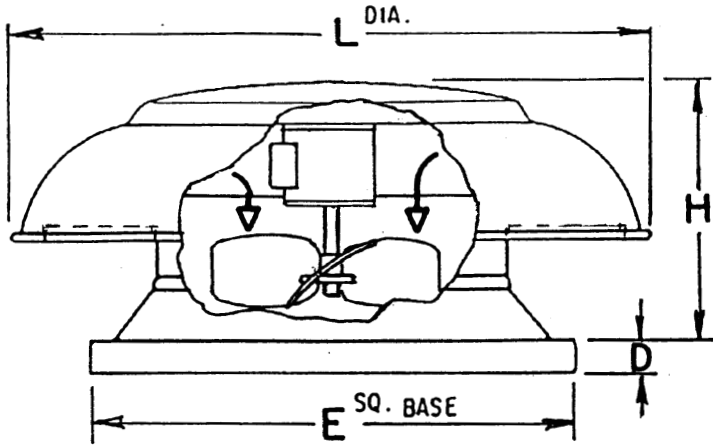


Domex Axial - Supply Model DAS - Direct Drive



Features, Advantages and Benefits

- Fabricated of rust-free spun aluminum to provide weather resistant durability.
- Unique energy saving vanes to reduce operating costs and increase air movement.
- Make-up fans efficiently balance air.
- Bird screen.
- Wire conduit for safe electrical connection.
- Most units may be wall or roof mounted.*
- Wiring compartments for safe, easy electrical installations.
- Filter adapter.

* **Note:** Wall mount applications not recommended for fans 30" or larger.

Dimensional Data

	Direct Drive	
	DAS14	DAS18
L ^{DIA.}	27 5/16	33 9/16
H	12 5/8	14 3/8
D	2	2
E ^{†SQ.}	21	26
R _o ^{SQ.}	16	20

† Outside dimension of curb should be 1 1/2" less than 'E' dimension.
All dimensions in inches.

Material: Spun Aluminum Housing



PENNBARRY™

1401 North Plano Road, Richardson, TX 75081

Ph: 972.234.3202 Fax: 972.497.0468

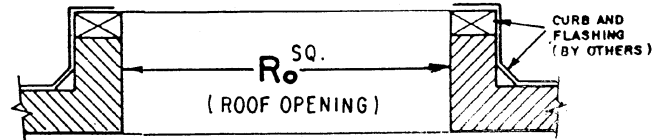
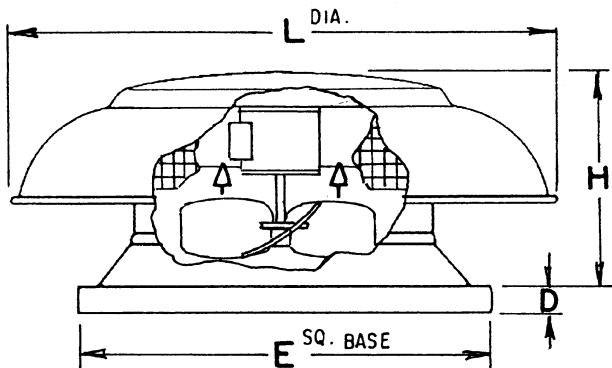
www.PennBarry.com

Submittal Sheet Domex Axial - Supply Spun Aluminum Axial Roof Ventilators Direct Drive

This drawing illustrates our understanding of order requirements. When approved, it represents details for fabrication, as such, PennBarry will not be responsible for revisions in the field or other changes after release for fabrication. Published and protected by PennBarry, Richardson, TX. All rights reserved. May not be reproduced partially or in full without permission from the publisher. No rights conveyed to manufacture partially or in full, use or sell either the method of construction represented or any invention in any way related thereto.

Form ES-DAS
Revised March 2005

Domex Axial - Exhaust Model DAE - Direct Drive



Features, Advantages and Benefits

- The internal structure was well designed to provide dependable support without obstructing air flow.
- Spun aluminum housing to provide weather resistant durability.
- A wide variety of motor HP ratings to provide a large range of air movement capacities.
- Compact size to make handling and installation quick and easy.
- Efficient and quiet blades pull more air under static pressure without overloading the motor.
- Wire conduit to provide a clear channel for electrical connections. Wiring compartments for safe, easy electrical connections.

* **Note:** Wall mount applications not recommended for fans 30" or larger.

Dimensional Data

	Direct Drive			
	DAE10	DAE12	DAE14	DAE18
L^{DIA.}	18 5/16	20 5/16	27 5/16	33 9/16
H	9 3/4	10 1/4	12 5/8	14 3/8
D	2	2	2	2
E^{†SQ.}	19	19	21	26
R_o^{SQ.}	13	13	16	20

† Outside dimension of curb should be 1 1/2" less than 'E' dimension.
All dimensions in inches.

Material: Spun Aluminum Housing



PENNBARRY™

1401 North Plano Road, Richardson, TX 75081

Ph: 972.234.3202 Fax: 972.497.0468

www.PennBarry.com

Submittal Sheet Domex Axial - Exhaust Spun Aluminum Axial Roof Ventilators Direct Drive

This drawing illustrates our understanding of order requirements. When approved, it represents details for fabrication, as such, PennBarry will not be responsible for revisions in the field or other changes after release for fabrication. Published and protected by PennBarry, Richardson, TX. All rights reserved. May not be reproduced partially or in full without permission from the publisher. No rights conveyed to manufacture partially or in full, use or sell either the method of construction represented or any invention in any way related thereto.

Form ES-DAE
Revised March 2005