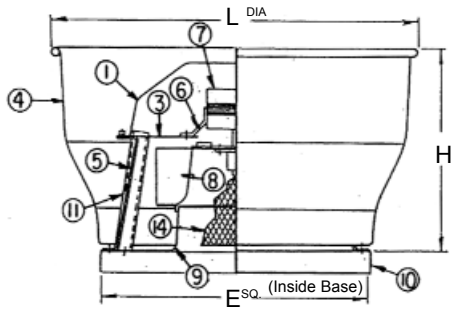
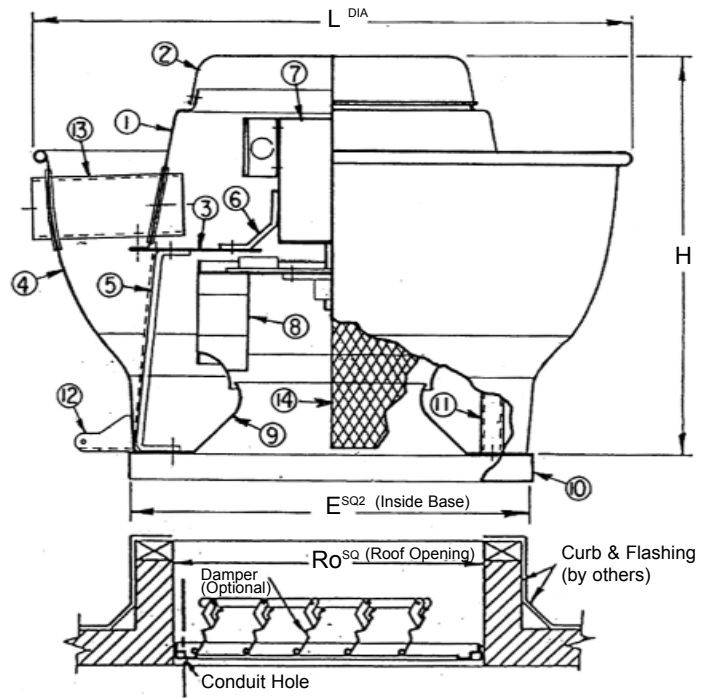


# Fumex - Direct Drive

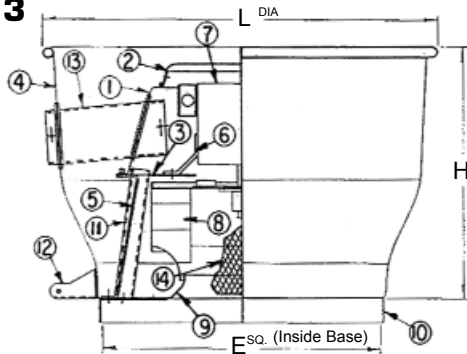
## FX08, 10 & 11



## FX16, 18



## FX13



### Legend

- |   |  |  |
|---|--|--|
| 1. Motor Dome                                   | 6. Motor Mounting Brackets                       | 11. Conduit Guide                              |
| 2. Motor Hood Top<br>(Models Fx13, Fx16 & Fx18) | 7. Motor   | 12. Drain Spout                                |
| 3. Top Plate                                    | 8. Centrifugal Fan Wheel -<br>With Cooling Vanes | 13. Cooling Tube<br>(Models FX13, FX16 & FX18) |
| 4. Discharge Apron                              | 9. Spun Venturi                                  | 14. Aluminum Bird Screen                       |
| 5. Structural Support Braces                    | 10. Mounting Base                                |  |


### Dimensional Data

Dimensions	FX08SR	FX10SR	FX11VSR/Q	FX13VSR/Q	FX16VSR FX16Q	FX18V
L <sup>DIA</sup>	25	25	25	25 1/2	30 3/4	39
H	14 1/8	14 1/8	14 1/8	16 1/2	22 3/8	31
E <sup>†SQ.</sup>	18 1/2	18 1/2	18 1/2	18 1/2	20 1/2	28 1/2
Ro <sup>SQ.</sup>	9	11 1/2	11 1/2	11 1/2	16	20

† Outside dimension of curb should be 1 1/2" less than 'E' dimension.

All dimensions in inches.

**Material:** Spun Aluminum Housing

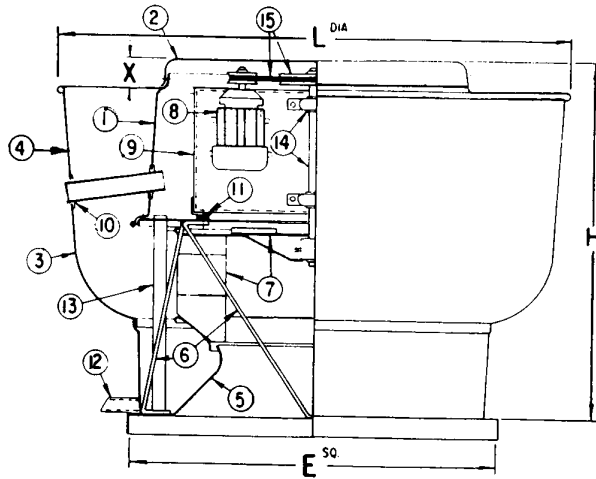
 <b>PENNBARRY™</b> 1401 North Plano Road, Richardson, TX 75081 Ph: 972.234.3202 Fax: 972.497.0468 www.PennBarry.com	<h2 style="margin: 0;">Submittal Sheet</h2> <h3 style="margin: 0;">Fumex - Direct Drive</h3> <h3 style="margin: 0;">Spun Aluminum</h3> <h3 style="margin: 0;">Centrifugal Upblast Roof Exhauster</h3>
--	---

This drawing illustrates our understanding of order requirements. When approved, it represents details for fabrication, as such, PennBarry will not be responsible for revisions in the field or other changes after release for fabrication. Published and protected by PennBarry, Richardson, TX. All rights reserved. May not be reproduced partially or in full without permission from the publisher. No rights conveyed to manufacture partially or in full, use or sell either the method of construction represented or any invention in any way related thereto.

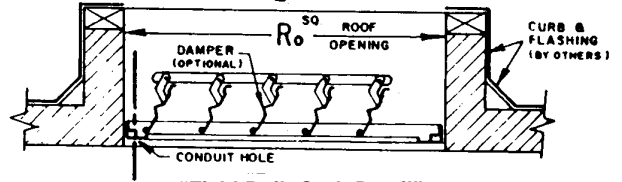
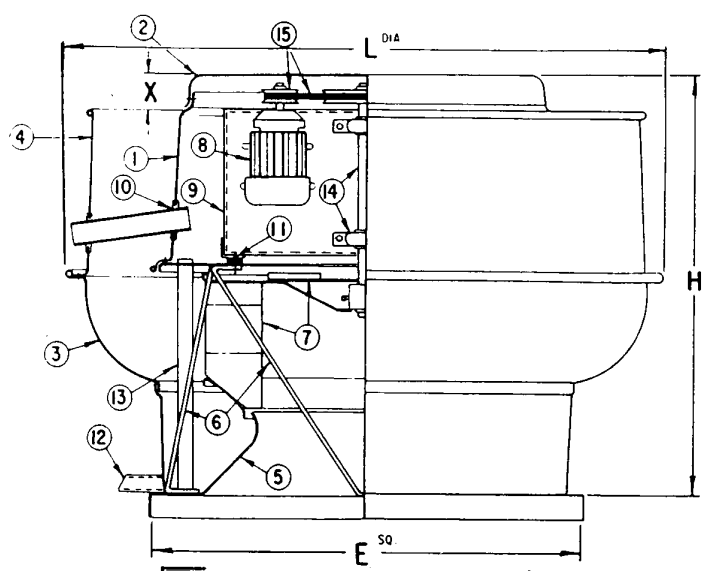
**Form ES-FMX4**  
Revised March 2005

# Fumex - Belt Drive

**FX08B - FX14B**



**FX16B - FX36B**



"Field Built Curb Detail"

## Legend

- |                          |   |
|--------------------------|---|
| 1. Motor Dome            | 9. Motor Support Plate                                |
| 2. Motor Dome Top        | 10. Cooling Tube & Gasket<br>(Alternate Wire Passage) |
| 3. Discharge Apron*      | 11. Anti-Vibration Mounts                             |
| 4. Windband              | 12. Drain Spout                                       |
| 5. Spun Inlet Venturi    | 13. Conduit Guide                                     |
| 6. Tri-Strut™ Brace      | 14. Fan Shaft & Bearings<br>(with Intake Fan)         |
| 7. Centrifugal Fan Wheel | 15. Belt & Pulleys                                    |
| 8. Motor•                |   |

\* Discharge Apron & Windband one piece on sizes FX08B-FX14B.

## Dimensional Data

Dimensions	Belt Drive Models								
	FX08B	FX10B	FX13B	FX14B	FX16B	FX18B	FX24B	FX30B	FX36B
L <sup>DIA</sup>	35	35	35	35	39	39	46	53 1/2	66
H	28 3/4	28 3/4	28 3/4	28 3/4	31	31	34 1/2	35 1/2	47 1/2
E <sup>SQ</sup>	24 3/4	24 3/4	24 3/4	24 3/4	28 1/2	28 1/2	33 1/2	36 1/2	44 1/2
X	5 3/4	5 3/4	5 3/4	5 3/4	6 1/2	6 1/2	7	6 1/2	*
Ro <sup>SQ</sup>	16	16	16	16	20	20	25	28	36

† Outside dimension of curb should be 1 1/2" less than 'E' dimension.

All dimensions in inches.

\* Motor Dome does not extend above upper windband on this model.

• At PennBarry's option, large frame motors may be removed after testing and shipped separately.

**Material:** Spun Aluminum Housing



PENNBARRY™

1401 North Plano Road, Richardson, TX 75081

Ph: 972.234.3202 Fax: 972.497.0468

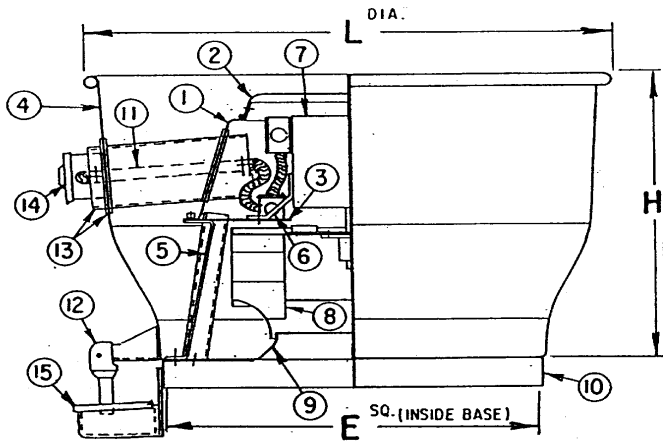
www.PennBarry.com

## Submittal Sheet

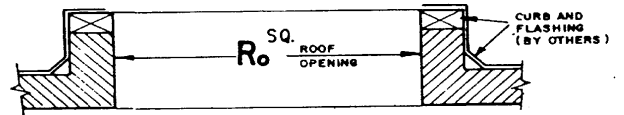
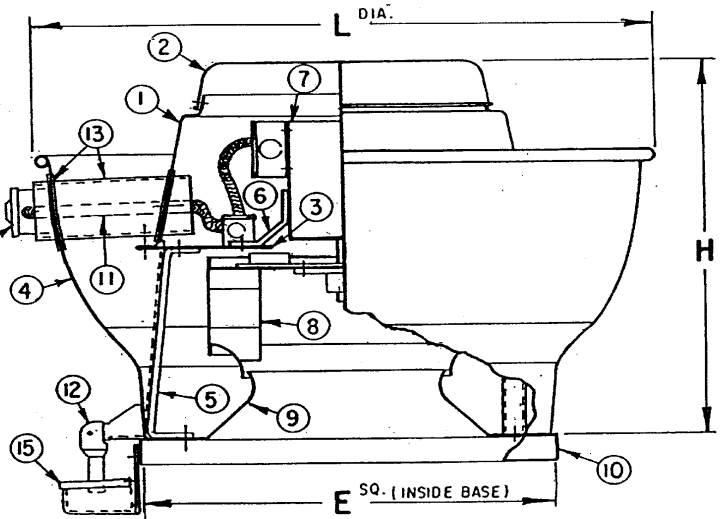
**Fumex - Belt Drive  
Upblast Roof Exhauster**

# Fumex Fatrap - Direct Drive

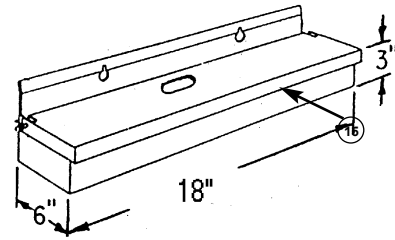
**FX13 VSR/Q FT**



**FX16 VSR/Q FT**



"Field Built Curb Detail"



## Legend

- |   |                                     |
|---|-------------------------------------|
| 1. Motor Hood                                 | 9. Spun Venturi                     |
| 2. Motor Hood Top                             | 10. Mounting Base                   |
| 3. Top Plate                                  | 11. Conduit Guide                   |
| 4. Discharge Apron                            | 12. Grease Drain Spout              |
| 5. Support Braces                             | 13. Cooling Tube & Gaskets          |
| 6. Motor Mounting Brackets                    | 14. Weather-Tight Disconnect Switch |
| 7. Motor                                      | 15. Exterior Grease Collection Pan  |
| 8. Centrifugal Fan Wheel (With Cooling Vanes) |                                     |

## Dimensional Data

Dimensions	FX13VSR/Q FT	FX16VSR/Q FT
L <sup>DIA.</sup>	25 1/2	30 3/4
H	16 1/2	22 3/8
E† <sup>SQ.</sup>	18 1/2	20 1/2
R <sub>0</sub> <sup>SQ.</sup>	11 1/2	16

† Outside Dimension Of Curb Should Be 1 1/2" Less Than 'E' Dimension.

All Dimensions In Inches.

**Material:** Spun Aluminum Housing



PENNBARRY™

1401 North Plano Road, Richardson, TX 75081

Ph: 972.234.3202 Fax: 972.497.0468

www.PennBarry.com

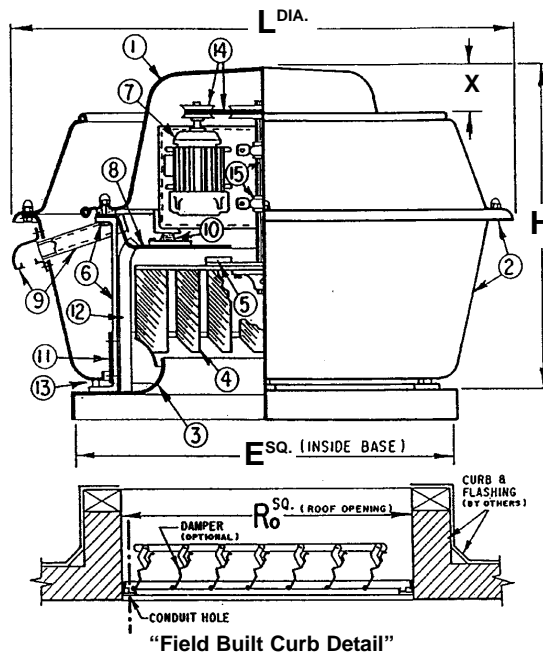
## Submittal Sheet

**Fumex Fatrap - Direct Drive  
Spun Aluminum  
Centrifugal Upblast Roof Exhauster**

This drawing illustrates our understanding of order requirements. When approved, it represents details for fabrication, as such, PennBarry will not be responsible for revisions in the field or other changes after release for fabrication. Published and protected by PennBarry, Richardson, TX. All rights reserved. May not be reproduced partially or in full without permission from the publisher. No rights conveyed to manufacture partially or in full, use or sell either the method of construction represented or any invention in any way related thereto.

**Form ES-FMT-1**  
Revised March 2005

# Fumex - Belt Drive



## Legend

- |                           |                                   |                          |
|---------------------------|-----------------------------------|--------------------------|
| 1. Motor Dome             | 6. Main Brace Fastening Assembly  | 11. Weather Baffle       |
| 2. Upper & Lower Windband | 7. Motor*                         | 12. Conduit Graze        |
| 3. Spun Inlet Venturi     | 8. Motor Support Plate            | 13. Drainage Area        |
| 4. Centrifugal Fan Wheel  | 9. Cooling Tube with Weather Cowl | 14. Belt and Pulleys     |
| 5. Intake Fan             | 10. Anti-Vibration Mounts         | 15. Fan Shaft & Bearings |

## Dimensional Data


Dimensions	FMX50B
L <sup>DIA.</sup>	78
H	48
E <sup>†SQ.</sup>	59
Ro <sup>SQ.</sup>	50
X	4

All dimensions in inches.

† Outside dimension of curb should be 1 1/2" less than 'E' dimension.

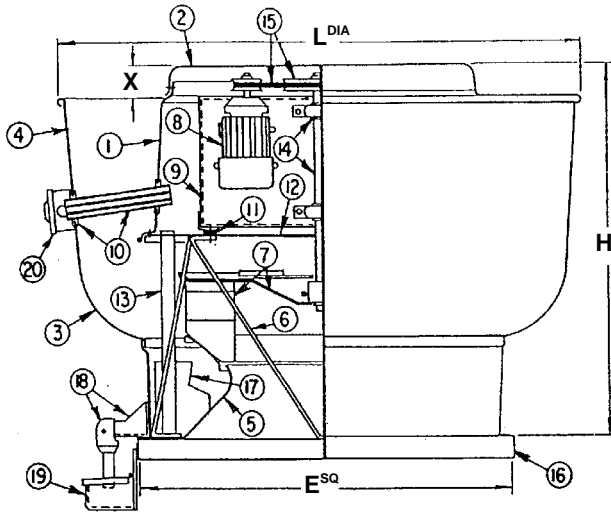
\* At PennBarry's option, large frame motors may be removed after testing and shipped separately.

**Material:** Spun Aluminum Housing

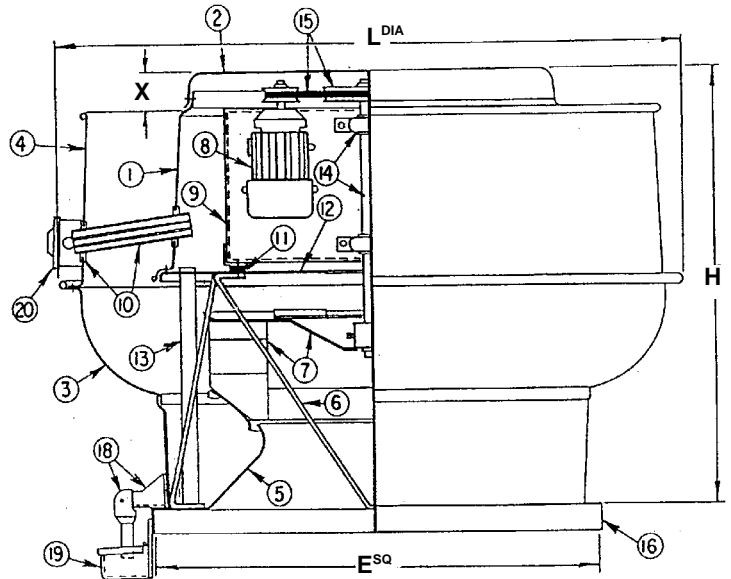
 <b>PENNBARRY™</b> 1401 North Plano Road, Richardson, TX 75081 Ph: 972.234.3202 Fax: 972.497.0468 <a href="http://www.PennBarry.com">www.PennBarry.com</a>	<h2>Submittal Sheet</h2> <h3>Fumex</h3> <h4>High Capacity - Belt Drive Spun Aluminum Centrifugal Upblast Roof Exhauster</h4>
---	--

# High Pressure Fumex - Belt Drive

**FX12BH, FX12BHFT,  
FX13BHFT**



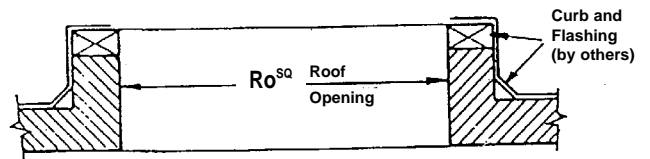
**FX18BH, FX18BHFT, FX24BH,  
FX24BHFT**



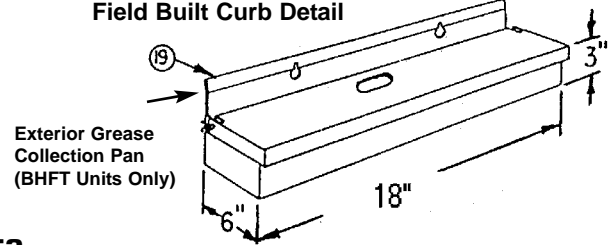
## Legend

- |   |  |
|---|--|
| 1. Motor Dome                                   | 12. Top Plate  |
| 2. Motor Dome Top                               | 13. Conduit Guide-(Not On BHFT Units)  |
| 3. Discharge Apron*                             | 14. Fan Shaft & Bearings   |
| 4. Windband*                                    | 15. Belt & Pulleys   |
| 5. Spun Inlet Venturi                           | 16. Mounting Base  |
| 6. Tri-Strut™ Brace                             | 17. Air Cut Off (FX12BHFT - FX13BHFT Only)   |
| 7. Centrifugal Fan Wheel<br>(With Cooling Vane) | 18. Grease Drain & Down Spout<br>(BHFT Units Only)   |
| 8. Motor*                                       | 19. Exterior Grease Collection Pan<br>(BHFT Units Only)  |
| 9. Motor Support Plate                          | 20. Weather Tight Disconnect Switch<br>(Only On BHFT Units For Alternate<br>External Wiring-By Others) |
| 10. Cooling Tube & Gaskets                      |  |
| 11. Anti-Vibration Mounts                       |  |

\* Discharge apron & windband are one piece on sizes FX12BH, FX12BHFT, FX13BHFT.



Field Built Curb Detail



## Dimensional Data


Dimensions	Belt Drive Models			
	FX12BH, FX12BHFT	FX13BHFT	FX18BH, FX18BHFT	FX24BH, FX24BHFT
L <sup>DIA</sup>	35	35	39	46
H	28 3/4	28 3/4	31	34 1/2
E <sup>†SQ</sup>	24 3/4	24 3/4	28 1/2	33 1/2
X	5 3/4	5 3/4	6 1/2	7
Ro <sup>SQ</sup>	16	16	20	25

† Outside dimension of curb should be 1 1/2" less than 'E' dimension.

• At PennBarry's option, large frame motors may be removed after testing and shipped separately.

All dimensions in inches.

**Material:** Spun Aluminum Housing

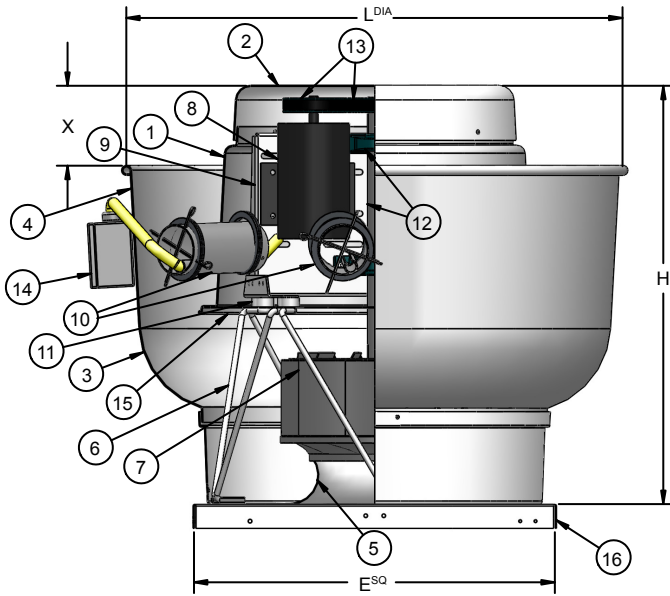
 <b>PENNBARRY™</b> 1401 North Plano Road, Richardson, TX 75081 Ph: 972.234.3202 Fax: 972.497.0468 www.PennBarry.com	<h2>Submittal Sheet</h2> <h3>High Pressure Fumex</h3> <h4>Belt Drive</h4> <h4>Spun Aluminum</h4> <h4>Centrifugal Upblast Roof Exhauster</h4>
--	--

This drawing illustrates our understanding of order requirements. When approved, it represents details for fabrication, as such, PennBarry will not be responsible for revisions in the field or other changes after release for fabrication. Published and protected by PennBarry, Richardson, TX. All rights reserved. May not be reproduced partially or in full without permission from the publisher. No rights conveyed to manufacture partially or in full, use or sell either the method of construction represented or any invention in any way related thereto.

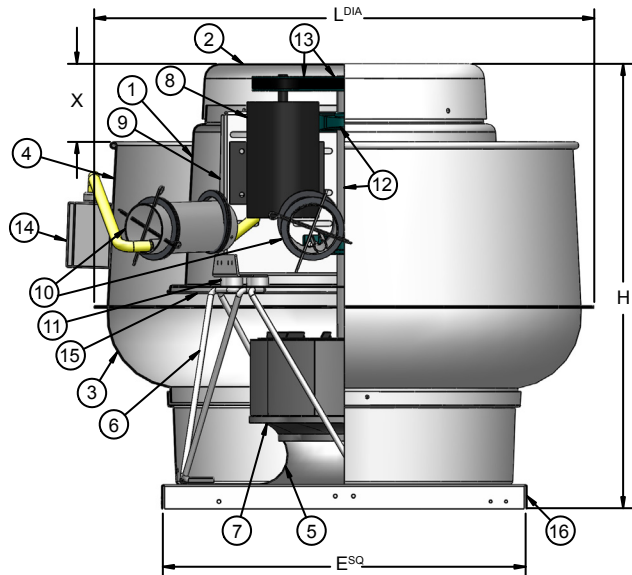
**Form ES-FXHP**  
Revised March 2005

# High Pressure Fumex Heat & Smoke Removal - Belt Drive

FX12BH-HS, FX13BH-HS

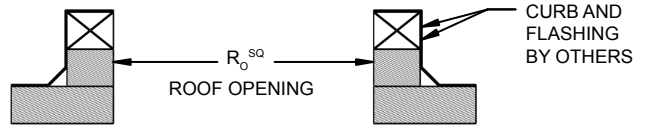


FX18BH-HS, FX24BH-HS



**Legend:**

- |                                |                                |
|--------------------------------|--------------------------------|
| 1. Motor Dome                  | 9. Motor Support Plate         |
| 2. Motor Dome Top              | 10. Cooling Tube & Gasket      |
| 3. Discharge Apron*            | 11. Aluminum Standoffs         |
| 4. Windband*                   | 12. Fan Shaft & Bearings       |
| 5. Spun Inlet Venturi          | 13. Belt & Pulleys             |
| 6. Tri-Strut Brace             | 14. Weather-Tight Junction Box |
| 7. Steel Centrifugal Fan Wheel | 15. Top Plate                  |
| 8. Motor                       | 16. Mounting Base              |



**Field Built Curb Detail**

Note: \* Discharge apron and windband are one piece on sizes FX12BH-HS and FX13BH-HS.

**Dimensional Data:**


	Belt Drive			
	FX12BH-HS	FX13BH-HS	FX18BH-HS	FX24BH-HS
L <sup>DIA</sup>	35	35	39	46
H	28 3/4	28 3/4	31	34 1/2
E <sup>SQ*</sup>	24 3/4	24 3/4	28 1/2	33 1/2
X	5 3/4	5 3/4	6 1/2	7
R <sub>o</sub> <sup>SQ</sup>	16	16	20	25

Note: At PennBarry's option, large frame motors may be removed after testing and shipped separately. All dimensions in inches.

\* Outside dimension of curb should be 1 1/2" less than 'E' dimension.

**Material:**

Spun Aluminum Housing

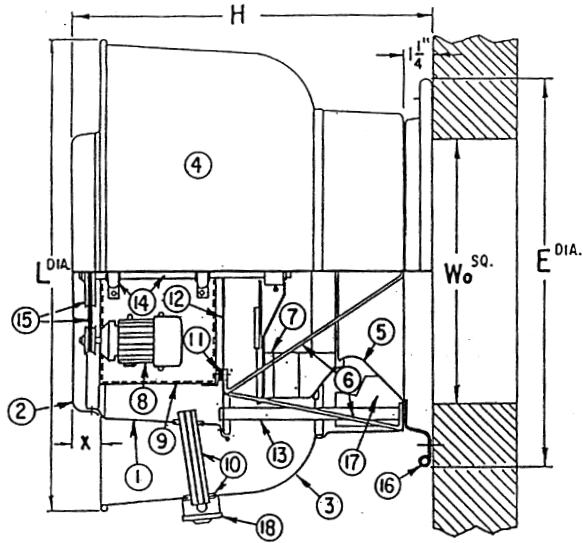
 <b>PENNBARRY™</b> 1401 N. Plano Rd., Richardson, TX 75081 Ph: 972.234.3202; Fax: 972.497.0468 www.pennbarry.com	<h2 style="margin: 0;">Submittal Sheet</h2> <h3 style="margin: 0;">High Pressure Fumex Heat &amp; Smoke Removal - Belt Drive</h3> <p style="margin: 0;"><b>Spun Aluminum</b></p> <p style="margin: 0;"><b>Centrifugal Upblast Roof Exhauster</b></p>
---	--

This drawing illustrates our understanding of order requirements. When approved, it represents details for fabrication, as such, PennBarry will not be responsible for revisions in the field or other changes after the release for fabrication. Published and protected by PennBarry, Richardson, TX. All rights reserved. This document may not be reproduced partially or in full without expressed written permission from the publisher. No rights conveyed to manufacture partially or in full, use or sell either the method of construction represented or any invention in any way thereto.

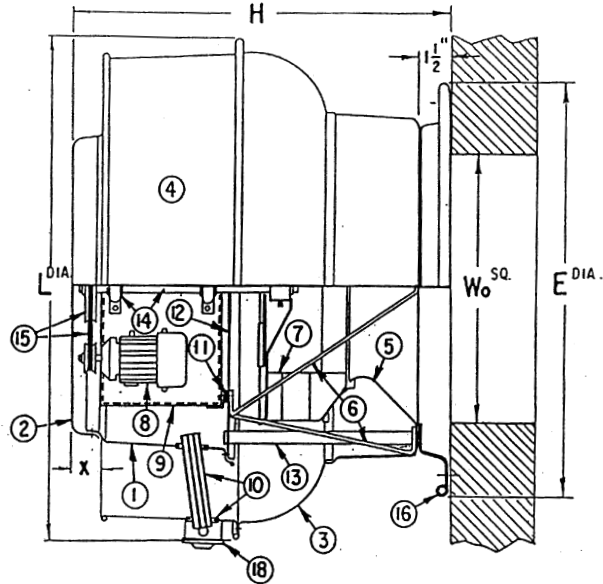
**Form ES-FXHP-HS**  
January 2009

# High Pressure Fumex Belt Drive - Wall Mounted

**WFX12BH,  
WFX12BHFT, WFX13BHFT**



**WFX18BH, WFX18BHFT,  
WFX24BH, WFX24BHFT**



## Legend

- |  |  |  |
|--|--|--|
| 1. Motor Dome                                    | 8. Motor (2 Hp Max.)                       | 15. Belt & Pulleys   |
| 2. Motor Dome Top                                | 9. Motor Support Plate                     | 16. Spun Bead Mounting Flange  |
| 3. Discharge Apron*                              | 10. Cooling Tube & Gaskets                 | 17. Air Cut Off (WFX12BHFT -<br>WFX13BHFT Only)  |
| 4. Windband*                                     | 11. Anti-Vibration Mounts                  | 18. Weather Tight Disconnect Switch<br>(Only On BHFT Units For Alternative<br>External Wiring - By Others) |
| 5. Spun Inlet Venturi                            | 12. Top Plate                              |  |
| 6. Tri-Strut™ Brace                              | 13. Conduit Guide -<br>(Not On BHFT Units) |  |
| 7. Centrifugal Fan Wheel<br>(With Cooling Vanes) | 14. Fan Shaft & Bearings                   |  |

\*Discharge apron & windband is one piece on sizes WFX12BH, WFX12BHFT, WFX13BHFT.

## Dimensional Data

DIMENSIONS	Belt Drive Models			
	WFX12BH, WFX12BHFT	WFX13BHFT	WFX18BH, WFX18BHFT	WFX24BH, WFX24BHFT
L <sup>DIA.</sup>	35	35	39	46
H	30	30	32 1/2	36
E <sup>DIA.</sup>	27 1/4	27 1/4	29 1/2	35 7/8
X	5 3/4	5 3/4	6 1/2	7
W0 <sup>SQ.</sup>	16	16	20	25

**Note:** Maximum motor size is 2 HP for wall mounted Fumex units.

All dimensions in inches.

**Material:** Spun Aluminum Housing



PENNBARRY™

1401 North Plano Road, Richardson, TX 75081

Ph: 972.234.3202 Fax: 972.497.0468

www.PennBarry.com

**Submittal Sheet**  
**High Pressure Fumex**  
**Spun Aluminum**  
**Centrifugal Wall Exhausters**

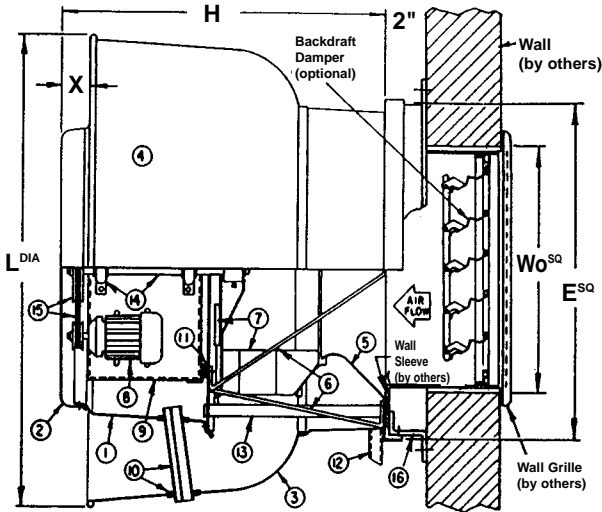
This drawing illustrates our understanding of order requirements. When approved, it represents details for fabrication, as such, PennBarry will not be responsible for revisions in the field or other changes after release for fabrication. Published and protected by PennBarry, Richardson, TX. All rights reserved. May not be reproduced partially or in full without permission from the publisher. No rights conveyed to manufacture partially or in full, use or sell either the method of construction represented or any invention in any way related thereto.

**Form ES-WFX-4**

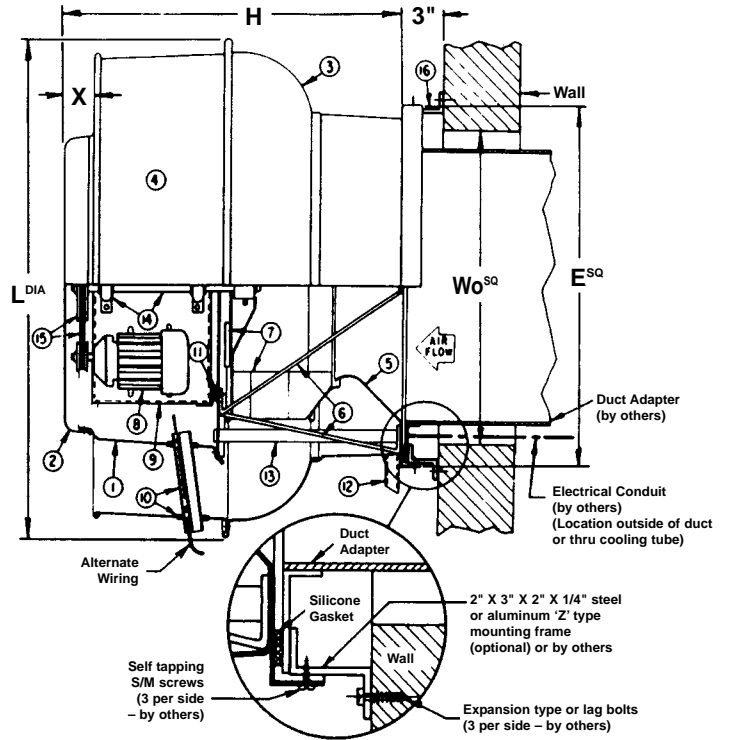
Revised March 2005

# Wall Mounting Of Roof Top Belt Drive Fumex

**FX08B-FX14B**



**FX16B-FX24B**



## Legend

1. Motor Dome
2. Motor Dome Top
3. Discharge Apron\*
4. Windband\*
5. Spun Inlet Venturi
6. Tri-Strut™ Brace
7. Centrifugal Fan Wheel (With Intake Fan)
8. Motor
9. Motor Support Plate
10. Cooling Tube & Gaskets (Alternate Wire Passage)

11. Anti-Vibration Mounts
12. Drain Spout
13. Conduit Guide
14. Fan Shaft & Bearings
15. Belt & Pulley
16. Wall Mounting Frame (Optional or By Others)

\* Discharge apron & windband is one piece on sizes FX08B-FX14B

## Dimensional Data

	Belt Drive Models						
	FX08B	FX10B	FX13B	FX14B	FX16B	FX18B	FX24B
L DIA.	35	35	35	35	39	39	46
H	28 3/4	28 3/4	28 3/4	28 3/4	31	31	34 1/2
ESQ.	24 3/4	24 3/4	24 3/4	24 3/4	28 1/2	28 1/2	33 1/2
X	5 3/4	5 3/4	5 3/4	5 3/4	6 1/2	6 1/2	7
WoSQ.	16	16	16	16	20	20	25

**Note:** Maximum motor size is 2 HP for wall mounted Fumex units.

All dimensions in inches.

**Material:** Spun Aluminum Housing



PENNBARRY™

1401 North Plano Road, Richardson, TX 75081

Ph: 972.234.3202 Fax: 972.497.0468

www.PennBarry.com

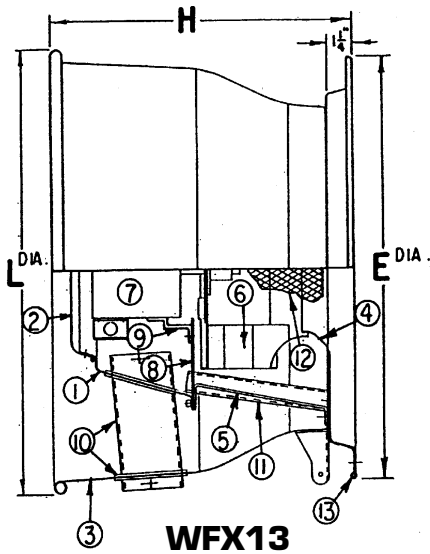
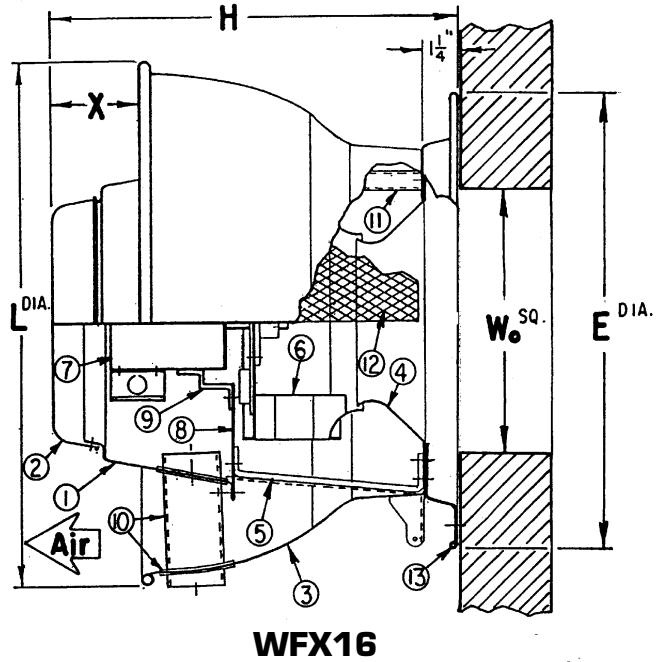
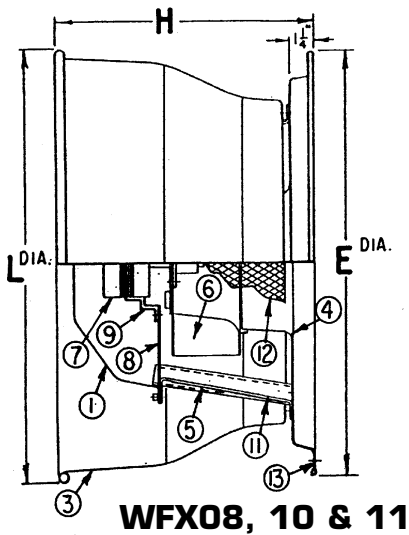
## Submittal Sheet

**Fumex - Belt Drive  
Spun Aluminum  
Centrifugal Wall Exhauster**

This drawing illustrates our understanding of order requirements. When approved, it represents details for fabrication, as such, PennBarry will not be responsible for revisions in the field or other changes after release for fabrication. Published and protected by PennBarry, Richardson, TX. All rights reserved. May not be reproduced partially or in full without permission from the publisher. No rights conveyed to manufacture partially or in full, use or sell either the method of construction represented or any invention in any way related thereto.

**Form ES-FMX5**  
Revised March 2005

# Fumex - Direct Drive - Wall Mounted



## Legend

- |  |  |
|--|--|
| 1. Motor Hood                                    | 7. Motor   |
| 2. Motor Hood Top<br>(Models WFX13 & WFX16)      | 8. Top Plate   |
| 3. Discharge Apron                               | 9. Motor Mounting Brackets                           |
| 4. Spun Venturi                                  | 10. Cooling Tube & Gaskets<br>(Models WFX13 & WFX16) |
| 5. Structural Support Braces                     | 11. Conduit Guide                                    |
| 6. Centrifugal Fan Wheel<br>(With Cooling Vanes) | 12. Aluminum Bird Screen                             |
|  | 13. Spun Bead Mounting Flange                        |

## Dimensional Data

Dimensions	Direct Drive Models				
	WFX08SR	WFX10SR	WFX11VSR/Q	WFX13VSR/Q	WFX16VSR, 16Q
L <sup>DIA.</sup>	25	25	25	25 1/2	30 3/4
H	16 7/8	16 7/8	16 7/8	17 7/8	24 1/4
E <sup>DIA.</sup>	24	24	24	24	24
X	-	-	-	-	6
W <sub>0</sub> <sup>SQ.</sup>	9	11 1/2	11 1/2	11 1/2	16

All dimensions in inches.

**Material:** Spun Aluminum Housing



PENNBARRY™

1401 North Plano Road, Richardson, TX 75081

Ph: 972.234.3202 Fax: 972.497.0468

www.PennBarry.com

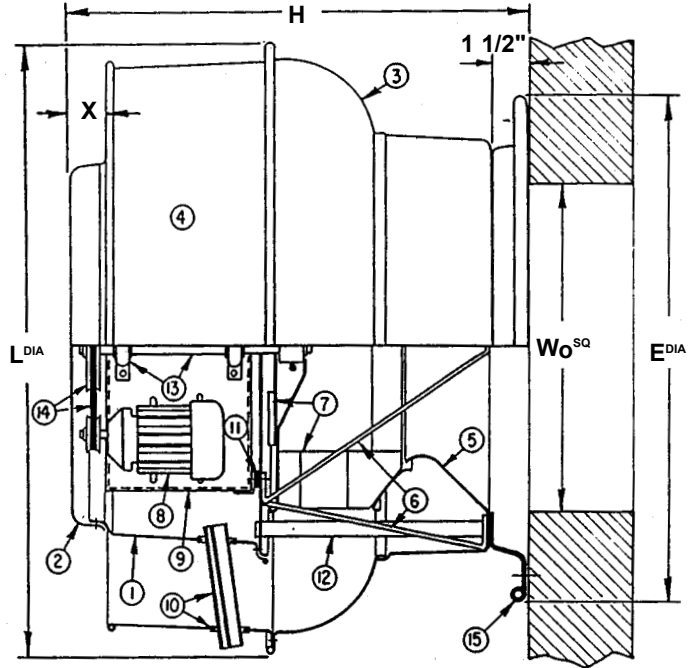
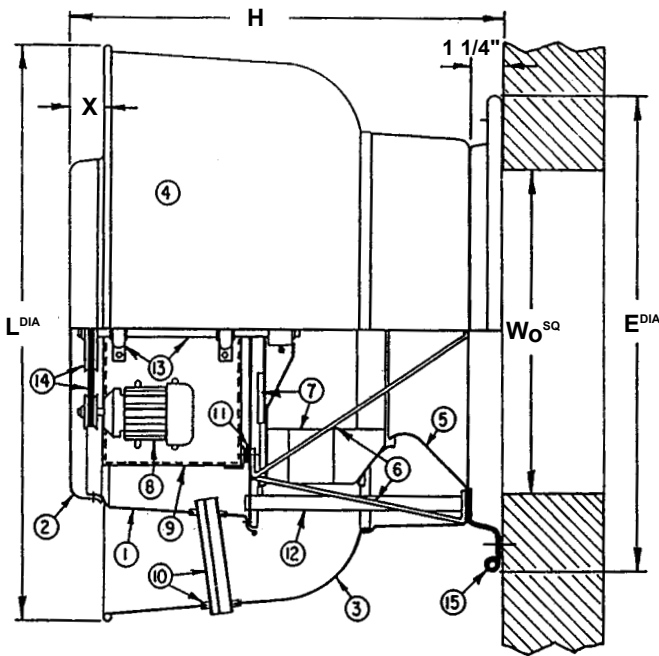
## Submittal Sheet

**Fumex - Direct Drive  
Wall Mounted  
Spun Aluminum Centrifugal  
Wall Exhausters**

# Fumex - Belt Drive - Wall Mounted

## WFX08B-WFX14B

## WFX16B-WFX24B



### Legend

- |  |  |
|--|--|
| 1. Motor Dome                              | 9. Motor Support Plate                                 |
| 2. Motor Dome Top                          | 10. Cooling Tube & Gaskets<br>(Alternate Wire Passage) |
| 3. Discharge Apron*                        | 11. Anti-Vibration Mounts                              |
| 4. Windband*                               | 12. Conduit Guide                                      |
| 5. Spun Inlet Venturi                      | 13. Fan Shaft & Bearings                               |
| 6. Tri-Strut™ Brace                        | 14. Belt & Pulley                                      |
| 7. Centrifugal Fan Wheel (With Intake Fan) | 15. Spun Bead Mounting Flange                          |
| 8. Motor (2 Hp Max.)                       |  |

\* Discharge apron & windband is one piece on sizes WFX08B-WFX14B

### Dimensional Data

Dimensions	Belt Drive Models						
	WFX08B	WFX10B	WFX13B	WFX14B	WFX16B	WFX18B	WFX24B
L <sup>DIA</sup>	35	35	35	35	39	39	46
H	30	30	30	30	32 1/2	32 1/2	36
E <sup>DIA</sup>	27 1/4	27 1/4	27 1/4	27 1/4	29 1/2	29 1/2	35 7/8
X	5 3/4	5 3/4	5 3/4	5 3/4	6 1/2	6 1/2	7
Wo <sup>SQ</sup>	16	16	16	16	20	20	25

Note: Maximum motor size is 2 HP for wall mounted Fumex units.

All dimensions in inches.

**Material:** Spun Aluminum Housing



PENNBARRY™

1401 North Plano Road, Richardson, TX 75081

Ph: 972.234.3202 Fax: 972.497.0468

www.PennBarry.com

## Submittal Sheet

### Fumex - Belt Drive

#### Wall Mounted

#### Spun Aluminum

#### Centrifugal Wall Exhauster

This drawing illustrates our understanding of order requirements. When approved, it represents details for fabrication, as such, PennBarry will not be responsible for revisions in the field or other changes after release for fabrication. Published and protected by PennBarry, Richardson, TX. All rights reserved. May not be reproduced partially or in full without permission from the publisher. No rights conveyed to manufacture partially or in full, use or sell either the method of construction represented or any invention in any way related thereto.

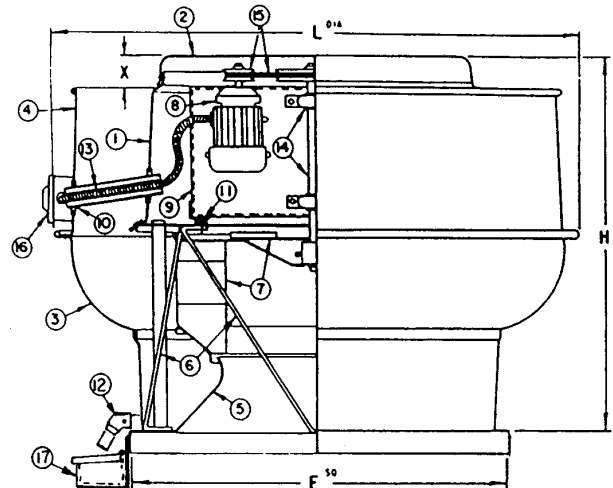
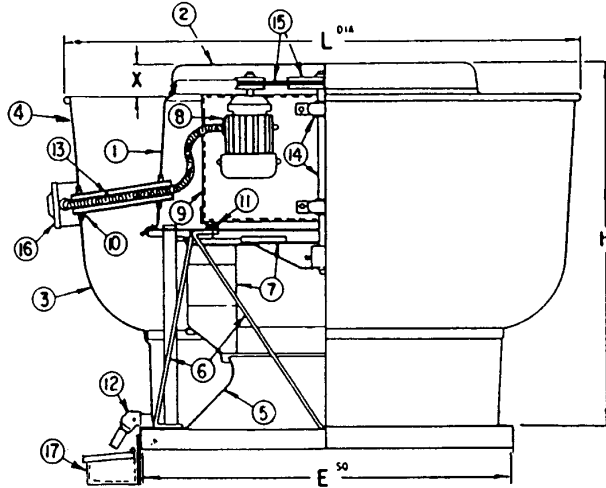
Form ES-WFX-1

Revised March 2005

# Fumex Fatrap

**FX08BFT - FX14BFT**

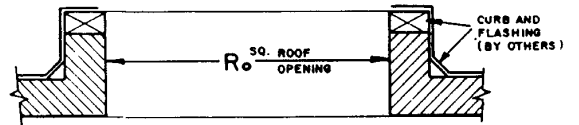
**FX16BFT - FX36BFT**



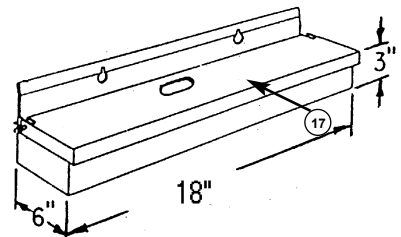
## Legend

- |   |  |
|---|--|
| 1. Motor Dome                                 | 10. Cooling Tube & Gasket              |
| 2. Motor Dome Top                             | 11. Anti-Vibration Mounts              |
| 3. Discharge Apron*                           | 12. Grease Drain Spout                 |
| 4. Windband                                   | 13. Conduit Guide                      |
| 5. Spun Inlet Venturi                         | 14. Fan Shaft & Bearings               |
| 6. Tri-Strut™ Brace                           | 15. Belt & Pulleys                     |
| 7. Centrifugal Fan Wheel<br>(With Intake Fan) | 16. Weather-Tight<br>Disconnect Switch |
| 8. Motor                                      | 17. Exterior Grease<br>Collection Pan  |
| 9. Motor Support Plate                        |  |

\* Discharge Apron & Windband one piece on sizes FX08BFT-FX14BFT.



"Field Built Curb Detail"



## Dimensional Data

Dimensions	Belt Drive Models								
	FX08BFT	FX10BFT	FX13BFT	FX14BFT	FX16BFT	FX18BFT	FX24BFT	FX30BFT	FX36BFT
L <sup>DIA.</sup>	35	35	35	35	39	39	46	53 1/2	66
H	28 3/4	28 3/4	28 3/4	28 3/4	31	31	34 1/2	35 1/2	47 1/2
E† <sup>SQ.</sup>	24 3/4	24 3/4	24 3/4	24 3/4	28 1/2	28 1/2	33 1/2	36 1/2	44 1/2
X	5 3/4	5 3/4	5 3/4	5 3/4	6 1/2	6 1/2	7	6 1/2	*
Ro <sup>SQ.</sup>	16	16	16	16	20	20	25	28	36


† Outside dimension of curb should be 1 1/2" less than 'E' dimension.

All dimensions in inches.

\* Motor Dome does not extend above upper discharge apron on these models.

• At PennBarry's option, large frame motors may be removed after testing and shipped separately.

**Material:** Spun Aluminum Housing

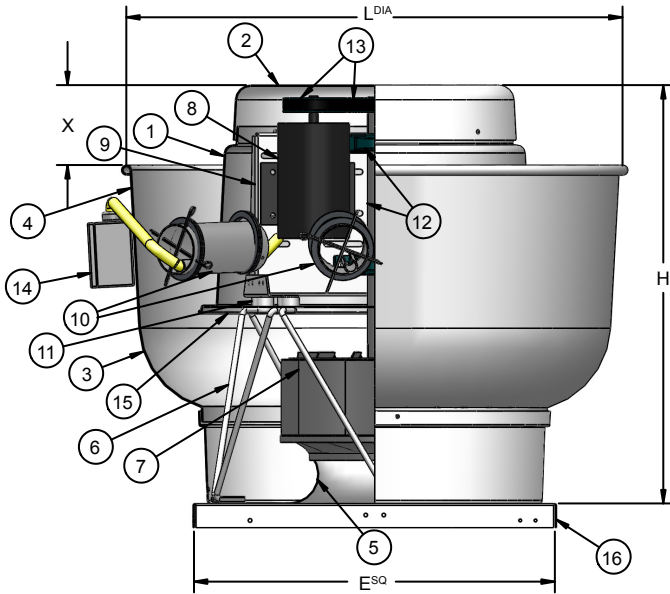
 <p><b>PENNBARRY™</b></p> <p>1401 North Plano Road, Richardson, TX 75081 Ph: 972.234.3202 Fax: 972.497.0468 www.PennBarry.com</p>	<h2 style="margin: 0;">Submittal Sheet</h2> <h3 style="margin: 0;">Fumex Fatrap - Belt Drive</h3> <h4 style="margin: 0;">Spun Aluminum</h4> <h4 style="margin: 0;">Centrifugal Upblast Roof Exhauster</h4>
--	--

This drawing illustrates our understanding of order requirements. When approved, it represents details for fabrication, as such, PennBarry will not be responsible for revisions in the field or other changes after release for fabrication. Published and protected by PennBarry, Richardson, TX. All rights reserved. May not be reproduced partially or in full without permission from the publisher. No rights conveyed to manufacture partially or in full, use or sell either the method of construction represented or any invention in any way related thereto.

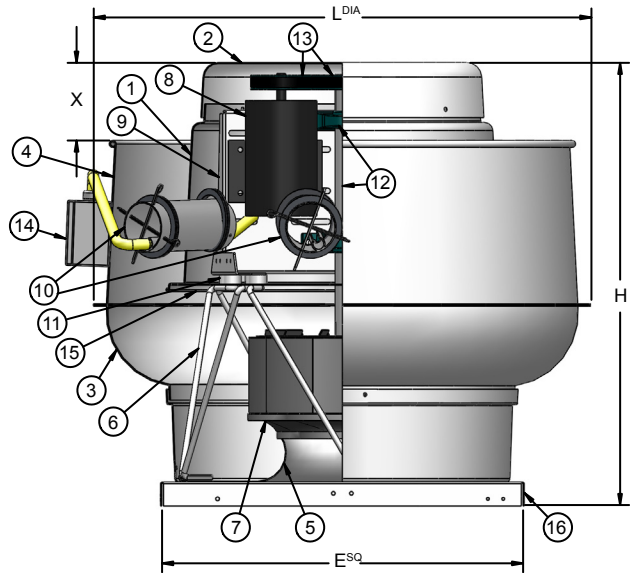
**Form ES-FMT**  
Revised March 2005

# Fumex Heat & Smoke Removal - Belt Drive

FX08B-HS - FX14B-HS

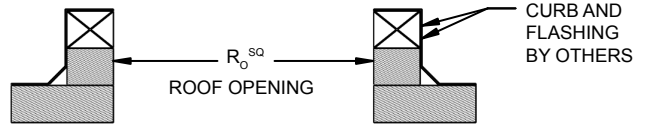


FX16B-HS - FX36B-HS



## Legend:

- |                                |                                |
|--------------------------------|--------------------------------|
| 1. Motor Dome                  | 9. Motor Support Plate         |
| 2. Motor Dome Top              | 10. Cooling Tube & Gasket      |
| 3. Discharge Apron*            | 11. Aluminum Standoffs         |
| 4. Windband*                   | 12. Fan Shaft & Bearings       |
| 5. Spun Inlet Venturi          | 13. Belt & Pulleys             |
| 6. Tri-Strut Brace             | 14. Weather-Tight Junction Box |
| 7. Steel Centrifugal Fan Wheel | 15. Top Plate                  |
| 8. Motor                       | 16. Mounting Base              |



Field Built Curb Detail

Note: \* Discharge apron and windband are one piece on sizes FX08B-HS to FX14B-HS.

## Dimensional Data:

	Belt Drive								
	FX08B-HS	FX10B-HS	FX13B-HS	FX14B-HS	FX16B-HS	FX18B-HS	FX24B-HS	FX30B-HS	FX36B-HS
L <sup>DIA</sup>	35	35	35	35	39	39	46	53 1/2	66
H	28 3/4	28 3/4	28 3/4	28 3/4	31	31	34 1/2	35 1/2	47 1/2
E <sup>SQ*</sup>	24 3/4	24 3/4	24 3/4	24 3/4	28 1/2	28 1/2	33 1/2	36 1/2	44 1/2
X	5 3/4	5 3/4	5 3/4	5 3/4	6 1/2	6 1/2	7	6 1/2	**
R <sub>o</sub> <sup>SQ</sup>	16	16	16	16	20	20	25	28	36


Note: At PennBarry's option, large frame motors may be removed after testing and shipped separately. All dimensions in inches.

\* Outside dimension of curb should be 1 1/2" less than 'E' dimension.

\*\* Motor dome does not extend above upper discharge apron on this model.

## Material:

Spun Aluminum Housing

 <b>PENNBARRY™</b> 1401 N. Plano Rd., Richardson, TX 75081 Ph: 972.234.3202; Fax: 972.497.0468 www.pennbarry.com	<h2 style="margin: 0;">Submittal Sheet</h2> <h3 style="margin: 0;">Fumex Heat &amp; Smoke Removal - Belt Drive</h3> <p style="margin: 0;">Spun Aluminum Centrifugal Upblast Roof Exhauster</p>
---	--

This drawing illustrates our understanding of order requirements. When approved, it represents details for fabrication, as such, PennBarry will not be responsible for revisions in the field or other changes after the release for fabrication. Published and protected by PennBarry, Richardson, TX. All rights reserved. This document may not be reproduced partially or in full without expressed written permission from the publisher. No rights conveyed to manufacture partially or in full, use or sell either the method of construction represented or any invention in any way thereto.

**Form ES-FMT-HS**  
January 2009