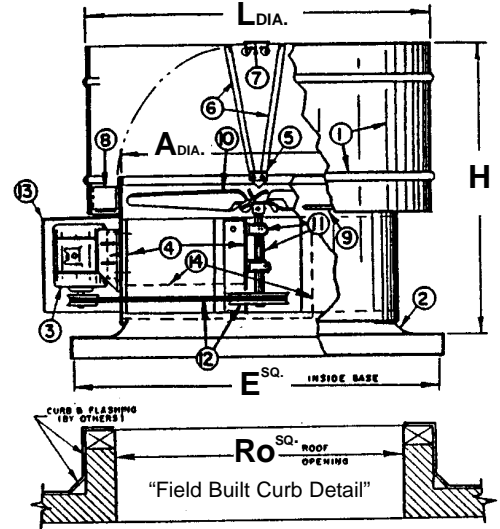
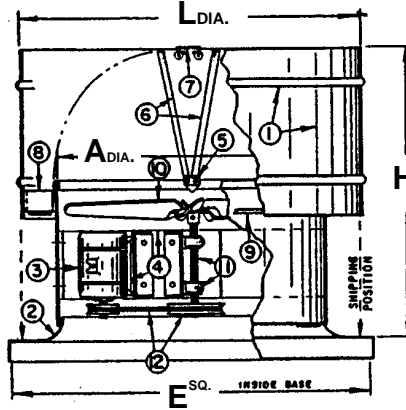
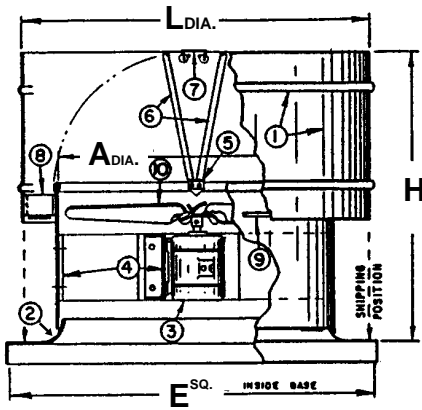


# Hi-Ex

## Direct Drive

## Belt Drive

## Remote Drive



HC Models 24-72  
HF Models 24-60  
HX Models 24-48

### Legend

- |  |  |
|--|--|
| 1. Protective Windband (Ribbed Reinforced)   | 8. Supporting Brackets   |
| 2. Spun Inlet Venturi                        | 9. Flutter Guard   |
| 3. Ball Bearing Motor                        | 10. Propeller  |
| 4. Drive Support Assembly (Plate Steel Webs) | 11. Fan Shaft & Bearings (Belt Drive Only)                               |
| 5. Drainage Gutter                           | 12. Belt & Pulleys (Belt Drive Only)                                     |
| 6. Butterfly Damper Assembly                 | 13. Motor Weather Cover (Remote Drive Only)                              |
| 7. Damper Stop - Rubber Cushioned            | 14. Belt & Bearing Enclosure with Air Guide (Optional Remote Drive Only) |


### Dimensional Data

	Direct Drive and Belt Drive							
	24	30	36	42	48	54	60	72
A DIA.	26	32	38	44	50	56	62	74
H	40	44	48	51	60	62	65	66 1/2
L DIA.	33	39	45	51	57	63	69	81
E † SQ.	36	42	48	54	60	66	72	84
R <sub>O</sub> SQ.	26	32	38	44	51	57	63	75

† Outside dimension of curb should be 1 1/2" less than 'E' dimension.

All dimensions in inches.

**Material:** Galvanized Steel Housing (Aluminum housing is available as an option)

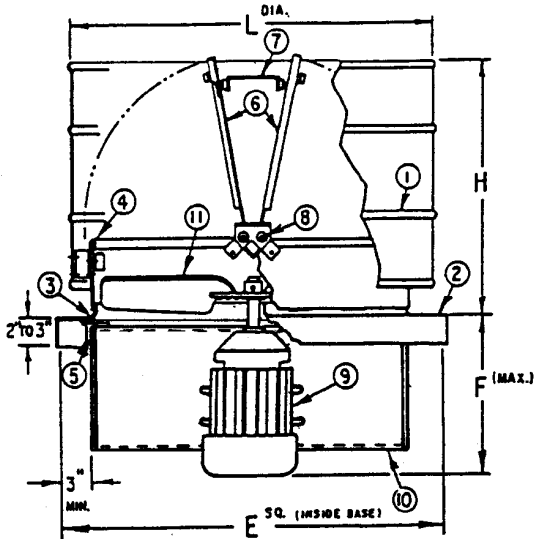
 <b>PENNBARRY™</b> 1401 North Plano Road, Richardson, TX 75081 Ph: 972.234.3202 Fax: 972.497.0468 www.PennBarry.com	<h2>Submittal Sheet</h2> <h3>Hi-Ex - Models HC, HF &amp; HX</h3> <h4>Uplblast Axial Roof Exhausters</h4> <h4>Direct, Belt or Remote Drive</h4>
--	--

This drawing illustrates our understanding of order requirements. When approved, it represents details for fabrication, as such, PennBarry will not be responsible for revisions in the field or other changes after release for fabrication. Published and protected by PennBarry, Richardson, TX. All rights reserved. May not be reproduced partially or in full without permission from the publisher. No rights conveyed to manufacture partially or in full, use or sell either the method of construction represented or any invention in any way related thereto.

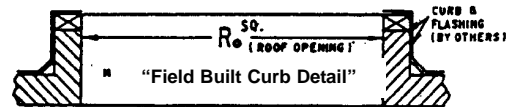
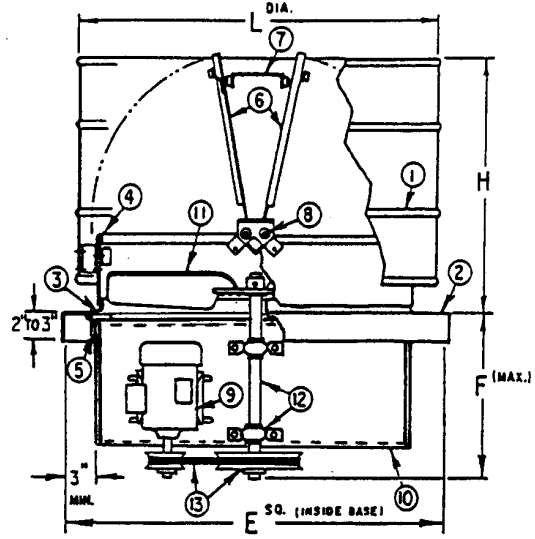
**Form ES-HC, HF, HX**  
Revised March 2005

# Hi-Ex HiteSaver - Model HS

## Direct Drive



## Belt Drive



## Legend

- |  |   |
|--|---|
| 1. Protective Windband (Ribbed Reinforced) | 8. Rain Channel and Damper Bearings     |
| 2. Curb Base                               | 9. Ball Bearing Motor                   |
| 3. Venturi-type Orifice                    | 10. Motor Mounting Plate                |
| 4. Throat with Top Gasket                  | 11. Propeller (Fabricated Steel)        |
| 5. Welded Steel Internal Bracing           | 12. Fan Shaft and Bearings (Belt Drive) |
| 6. Butterfly Damper Assembly               | 13. Belt and Pulleys (Belt Drive)       |
| 7. Damper-Stop Rubber Cushioned            |   |


## Dimensional Data

	HS24	HS30	HS36	HS42	HS48	HS54	HS60
<b>L Dia</b>	33	36	42	48	54	60	66
<b>H</b>	24	24	26	30	32	32	36
<b>†E<sup>SQ.</sup></b>	33 1/2	38 1/2	44 1/2	50 1/2	56 1/2	66	72
<b>Ro<sup>SQ.</sup></b>	29	34	40	46	52	61 1/2	67 1/2
<b>F<sup>(MAX.)</sup></b>	15	15	15	18	18	18	18

† Outside dimension of curb should be 1 1/2" less than 'E' dimension.

All dimensions in inches.

**Material:** Galvanized Steel Housing (Aluminum housing is available as an option).

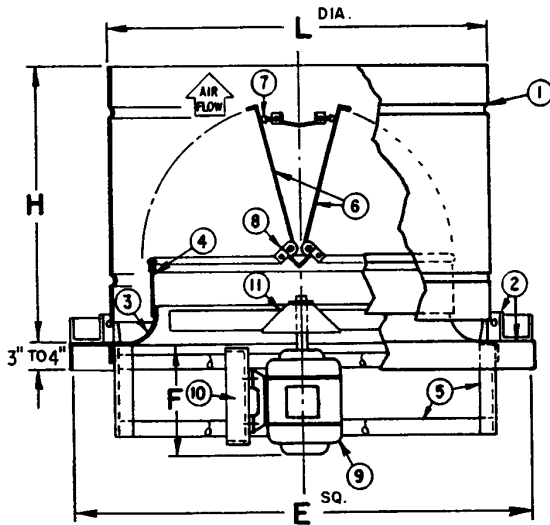
 <p><b>PENNBARRY™</b></p> <p>1401 North Plano Road, Richardson, TX 75081 Ph: 972.234.3202 Fax: 972.497.0468 www.PennBarry.com</p>	<h2 style="margin: 0;">Submittal Sheet</h2> <h3 style="margin: 0;">Hi-Ex HiteSaver - Model HS</h3> <h4 style="margin: 0;">Upblast Axial Roof Exhauster</h4> <h4 style="margin: 0;">Direct and Belt Drive</h4>
--	---

This drawing illustrates our understanding of order requirements. When approved, it represents details for fabrication, as such, PennBarry will not be responsible for revisions in the field or other changes after release for fabrication. Published and protected by PennBarry, Richardson, TX. All rights reserved. May not be reproduced partially or in full without permission from the publisher. No rights conveyed to manufacture partially or in full, use or sell either the method of construction represented or any invention in any way related thereto.

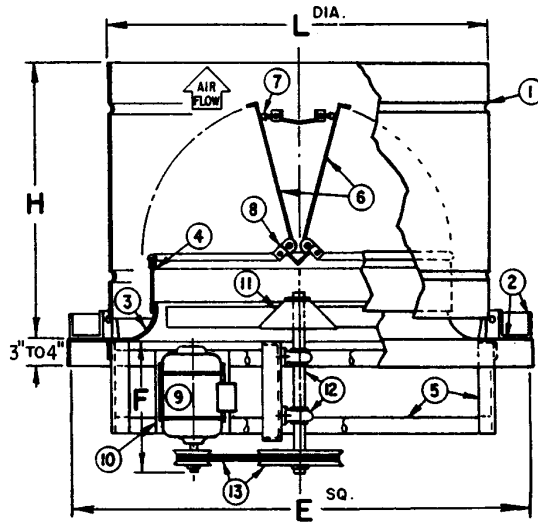
**Form ES-HS**  
Revised March 2005

# Hi-Ex HiteSaver - Model HZ

## Direct Drive

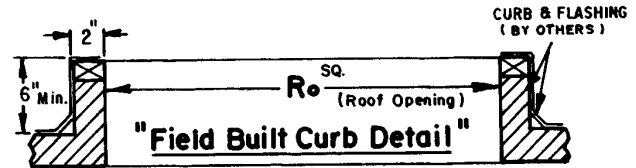


## Belt Drive



### Legend

1. Protective Windband (Ribbed reinforced)
2. Curb base with lifting lugs
3. Venturi-type orifice
4. Throat with top gasket
5. Welded steel internal bracing
6. Butterfly damper assembly
7. Damper stop-rubber cushioned
8. Rain channel and damper bearings
9. Ball bearing motor
10. Motor mounting plate
11. Propeller (Cast aluminum airfoil)
12. Fan shaft and bearings (Belt drive)
13. Belt and pulleys (Belt drive)



### Dimensional Data

	HZ24	HZ30	HZ36	HZ42	HZ48	HZ54	HZ60	HZ72
L <sup>DIA.</sup>	33	39	45	51	57	63	69	80
H	22	25	31	34	37	40	41	49
†E <sup>SQ.</sup>	36	42	48	54	60	66	72	84
F Max.	Direct	15	16	18	20	22	24	—
	Belt	16 1/2	17 1/2	20	22	22	22	27
Ro <sup>SQ.</sup>	30 1/2	36 1/2	42 1/2	48 1/2	54 1/2	60 1/2	66 1/2	78 1/2

† Outside dimension of curb should be 1 1/2" less than 'E' dimension.

All dimensions in inches.

**Material:** Galvanized Steel Housing (Aluminum housing is available as an option).



PENNBARRY™

1401 North Plano Road, Richardson, TX 75081

Ph: 972.234.3202 Fax: 972.497.0468

www.PennBarry.com

## Submittal Sheet

### Hi-Ex HiteSaver - Model HZ

#### Upblast Axial Roof Exhauster

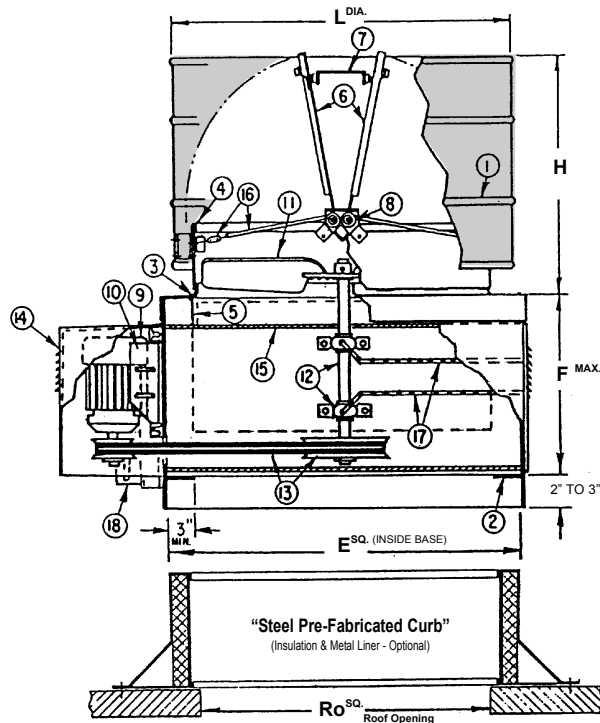
#### Direct and Belt Drive

This drawing illustrates our understanding of order requirements. When approved, it represents details for fabrication, as such, PennBarry will not be responsible for revisions in the field or other changes after release for fabrication. Published and protected by PennBarry, Richardson, TX. All rights reserved. May not be reproduced partially or in full without permission from the publisher. No rights conveyed to manufacture partially or in full, use or sell either the method of construction represented or any invention in any way related thereto.

**Form ES-HZ**

Revised March 2005

# Hi-Ex HiteSaver - Model HS-HS



**Must Specify Heat and Smoke Option when Ordering.**

## Legend

- |  |  |
|--|--|
| 1. Protective Windband (Ribbed Reinforced) | 11. Propeller (Fabricated Steel)                                 |
| 2. Curb Base                               | 12. Fan Shaft & Bearings   |
| 3. Venturi-type Orifice                    | 13. V-Belt & Pulleys (Double Groove Min. High Temperature Belts) |
| 4. Throat with Top Gasket                  | 14. Motor Weather Cover (Remote Drive)                           |
| 5. Welded Steel Internal Bracing           | 15. Belt & Bearing Breather Duct Enclosure                       |
| 6. Butterfly Damper Assembly               | 16. Torsion Springs & Fusible Links - 165°F                      |
| 7. Damper-Stop Rubber Cushioned            | 17. Extended Grease Lines & Fittings (Optional)                  |
| 8. Rain Channel & Damper Bearings          | 18. Disconnect Switch - (Remote Outside Mounted - Optional)      |
| 9. Ball Bearing Motor                      |  |
| 10. Motor Mounting Plate                   |  |

## Dimensional Data

	HS24	HS30	HS36	HS42	HS48	HS54	HS60
L <sup>DIA</sup>	33	36	42	48	54	60	66
H	22	24	26	30	32	32	36
†E <sup>SQ.</sup>	33 1/2	38 1/2	44 1/2	50 1/2	56 1/2	66	72
Ro <sup>SQ.</sup>	30	34	40	46	52	61 1/2	67 1/2
F <sup>MAX.</sup>	24	24	24	24	24	24	24

† Outside dimension of curb should be 1 1/2" less than 'E' dimension.

All dimensions are in inches.

**Material:** Galvanized steel



PENNBARRY™

1401 North Plano Road, Richardson, TX 75081

Ph: 972.234.3202 Fax: 972.497.0468

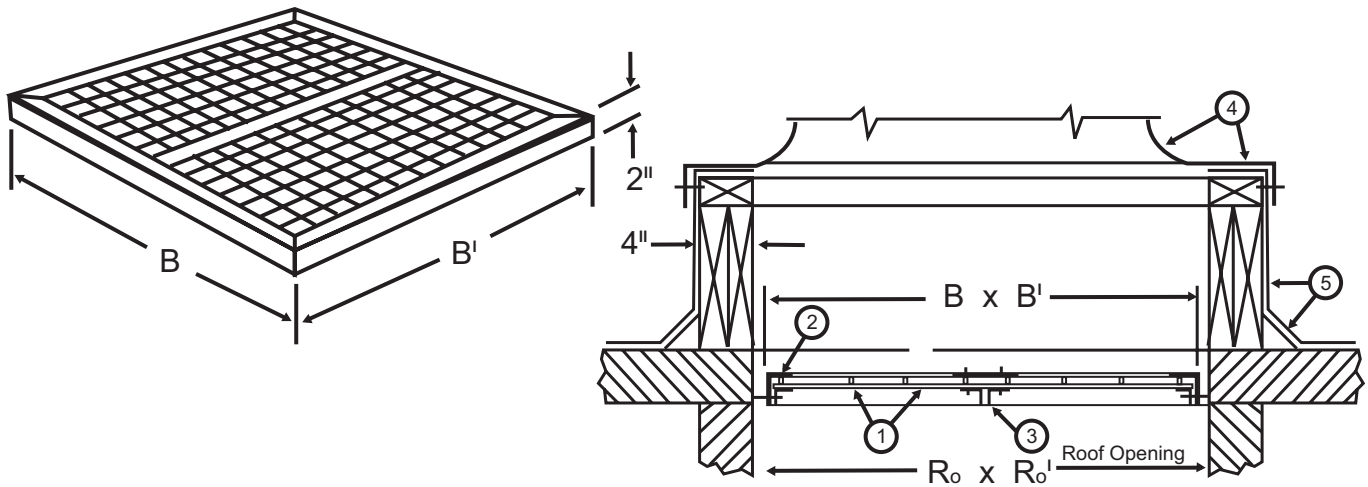
www.PennBarry.com

**Submittal Sheet**  
**Hi-Ex HiteSaver - Model HS-HS**  
**Heat and Smoke**  
**Upblast Propeller Roof Exhauster**

This drawing illustrates our understanding of order requirements. When approved, it represents details for fabrication, as such, PennBarry will not be responsible for revisions in the field or other changes after release for fabrication. Published and protected by PennBarry, Richardson, TX. All rights reserved. May not be reproduced partially or in full without permission from the publisher. No rights conveyed to manufacture partially or in full, use or sell either the method of construction represented or any invention in any way related thereto.

**Form ES-HS-HS**  
 Revised March 2005

# Hi-Ex Safety Screen for Mounting in Room Opening



## Legend

1. Wire Mesh #12 Ga. (2" X 2")
2. Perimeter Angle Frame - (sizes 60" & 72" only)
3. Center Support - (sizes 48" & Larger)
4. Hi-Ex Ventilator Base
5. Curb and Flashing (By Others)

## Field Built Roof Curb (Screen Mounted in Roof Opening)

## Dimensional Data

		24	30	36	42	48	54	60	72	84
<b>HC, HF, HX</b>	Ro X Ro'	26 X 26	32 X 32	38 X 38	44 X 44	51 X 51	57 X 57	63 X 63	75 X 75	NA
	B X B'	25 <sup>1</sup> / <sub>2</sub> X 25 <sup>1</sup> / <sub>2</sub>	31 <sup>1</sup> / <sub>2</sub> X 31 <sup>1</sup> / <sub>2</sub>	37 <sup>1</sup> / <sub>2</sub> X 37 <sup>1</sup> / <sub>2</sub>	43 <sup>1</sup> / <sub>2</sub> X 43 <sup>1</sup> / <sub>2</sub>	50 <sup>1</sup> / <sub>2</sub> X 50 <sup>1</sup> / <sub>2</sub>	56 <sup>1</sup> / <sub>2</sub> X 56 <sup>1</sup> / <sub>2</sub>	62 <sup>1</sup> / <sub>2</sub> X 62 <sup>1</sup> / <sub>2</sub>	74 <sup>1</sup> / <sub>2</sub> X 74 <sup>1</sup> / <sub>2</sub>	NA
<b>HZ*</b>	Ro X Ro'	30 <sup>1</sup> / <sub>2</sub> X 30 <sup>1</sup> / <sub>2</sub>	36 <sup>1</sup> / <sub>2</sub> X 36 <sup>1</sup> / <sub>2</sub>	42 <sup>1</sup> / <sub>2</sub> X 42 <sup>1</sup> / <sub>2</sub>	48 <sup>1</sup> / <sub>2</sub> X 48 <sup>1</sup> / <sub>2</sub>	54 <sup>1</sup> / <sub>2</sub> X 54 <sup>1</sup> / <sub>2</sub>	60 <sup>1</sup> / <sub>2</sub> X 60 <sup>1</sup> / <sub>2</sub>	66 <sup>1</sup> / <sub>2</sub> X 66 <sup>1</sup> / <sub>2</sub>	78 <sup>1</sup> / <sub>2</sub> X 78 <sup>1</sup> / <sub>2</sub>	90 <sup>1</sup> / <sub>2</sub> X 90 <sup>1</sup> / <sub>2</sub>
	B X B'	30 X 30	36 X 36	42 X 42	48 X 48	54 X 54	60 X 60	66 X 66	78 X 78	90 X 90
<b>HS*</b>	Ro X Ro'	29 X 29	34 X 34	40 X 40	46 X 46	52 X 52	61 <sup>1</sup> / <sub>2</sub> X 61 <sup>1</sup> / <sub>2</sub>	67 <sup>1</sup> / <sub>2</sub> X 67 <sup>1</sup> / <sub>2</sub>	NA	NA
	B X B'	28 <sup>1</sup> / <sub>2</sub> X 28 <sup>1</sup> / <sub>2</sub>	33 <sup>1</sup> / <sub>2</sub> X 33 <sup>1</sup> / <sub>2</sub>	39 <sup>1</sup> / <sub>2</sub> X 39 <sup>1</sup> / <sub>2</sub>	45 <sup>1</sup> / <sub>2</sub> X 45 <sup>1</sup> / <sub>2</sub>	51 <sup>1</sup> / <sub>2</sub> X 51 <sup>1</sup> / <sub>2</sub>	61 X 61	67 X 67	NA	NA

\*On models 'HZ' and 'HS' where drive assembly hangs below inside roof curb, a minimum clearance of 4" for safety screen should be allowed.

All dimensions in inches.

**Material:** Galvanized Steel

<p><b>PENNBARRY™</b> 1401 North Plano Road, Richardson, TX 75081 Ph: 972.234.3202 Fax: 972.497.0468 www.PennBarry.com</p>	<h2 style="margin: 0;">Submittal Sheet</h2> <h3 style="margin: 0;">Hi-Ex "Safety Screen"</h3>
---	---

This drawing illustrates our understanding of order requirements. When approved, it represents details for fabrication, as such, PennBarry will not be responsible for revisions in the field or other changes after release for fabrication. Published and protected by PennBarry, Richardson, TX. All rights reserved. May not be reproduced partially or in full without permission from the publisher. No rights conveyed to manufacture partially or in full, use or sell either the method of construction represented or any invention in any way related thereto.