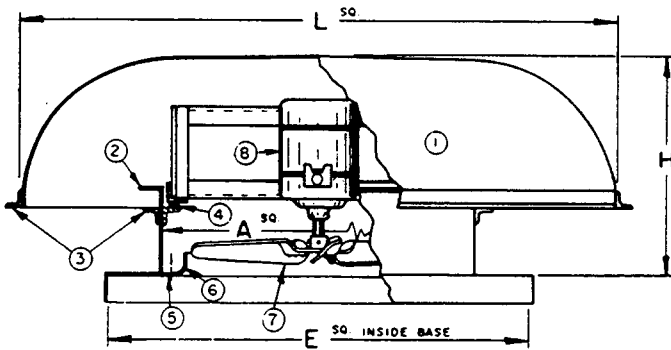
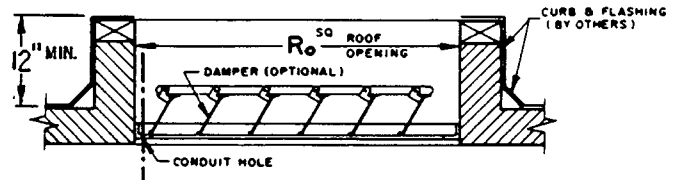
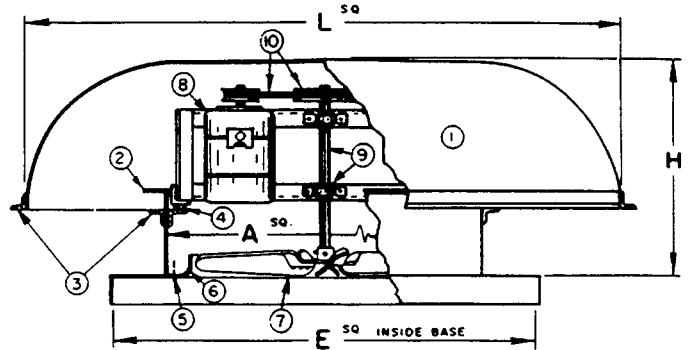


# Airette

## Direct Drive



## Belt Drive



"Field Built Curb"

### Legend

1. Access Hood
2. Weather Baffle
3. Angle Frame
4. Anti-Vibration Mounts
5. Conduit Space
6. Fan Inlet Venturi
7. Axial Impeller
8. Electric Motor
9. Fan Shaft & Bearings (Belt Drive Only)
10. Belt & Pulleys (Belt Drive Only)

Installing contractors should secure mounting base to roof curbs with lag bolts and washers or other proper fasteners 12" O.C. When hoods are removed from airshafts during erection, installation contractors are cautioned to reset hoods properly with all fasteners drawn fully tight. In areas subjected to high winds, it is recommended that large units be guyed down.

### Dimensional Data

		24	30	36	42	48	54	60	72
L	Supply*	48	57	66	75	84	93	101 x 128	93 x 190
	Exhaust	39	48	57	66	75	84	93	93 x 160
H		21	25	25	29	29	31	33	43
A		26	32	38	44	50	56	62	74
Ro		25	31	36	44	50	55	62	72
E†		35	41	47	53	59	65	71	83

† Outside dimension of curb should be 1 1/2" less than 'E' dimension.

All dimensions in inches.

\* Standard hood dimensions for supply units, larger hoods may be required for proper intake velocity.

**Material:** Galvanized Steel Housing (Aluminum housing available as an option).



PENNBARRY™

1401 North Plano Road, Richardson, TX 75081

Ph: 972.234.3202 Fax: 972.497.0468

www.PennBarry.com

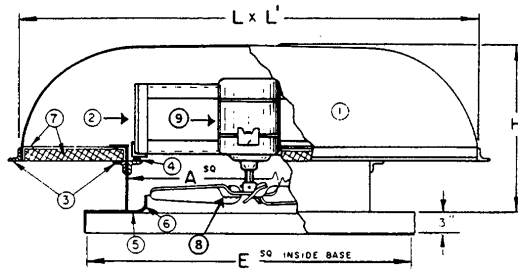
## Submittal Sheet

### Airette

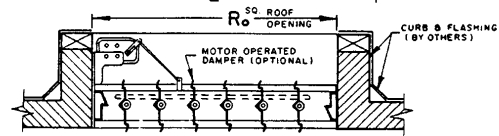
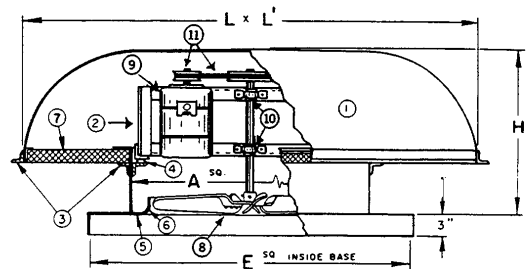
**Direct and Belt Drive  
Axial Flow Propeller Roof Ventilators  
Exhaust or Supply**

# Supply Airette with Filters

## Direct Drive

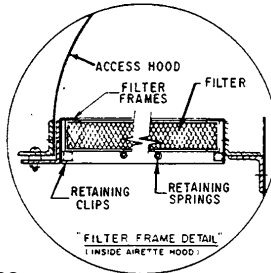


## Belt Drive



### Legend

1. Access Hood
2. Motor Support Frame
3. Angle Frame
4. Anti-Vibration Mounts
5. Conduit Space
6. Fan Inlet Venturi
7. Removable Filters with Frames
8. Axial Impeller
9. Electric Motor
10. Fan Shaft & Bearings (Belt Drive Only)
11. Belt & Pulleys (Belt Drive Only)



Installing contractors should secure mounting base to roof curbs with lag bolts and washers or other proper fasteners 12" O.C. When hoods are removed from airshafts during erection, installation contractors are cautioned to reset hoods properly with all fasteners drawn fully tight. In areas subjected to high winds, it is recommended that large units be guyed down.


### Dimensional Data

	24	30	36	42	48	54	60
L X L'	61 x 61	68 x 76	81 x 91	101 x 101	117 x 121	101 x 161	117 x 167
H	26	29	29	31	31	37	36
A	26	32	38	44	50	56	62
Ro	25	31	36	44	50	55	62
E†	35	41	47	53	59	65	71
Filters Qty (Size)	8(16 x 25)	6(16 x 25) 2(20 x 25)	4(16 x 20) 8(20 x 25)	14(20x25)	8(16 x 25) 12(20 x 25)	24(20 x 25)	28(20 x 25)

† Outside dimension of curb should be 1 1/2" less than 'E' dimension.

All dimensions in inches.

**Material:** Galvanized Steel Housing (Aluminum housing available as an option).

 <p><b>PENNBARRY™</b></p> <p>1401 North Plano Road, Richardson, TX 75081 Ph: 972.234.3202 Fax: 972.497.0468 www.PennBarry.com</p>	<h2 style="margin: 0;">Submittal Sheet</h2> <h3 style="margin: 0;">Airette</h3> <p style="margin: 0;"><b>Direct and Belt Drive Axial Flow Propeller Roof Ventilators Supply with Filters</b></p>
--	--

This drawing illustrates our understanding of order requirements. When approved, it represents details for fabrication, as such, PennBarry will not be responsible for revisions in the field or other changes after release for fabrication. Published and protected by PennBarry, Richardson, TX. All rights reserved. May not be reproduced partially or in full without permission from the publisher. No rights conveyed to manufacture partially or in full, use or sell either the method of construction represented or any invention in any way related thereto.

**Form ES-AC1, AF1**  
Revised March 2005