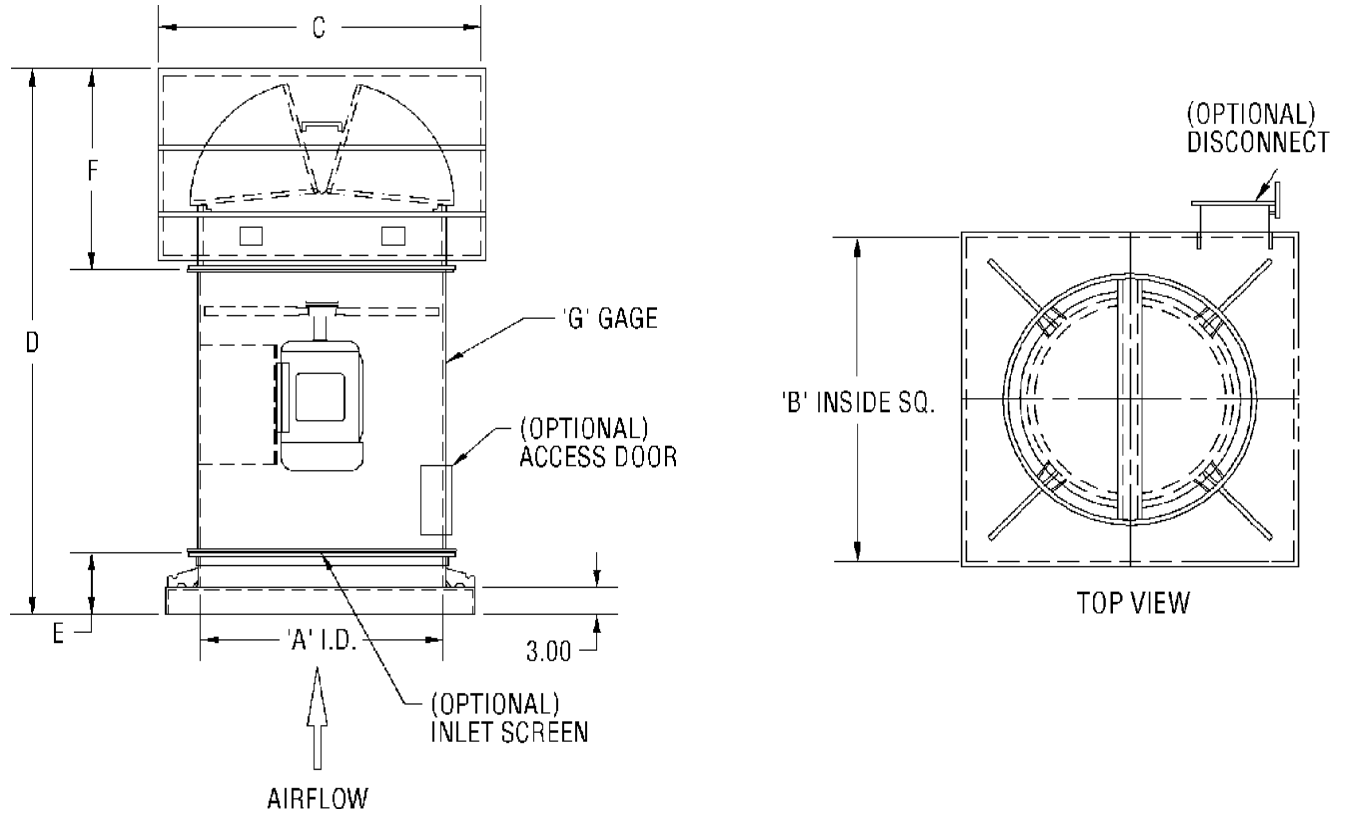


Upblast Roof Ventilator Model UTD - Direct Drive



Dimensional Data

Size	A	B	C	D, Mtr. Frame Size									E	F	G	Unit Weight
				48-56	143-145	182-184	213-215	254-256	284-286	324-326	364-365	404-405				
012	12.19	22.00	19.88	43.10	43.10	-	-	-	-	-	-	-	4.75	20.35	14	80
015	15.19	25.00	22.88	45.60	45.60	51.60	-	-	-	-	-	-	5.25	22.35	12	130
018	18.19	28.00	26.00	47.10	47.10	53.10	53.10	-	-	-	-	-	5.75	23.35	12	160
021	21.22	31.00	29.19	49.60	49.60	55.60	55.60	-	-	-	-	-	5.75	25.85	12	200
024	24.25	34.00	32.19	57.10	57.10	57.10	57.10	63.10	-	-	-	-	6.25	26.85	12	250
027	27.28	40.00	35.28	58.10	58.10	58.10	58.10	64.10	-	-	-	-	6.25	27.85	12	350
030	30.31	42.00	38.60	-	62.10	62.10	62.10	68.10	68.10	-	-	-	6.25	31.85	12	400
032	32.34	44.00	40.42	-	64.60	64.60	64.60	70.60	70.60	-	-	-	6.75	33.85	12	450
036	36.38	48.00	44.50	-	65.10	65.10	65.10	71.10	77.10	77.10	-	-	7.25	33.85	10	600
042	42.44	54.00	50.62	-	-	69.85	75.85	75.85	81.85	81.85	-	-	8.00	37.85	10	750
048	48.50	60.00	56.68	-	-	71.35	77.35	77.35	83.35	83.35	83.35	-	8.00	39.35	10	900
054	54.56	66.00	62.75	-	-	-	-	77.35	77.35	83.35	83.35	89.35	8.25	41.35	7	1250
060	60.63	72.00	68.88	-	-	-	-	87.60	87.60	93.60	93.60	99.60	8.25	43.35	7	1500

- Notes:
1. Approximate fan weights are less motor and accessories.
 2. Units are available with 091, 097 and 098 props
 3. Dimensions should not be used for construction. Certified drawings are available upon request.

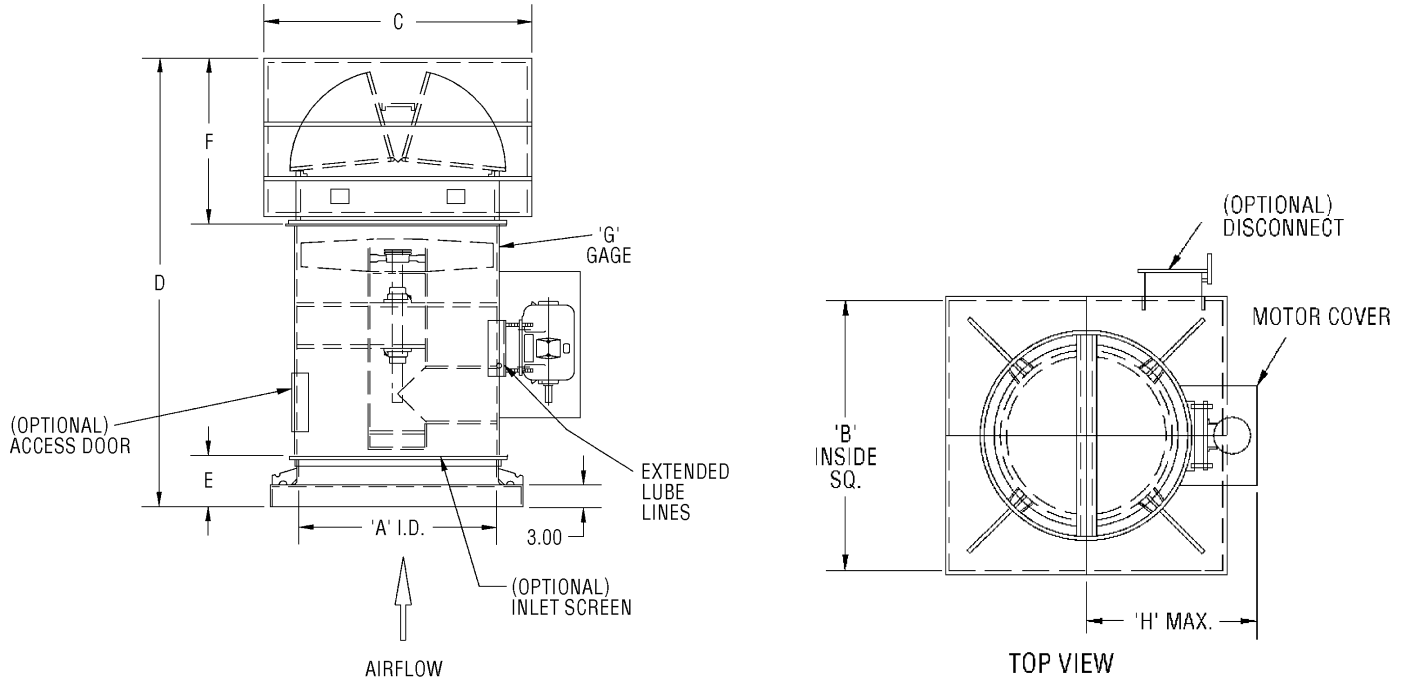


PENNBARRY™

1401 North Plano Road, Richardson, TX 75081
Ph: 972.234.3202 Fax: 972.497.0468
www.PennBarry.com

Submittal Sheet Model UTD Upblast Roof Ventilator Direct Drive

Upblast Roof Ventilator Model UTB - Belt Drive



Dimensional Data

Size	A	B	C	D				E	F	G	H	Unit Weight
				Design 1	Max. Mtr.	Design 2	Max. Mtr.					
012	12.19	22.00	19.88	49.10	184	-	-	4.75	20.35	14	26.00	140
015	15.19	25.00	22.88	55.60	215	-	-	5.25	22.35	12	27.50	170
018	18.19	28.00	26.00	57.10	215	-	-	5.75	23.35	12	30.00	240
021	21.22	31.00	29.19	59.60	256	-	-	5.75	25.85	12	31.50	290
024	24.25	34.00	32.19	61.10	215	65.10	286	6.25	26.85	12	36.25	380
027	27.28	40.00	35.28	62.10	215	66.10	286	6.25	27.85	12	37.75	450
030	30.31	42.00	38.60	66.10	215	74.10	286	6.25	31.85	12	40.25	560
032	32.34	44.00	40.42	68.60	215	76.60	326	6.75	33.85	12	42.75	600
036	36.38	48.00	44.50	77.10	256	83.10	326	7.25	33.85	10	44.75	830
042	42.44	54.00	50.62	81.85	256	87.85	365	8.00	37.85	10	49.25	980
048	48.50	60.00	56.68	89.35	286	95.35	405	8.00	39.35	10	54.25	1350
054	54.56	66.00	62.75	97.60	286	103.60	405	8.25	41.35	7	57.25	1800
060	60.63	72.00	68.88	99.60	286	105.60	405	8.25	43.35	7	60.25	2050

Notes:

1. Approximate fan weights are less motor and accessories.
2. Units are available with 091, 097 and 098 props.
3. Dimensions should not be used for construction. Certified drawings are available upon request.



PENNBARRY™

1401 North Plano Road, Richardson, TX 75081
Ph: 972.234.3202 Fax: 972.497.0468
www.PennBarry.com

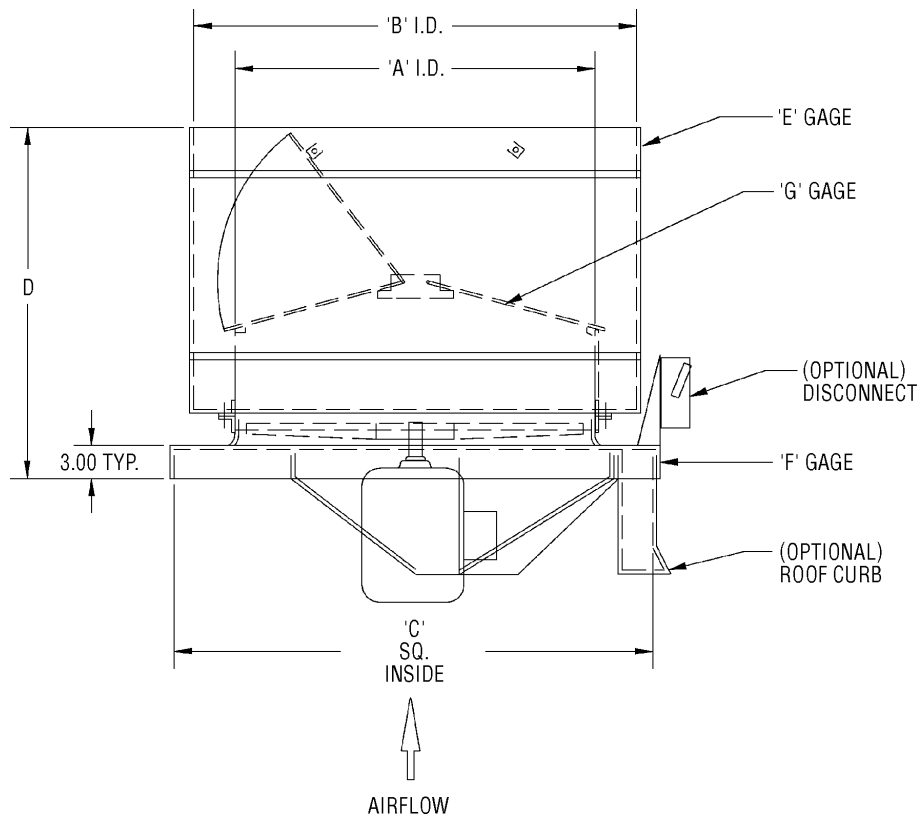
Submittal Sheet Model UTB Upblast Roof Ventilator Belt Drive

This drawing illustrates our understanding of order requirements. When approved, it represents details for fabrication, as such, PennBarry will not be responsible for revisions in the field or other changes after release for fabrication. Published and protected by PennBarry, Richardson, TX. All rights reserved. May not be reproduced partially or in full without permission from the publisher. No rights conveyed to manufacture partially or in full, use or sell either the method of construction represented or any invention in any way related thereto.

Form ES-URV-UTB
Revised March 2005

Upblast Roof Ventilator

Model ULD - Low Silhouette, Direct Drive



Dimensional Data

Size	A	B	C	D	E	F	G	Max. Mtr.	Unit Weight
018	18.19	26.00	28.00	29.10	18	14	18	184	130
021	21.22	29.19	31.00	31.60	18	14	18	184	160
024	24.25	32.19	34.00	33.10	18	14	18	184	190
027	27.28	35.28	40.00	34.10	18	14	18	184	220
030	30.31	38.60	42.00	38.10	18	14	18	184	260
032	32.34	40.42	44.00	40.60	18	14	18	215	300
036	36.38	44.50	48.00	41.10	18	14	18	256	350
042	42.44	50.62	54.00	45.85	18	14	18	256	470
048	48.50	56.68	60.00	47.35	18	14	18	286	590
054	54.56	62.75	66.00	49.60	16	14	18	326	740
060	60.63	68.88	72.00	51.60	16	14	18	326	870

- Notes:**
1. Approximate fan weights are less motor, drive and accessories.
 2. Units are available with 091, 097 and 098 props.
 3. Dimensions should not be used for construction. Certified drawings are available upon request



PENNBARRY™

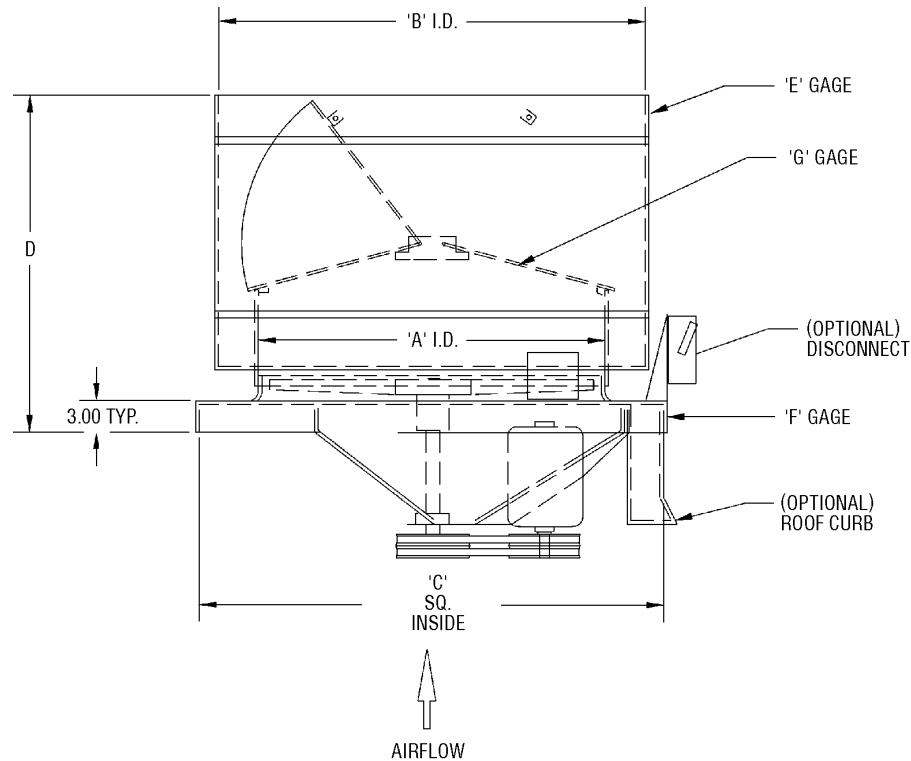
1401 North Plano Road, Richardson, TX 75081
 Ph: 972.234.3202 Fax: 972.497.0468
 www.PennBarry.com

Submittal Sheet

Model ULD - Low Silhouette Upblast Roof Ventilator Direct Drive

Upblast Roof Ventilator

Model ULB - Low Silhouette, Belt Drive



Dimensional Data

SIZE	A	B	C	D	E	F	G	Max. Mtr.	Unit Weight
024	24.25	32.19	34.00	33.10	18	14	18	184	200
027	27.28	35.28	40.00	34.10	18	14	18	184	230
030	30.31	38.60	42.00	38.10	18	14	18	184	270
032	32.34	40.42	44.00	40.60	18	14	18	215	320
036	36.38	44.50	48.00	41.10	18	14	18	256	370
042	42.44	50.62	54.00	45.85	18	14	18	256	500
048	48.50	56.68	60.00	47.35	18	14	18	256	620
054	54.56	62.75	66.00	49.60	16	14	18	256	770
060	60.63	68.88	72.00	51.60	16	14	18	256	900

- Notes:**
1. Approximate fan weights are less motor, drive and accessories.
 2. Units are available with 091, 097 and 098 props.
 3. Dimensions should not be used for construction. Certified drawings are available upon request.



PENNBARRY™

1401 North Plano Road, Richardson, TX 75081
 Ph: 972.234.3202 Fax: 972.497.0468
 www.PennBarry.com

Submittal Sheet

Model ULB - Low Silhouette Upblast Roof Ventilator Belt Drive