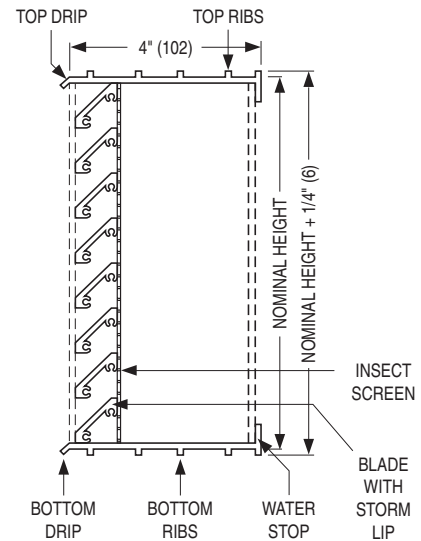


MODEL 16BVE

Model 16BVE features corrosion resistant extruded aluminum construction with top and bottom mortar ribs, ideal for new construction. Overlapping blades with storm lip exhibit a 35% free area and, combined with a rear frame water stop, minimize water penetration. Integral top and bottom drips prevent water from staining brick.

MODEL 16BVE STANDARD CONSTRUCTION:

- FRAME:** 4" (102) deep, Type 6063-T5 extruded aluminum, .125" (3.18) nominal wall thickness. Integral top and bottom mortar ribs.
 - BLADES:** 1" (25) deep on 1" (25) centers, Type 6063-T5 extruded aluminum, .125" (3.18) nominal wall thickness, fixed at 45 degrees, with integral storm lip.
 - SCREEN:** 18 x 14 mesh aluminum insect screen.
 - FINISH:** 204-R1 clear anodized finish. Optional finishes are available.
 - STD. SIZES:** See below. Non-standard sizes are also available.
- NOTE: For Model 16BVE, **heights** shown below do not include top and bottom mortar ribs (add 1/4" (6)).



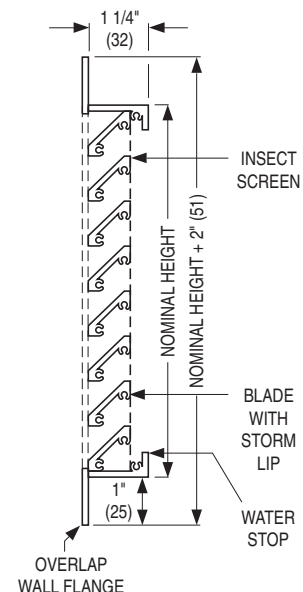
MODEL 16BVE

MODEL 16BVF

Model 16BVF features corrosion resistant extruded aluminum construction with a flanged frame that is ideal for use in renovations or existing openings. The 1" (25) flange provides an attractive finished appearance that conceals any rough edges in the opening. Overlapping blades with storm lip exhibit a 35% free area and, combined with a rear frame water stop, minimize water penetration.

MODEL 16BVF STANDARD CONSTRUCTION:

- FRAME:** 1 1/4" (32) deep, with integral 1" (25) flange, Type 6063-T5 extruded aluminum, .125" (3.18) nominal wall thickness.
 - BLADES:** 1" (25) deep on 1" (25) centers, Type 6063-T5 extruded aluminum, .125" (3.18) nominal wall thickness, fixed at 45 degrees, with integral storm lip.
 - SCREEN:** 18 x 14 mesh aluminum insect screen.
 - FINISH:** 204-R1 clear anodized finish. Optional finishes are available.
 - STD. SIZES:** See below. Non-standard sizes are also available.
- NOTE: For Model 16BVF, **widths** shown below do not include blade fasteners (add 1/4" (6)).



MODEL 16BVF

MODELS 16BVE & 16BVF STANDARD SIZES (Width x Height):

8 1/8" x 2 3/8" (206 x 60)	12" x 7 3/4" (305 x 197)	16 1/2" x 2 3/8" (419 x 60)	24" x 4 3/4" (610 x 121)
8 1/8" x 4 3/4" (206 x 121)	12" x 11 3/4" (305 x 298)	16 1/2" x 4 3/4" (419 x 121)	24" x 7 3/4" (610 x 197)
8 1/8" x 7 3/4" (206 x 197)	15 5/8" x 7 3/4" (397 x 197)	16 1/2" x 7 3/4" (419 x 197)	32" x 7 3/4" (813 x 197)
12" x 4 3/4" (305 x 121)	15 5/8" x 15 3/4" (397 x 400)	16 1/2" x 15 3/4" (419 x 400)	48" x 7 3/4" (1219 x 197)