



**FORMED STEEL STATIONARY LOUVER**  
**6" (152) DEEP • DRAINABLE BLADE**  
**HIGH PERFORMANCE**  
**MODEL: 1706DHP (1706SDHP)**

Model 1706DHP, high performance drainable blade type formed steel louver, provides excellent weather protection in a 6" (152) deep frame, with superior air performance and pleasing aesthetics that compliment any structure's exterior styling. Suitable for use in exhaust and low to medium velocity intake applications, the drainable blade design utilizes rain gutters that divert collected water down concealed side downspouts and out the sill. Galvanized steel construction is economical, yet durable and the design provides excellent air performance at higher velocities through it's 56% free area as well as maximum protection against the elements. Model 1706DHP is available with channel or flanged type frame to suit most architectural and mechanical installation requirements.

**STANDARD CONSTRUCTION:**

- FRAME:** 6" (152) deep, 20 ga. (1.0) formed galvanized steel.
- BLADES:** 20 ga. (1.0) formed galvanized steel. Drainable style.
- BLADE ANGLE:** Fixed at 37.5 degrees.
- BLADE SPACING:** Approx. 4 1/2" (114) on centers.
- SCREEN:** 1/2" x 1/2" x 19 ga. (13 x 13 x 1.0) galvanized bird screen in removable frame (adds approximately 3/8" [10] to louver depth).
- FINISH:** Mill.
- MINIMUM SIZE:** 12" wide x 12" high (305 x 305).
- MAXIMUM SINGLE SECTION SIZE:** 60" wide x 96" high (1524 x 2438). Larger louvers will require field assembly of smaller sections.

**OPTIONS:**

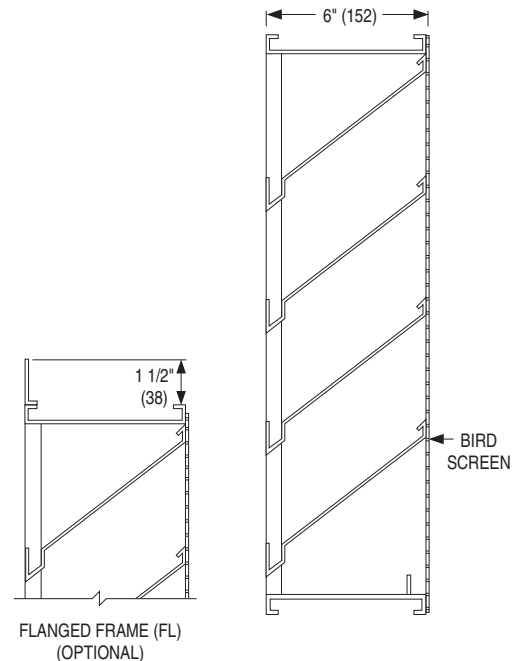
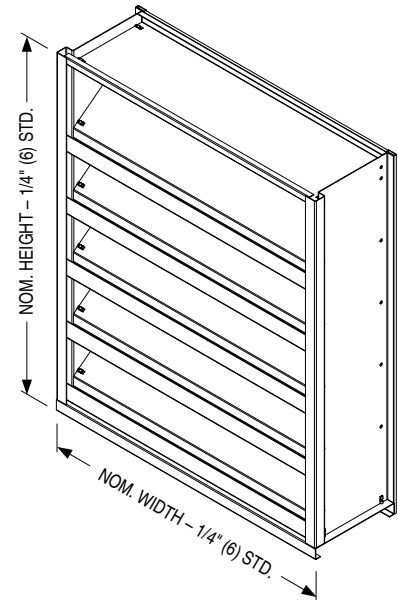
- FL** Flanged Frame.
- BSA** Aluminum Bird Screen.
- BSSS** Type 304 S.S. Bird Screen.
- BSN** No Bird Screen.
- ISA** Aluminum Insect Screen.
- ISSS** Type 304 S.S. Insect Screen.
- 18GA** 18 Gauge Construction.
- 16GA** 16 Gauge Construction.
- 304** Type 304 S.S. Construction.
- 316** Type 316 S.S. Construction.
- WE** Welded Construction.
- ESI** Extended Sill.
- FR1** 1" (25) Filter Rack.
- FR2** 2" (51) Filter Rack.
- PAC** Perimeter Anchor Clips.

**OPTIONAL FINISHES:**

- PC3** Powder Coat AAMA 2603. Color: \_\_\_\_\_.
- PC4** High Performance Powder Coat AAMA 2604 (Equivalent to 50% Kynar®). Color: \_\_\_\_\_.
- PC5** Fluoropolymer Powder Coat AAMA 2605 (Equivalent to 70% Kynar®). Color: \_\_\_\_\_.
- PCC** Prime Coat.

**OPTIONAL W x H SIZING (1/4" [6.5] Undersize standard):**

- U00** Exact Size.
- U38** Undersize 3/8" (9.5).
- U50** Undersize 1/2" (12.7).



<b>SCHEDULE TYPE:</b>
<b>PROJECT:</b>
<b>ENGINEER:</b>
<b>CONTRACTOR:</b>

Page 1 of 2  
 Dimensions are in inches (mm).

DATE	B SERIES	SUPERSEDES	DRAWING NO.
12 - 1 - 10	1700	1706SDHP-1 11 - 16 - 09	1706DHP