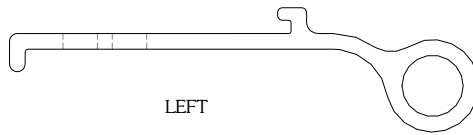
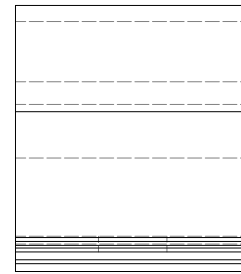


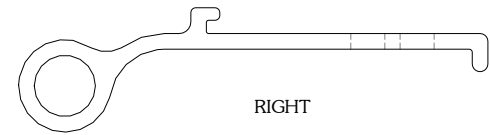
BACK



LEFT



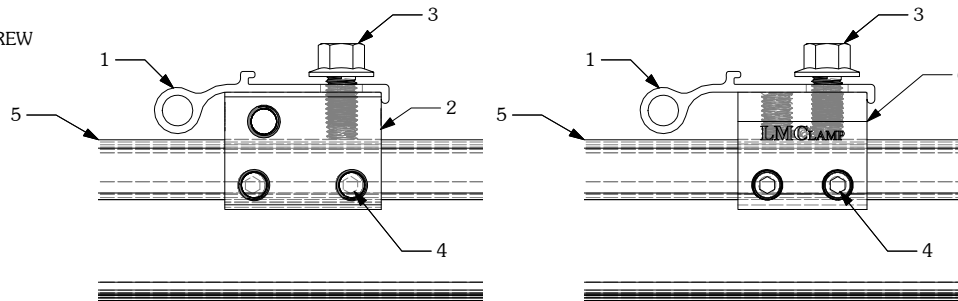
FRONT



RIGHT

Notes

1. SnoRod Strap LOWER
2. S-5-U CLAMP
3. M10-1.5 HEX FLANGE BOLT
4. 3/8-24 X .8" ROUND POINT SETSCREW
5. EXAMPLE PROFILE
6. LMCLAMP M10



MATERIAL: 6061 T6	LMCURBS 827 Fisher Road Longview, TX 75604 800-284-1412 903-759-3598 (Fax) www.lmcursb.com		
EST ASSEMBLY WEIGHT :	TITLE LMC Snow Strap - Lower		
SUPPLIED HARDWARE:	DRAWING NO.	DRAWN BY	DATE
SCALE: 1:0.75	OTHER:		
REV - 043014	Copyright 2014, LMCURBS		