



# S-5!<sup>®</sup>

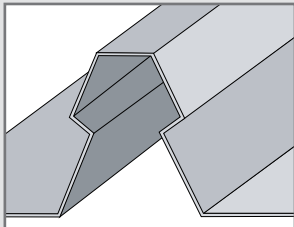
The Right Way!

The S-5-K Grip™ eliminates the large moment arm and features a low mounting surface area with the mounting bolt directly over the center of the seam, which dramatically increases the strength of the clamp.

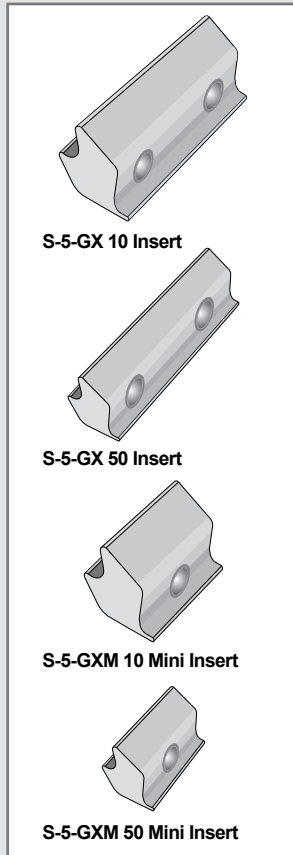
The S-5-K Grip™ and S-5-K Grip Mini clamps are each furnished with the hardware shown to the right. A structural aluminum attachment clamp, the S-5-K Grip is compatible with most common metal roofing materials excluding copper. All included hardware is stainless steel. Please visit [www.S-5.com](http://www.S-5.com) for more information including CAD details, metallurgical compatibilities, and specifications.

The S-5-K Grip clamp has been tested for load-to-failure results on a variety of standing seam roof profiles from leading panel manufacturers. The independent lab test reports found on our website at [www.S-5.com](http://www.S-5.com) prove that S-5!<sup>®</sup> holding strength is unmatched in the industry.

## Example Profile



## Insert Options



## Profiles

### S-5-GX 10 or S-5-GX 10 Mini

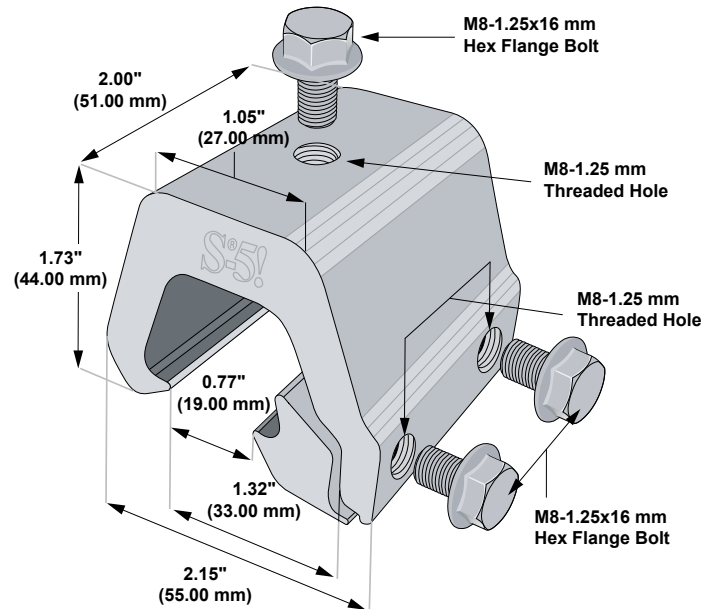
- LYSAGHT KLIP-LOK<sup>®</sup> 406
- McElroy Metal Mirage
- AEP Span Klip-Rib<sup>®</sup>
- Metal Sales Clip-Loc
- SpeedDeck<sup>®</sup> SpeedDeck<sup>®</sup>
- Safintra Saflok 410
- Safintra Saflok 700
- And other similar profiles

### S-5-GX 50 or S-5-GX 50 Mini

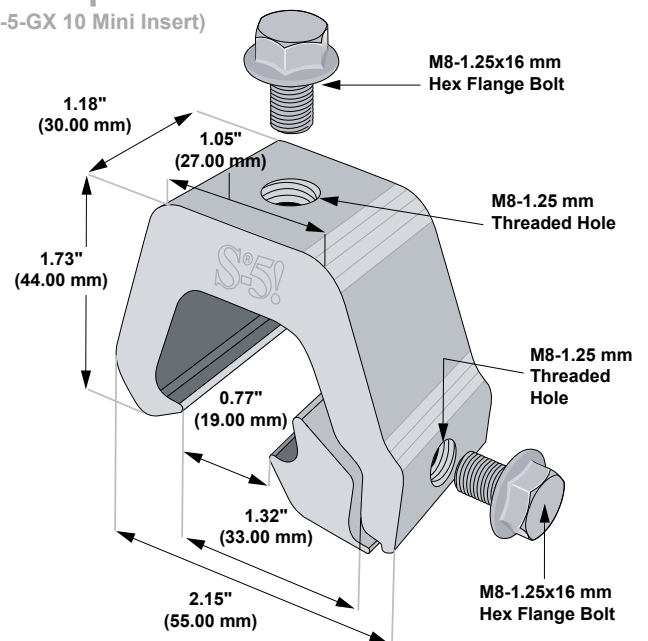
- LYSAGHT KLIP-LOK Classic<sup>®</sup> 700
- LYSAGHT KLIP-LOK 700 Hi-Strength<sup>®</sup>
- Stramit Speed Deck Ultra<sup>®</sup>
- Fielders KingKlip<sup>®</sup> 700
- And other similar profiles

If you have a profile not listed here, please contact S-5! to request a sample for testing.

## S-5-K Grip™ (With S-5-GX 10 Insert)



## S-5-K Grip™ Mini (With S-5-GX 10 Mini Insert)



Please note: All measurements are rounded to the second decimal place.

### S-5!<sup>®</sup> Warning! Please use this product responsibly!

Products are protected by multiple U.S. and foreign patents. For published data regarding holding strength, fastener torque, patents, and trademarks, visit the S-5! website at [www.S-5.com](http://www.S-5.com).

Copyright 2015, Metal Roof Innovations, Ltd.  
S-5! aggressively protects its patents, trademarks and copyrights. Version 052115.

Distributed by

P: 800-284-1412  
F: 903-759-3598  
W: [www.lmcurbs.com](http://www.lmcurbs.com)