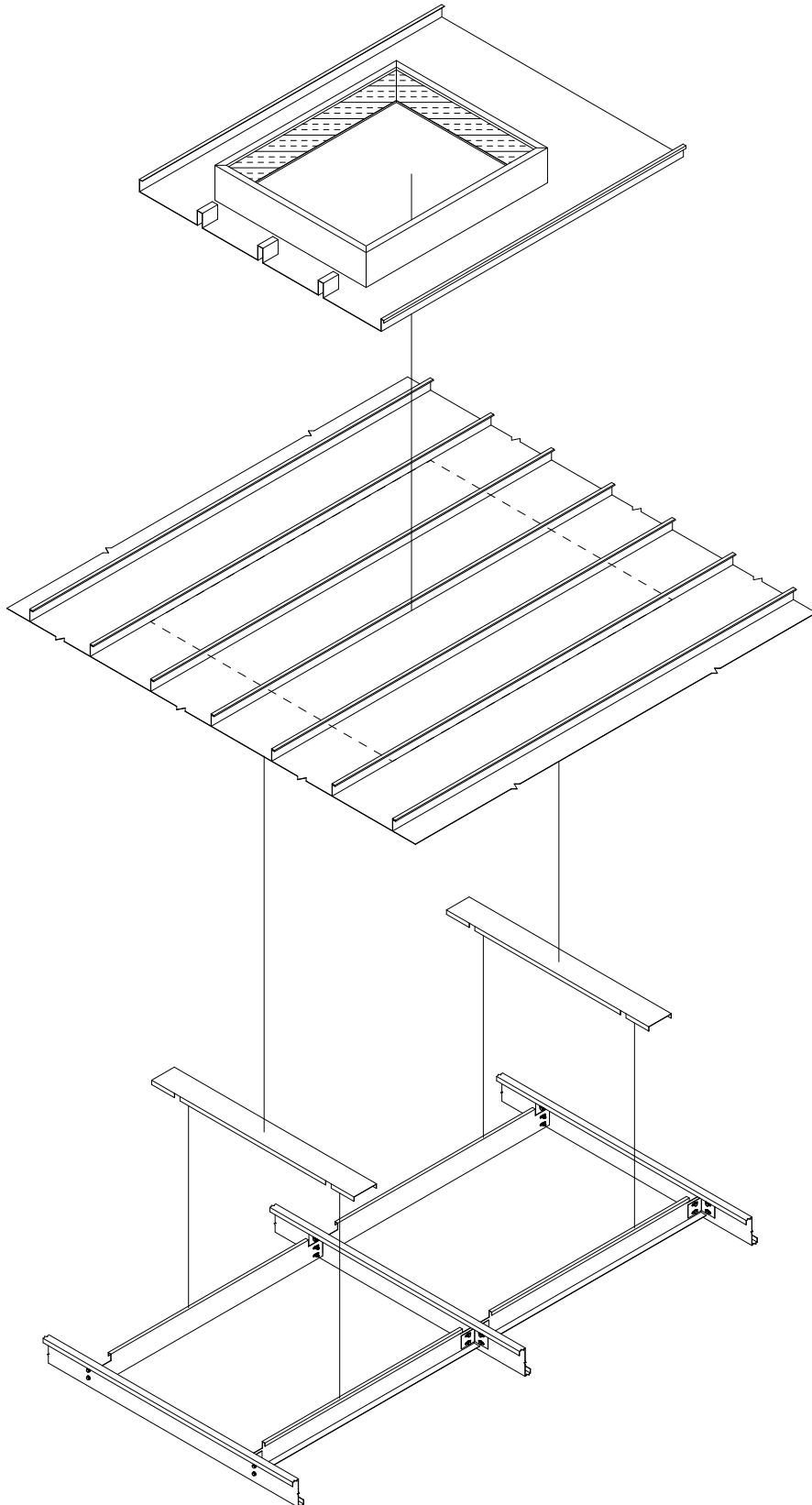







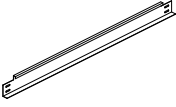
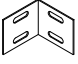


## ROOF CURB INSTALLATION INSTRUCTIONS: HORIZONTAL STANDING SEAM PANEL



### Installation Check List:

- \_\_\_ Attach Sub-Frames ..... Step 1
- \_\_\_ Layout Curb on Roof Panel ..... Step 2
- \_\_\_ Back-up Channels ..... Step 3
- \_\_\_ Apply Sealants & Set Curb in Place ..... Step 4
- \_\_\_ Fasten Curb to Roof Panel ..... Step 5

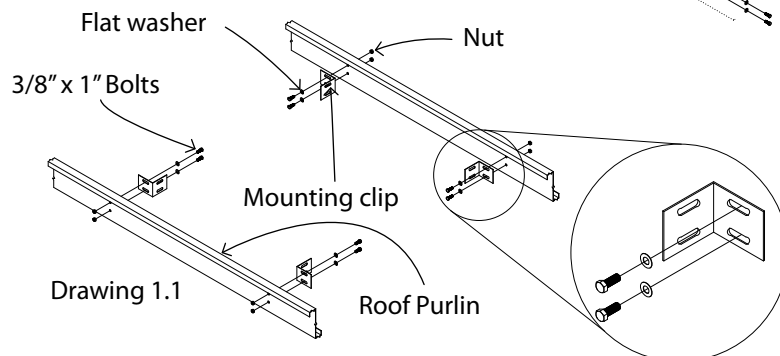
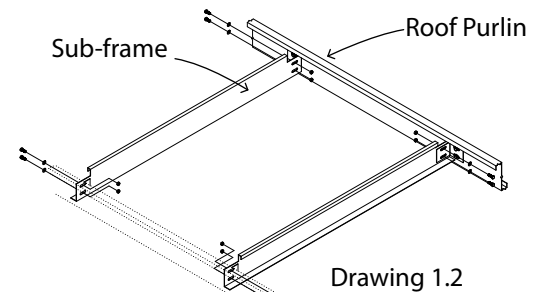
### PARTS LIST

	<u>Flat Washer</u>		<u>Polyurethane Sealant Caulk</u>
	<u>Nut</u>		<u>Triple Bead Sealant Tape</u>
	<u>Bolt</u>		<u>14 Gauge Galvanized Steel Subframe</u> 5-1/2" tall Length is equal to the purlin spacing minus 1-3/8"
	<u>Mounting Clip</u>		<u>Back-up Channels(field notch)</u>
	<u>#14 - 1 1/8" Neoprene Self-Tap Screw</u>		

## BEGIN INSTALLATION

### ① ATTACH SUB-FRAMES (framed opening is already installed)

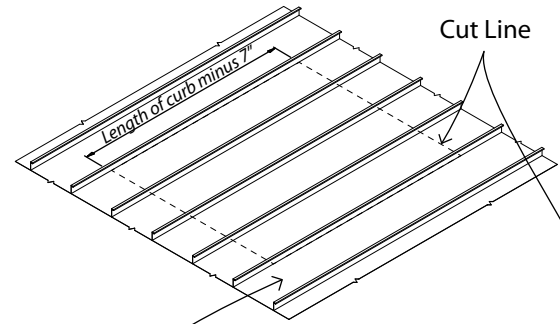
Attach mounting clips to sub-frame and align the top of the sub-frame under vertical box of roof curb and flush to the bottom side of roof sheets. Use the mounting clip as a template, mark on purlin where 7/16" holes are to be drilled. Once holes are drilled, attach mounting clips to purlins using flat washers, nuts, and bolts (see drawing 1.1). Finger tighten all hardware, then upset threads to secure nuts. Attach sub-frames to mounting clips using flat washers, nuts, and bolts (see drawing 1.2).



\*NOTICE\* Sub-frame max. loading 500 lbs.

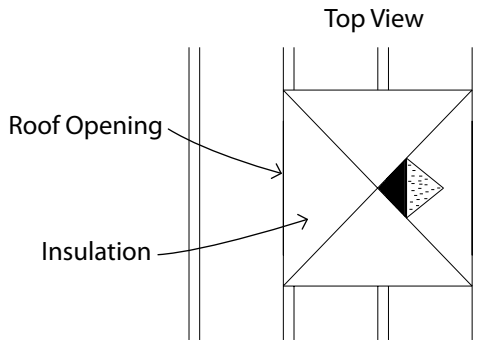
### ② LAYOUT CURB ON ROOF PANEL

Mark cut lines by setting roof curb(s) in place on roof panel (see drawing 2.1) (DO NOT USE LEAD PENCIL). Upslope cut line will be 3" less than outer edge of curb base flange (see drawing 2.2). Downslope cut line will be 4" less than outer edge of base flange (see drawing 2.2). Remove exterior panel leaving the insulation face showing (see drawing 2.3) and cleanup all metal shavings and debris.



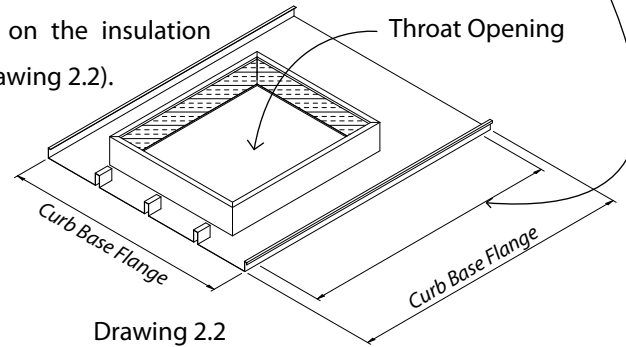
Drawing 2.1

Roof Panel



Drawing 2.3

Layout throat opening on the insulation and cut opening (see drawing 2.2).



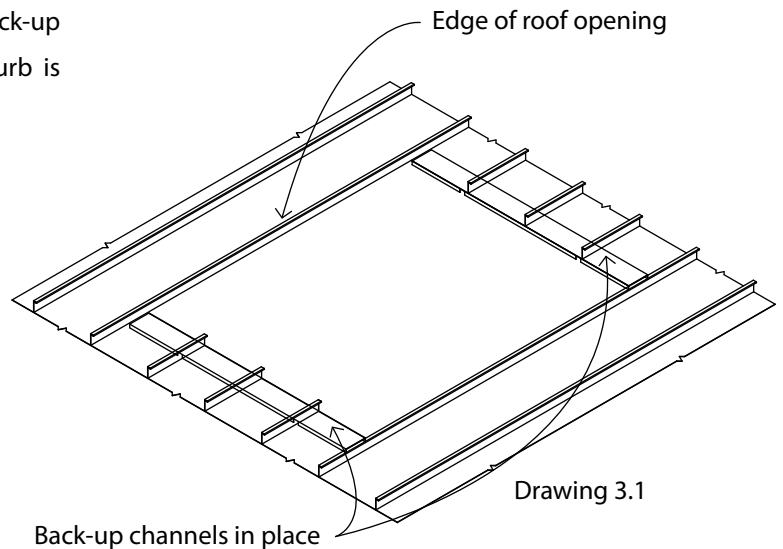
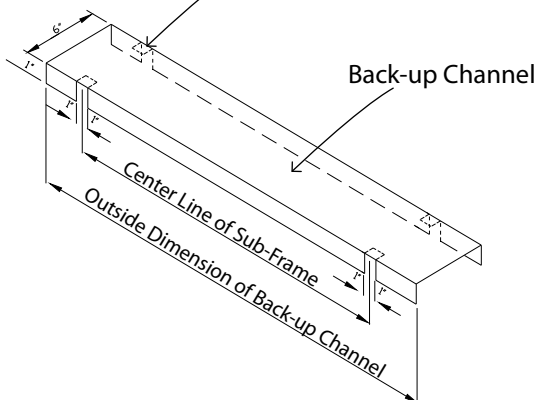
Drawing 2.2

\*Notice\* Sub-frames and purlins not shown in the above picture.

### ③ BACK-UP CHANNELS

Notch back-up channels (see drawing). Slide back-up channels under roof panel on top of sub-frames. Do not screw back-up channels to subframes. They will be secured when curb is fastened down.

Cut leg of channel and fold under to form notch for sub-frame (typically 4 places).



Drawing 3.1

Back-up channels in place

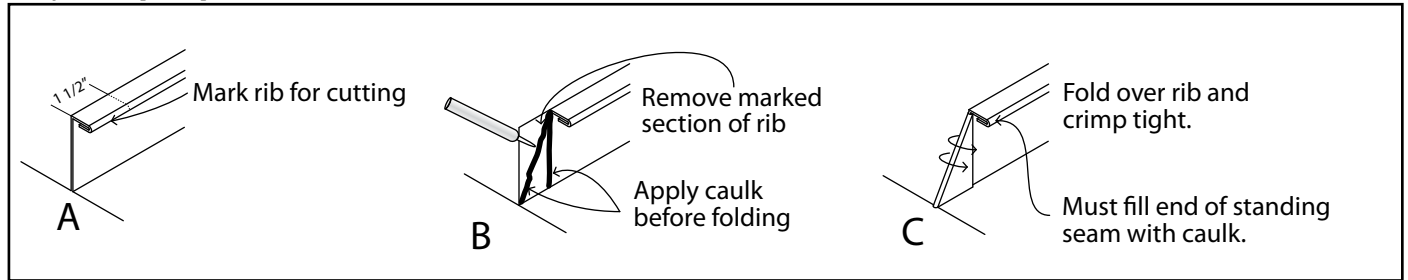
#### WARNING!

ALWAYS USE FALL PROTECTION WHILE WORKING AROUND ROOF OPENINGS.

### ④ APPLY SEALANTS & SET CURB IN PLACE

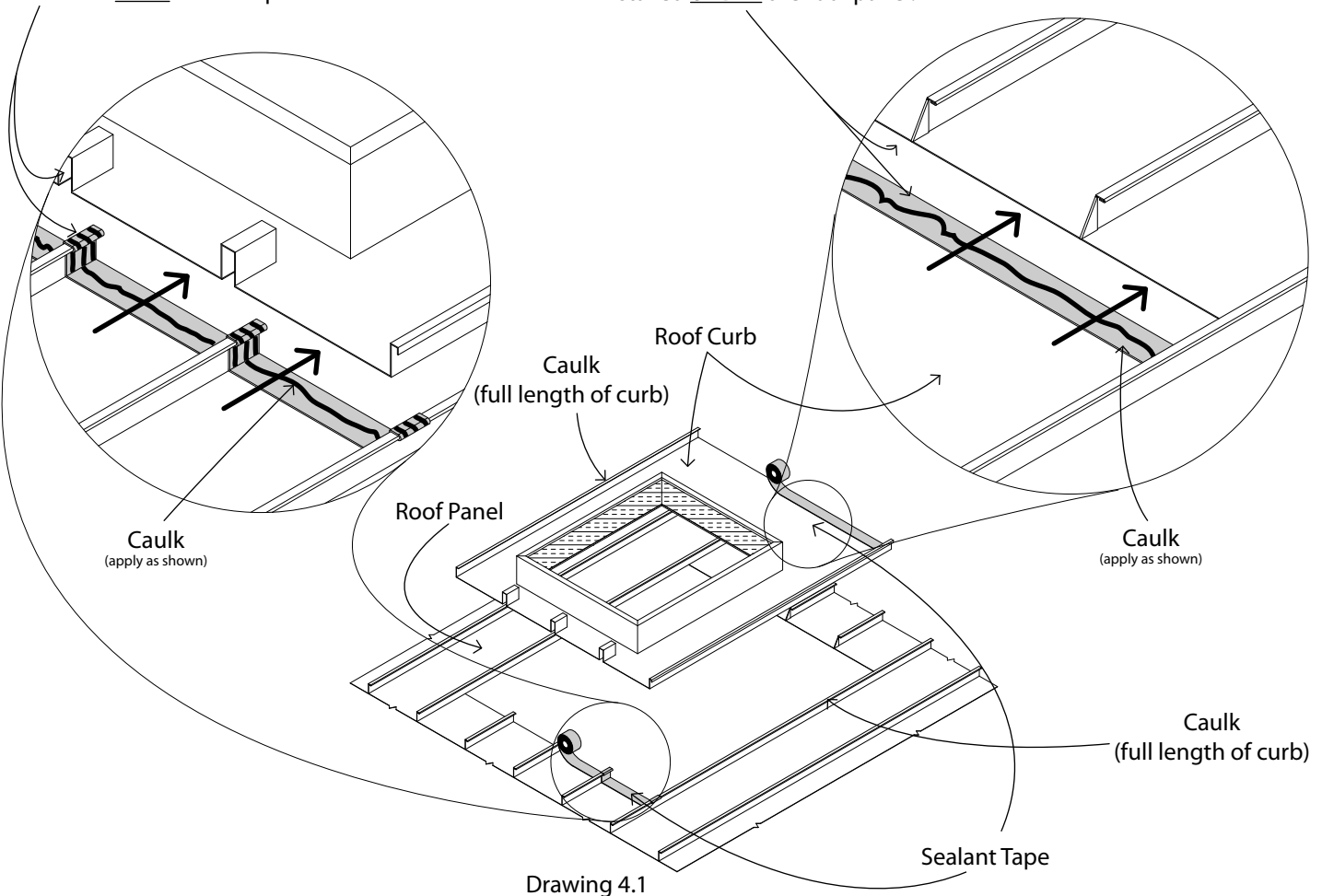
Apply a strip of sealant tape and generous bead of caulk on the upslope side of the roof curb and on downslope side of the roof panel, apply a generous bead of caulk where the panel overlaps the side of roof curb and where side of roof curb overlaps panel (full perimeter) before setting roof curb in place (see drawing 4.1). Position roof curb over roof opening and lower into place, shift curb to align with sub-frames and roof panel.

#### Prepare **Upslope** Panel Seams



The downslope of curb is to be installed OVER the roof panel.

The upslope of curb is to be installed UNDER the roof panel.



Drawing 4.1

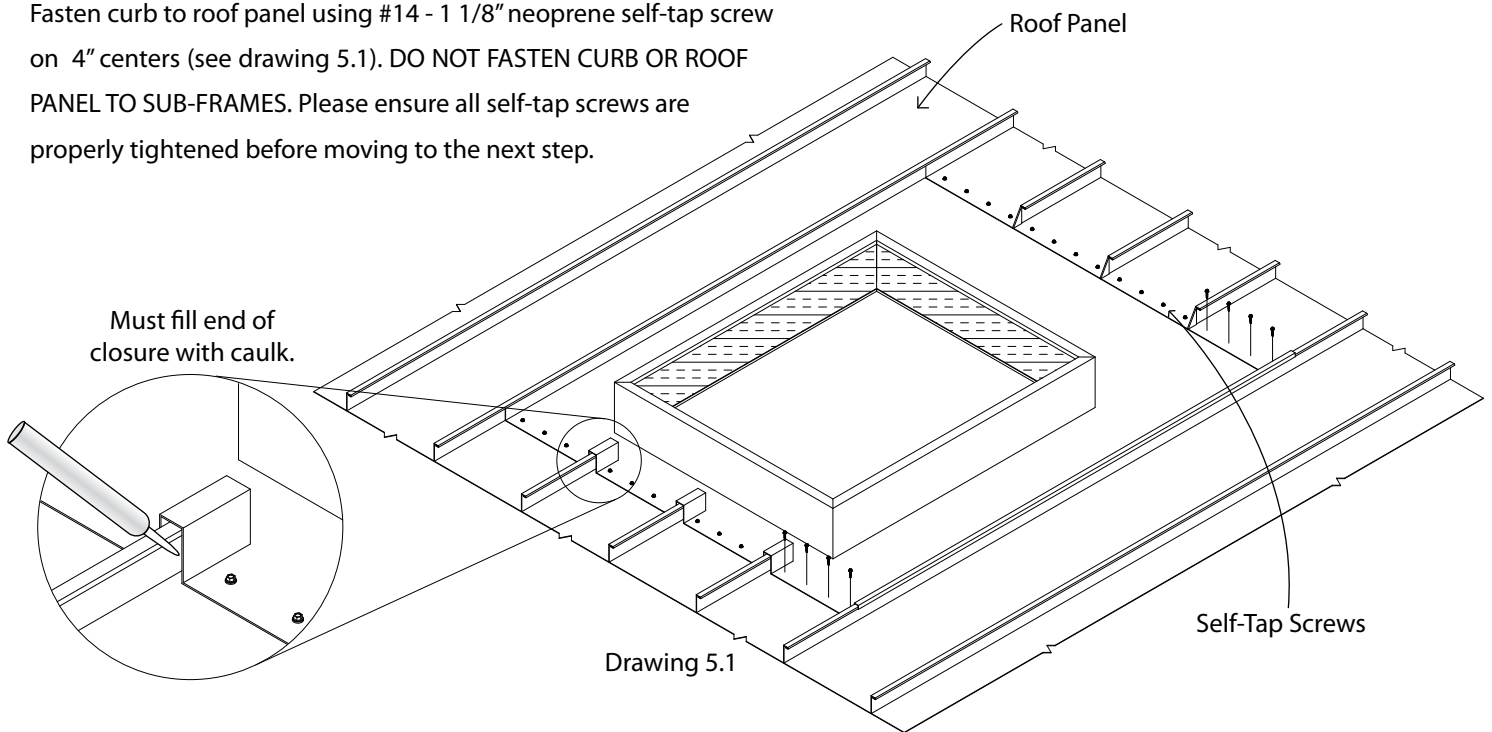
\*Notice\* Sub-frames and purlins not shown in the above picture.

#### **WARNING!**

ALWAYS USE FALL PROTECTION WHILE WORKING AROUND ROOF OPENINGS.

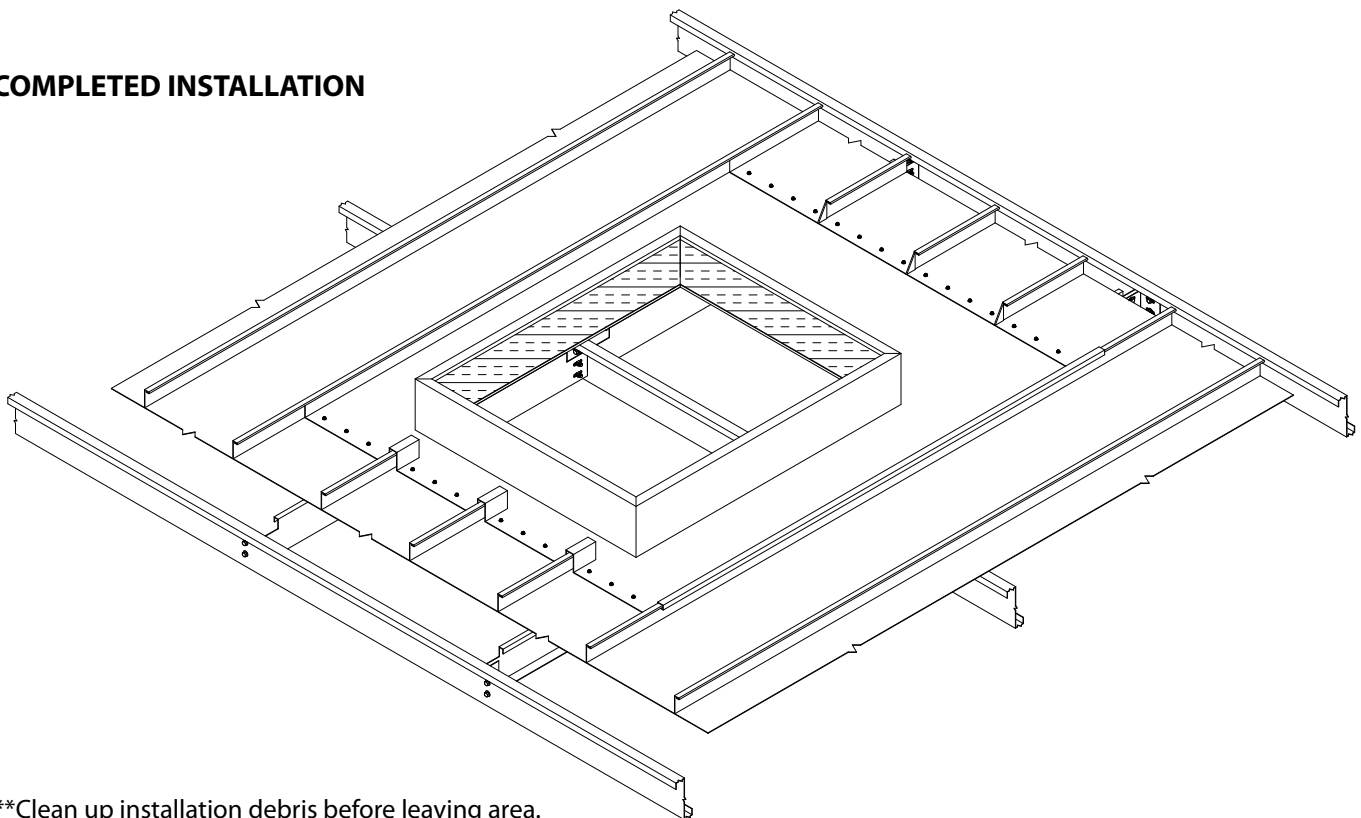
### ⑤ FASTEN CURB TO ROOF PANEL

Fasten curb to roof panel using #14 - 1 1/8" neoprene self-tap screw on 4" centers (see drawing 5.1). DO NOT FASTEN CURB OR ROOF PANEL TO SUB-FRAMES. Please ensure all self-tap screws are properly tightened before moving to the next step.



\*Notice\* Sub-frames and purlins not shown in the above picture.

### COMPLETED INSTALLATION



\*\*Clean up installation debris before leaving area.

#### WARNING!

ALWAYS USE FALL PROTECTION WHILE WORKING AROUND ROOF OPENINGS.