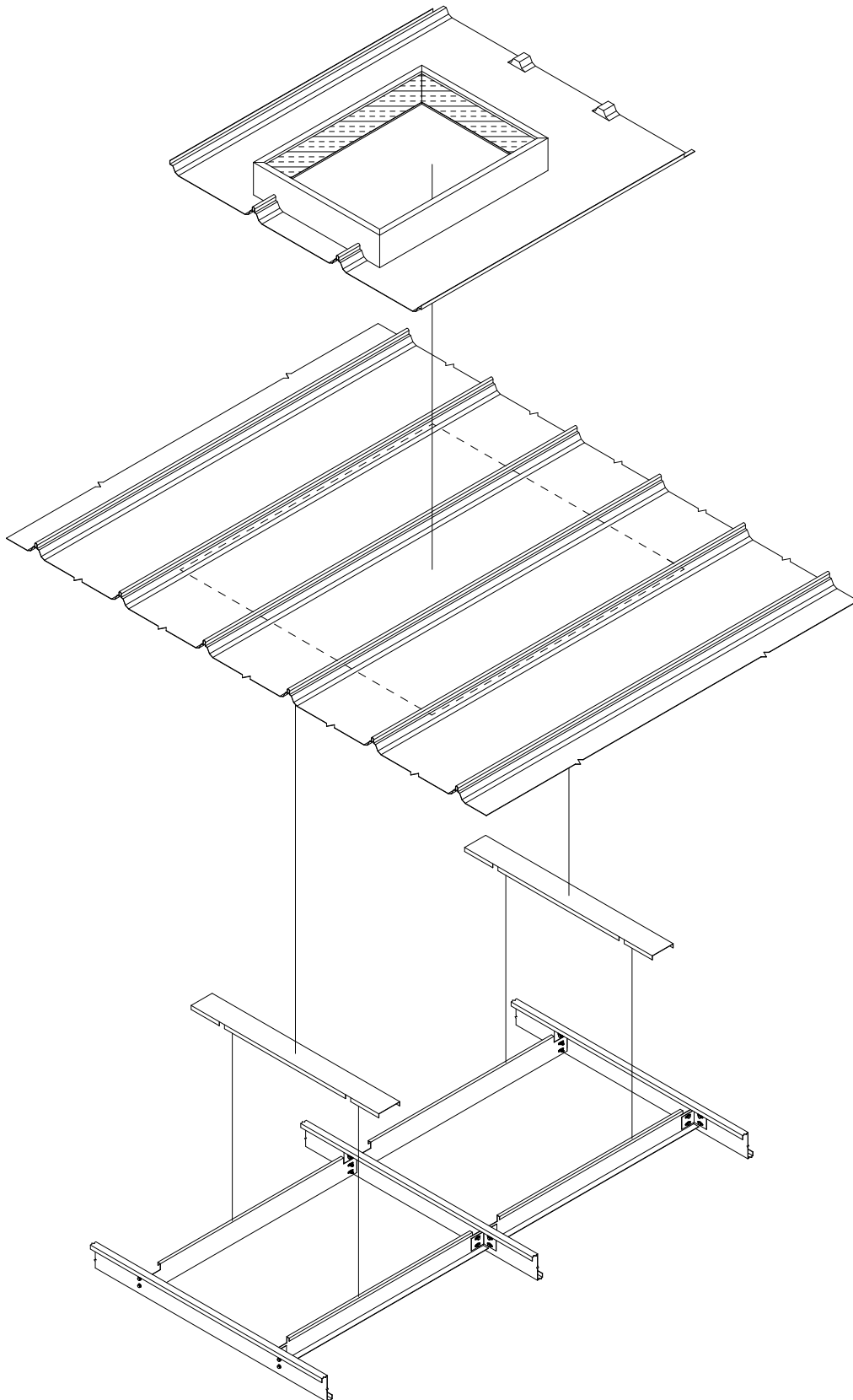







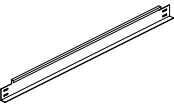
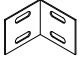
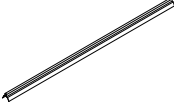


## ROOF CURB INSTALLATION INSTRUCTIONS: TRAPEZOIDAL STANDING SEAM PANEL



### Installation Check List:

- Attach Sub-Frames ..... Step 1
- Layout Curb on Roof Panel ..... Step 2
- Back-up Channels ..... Step 3
- Apply Sealants & Set Curb in Place ..... Step 4
- Fasten Curb to Roof Panel ..... Step 5
- Attach Cap Strips ..... Step 6

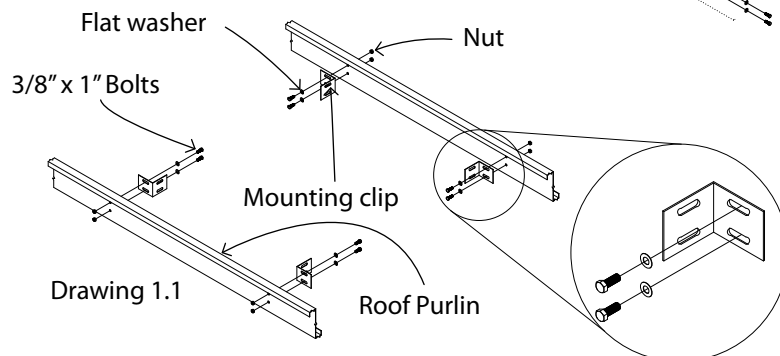
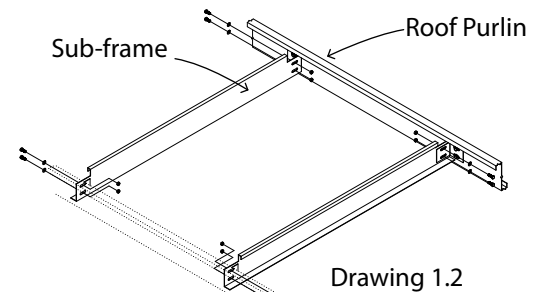
### PARTS LIST

	<u>Flat Washer</u>		<u>Polyurethane Sealant Caulk</u>
	<u>Nut</u>		<u>Triple Bead Sealant Tape</u>
	<u>Bolt</u>		<u>14 Gauge Galvanized Steel Subframe</u> 5-1/2" tall Length is equal to the purlin spacing minus 1-3/8"
	<u>Mounting Clip</u>		<u>Cap Strip</u>
	<u>#14 - 1 1/8" Neoprene Self-Tap Screw</u>		<u>Back-up Channels(field notch)</u>

## BEGIN INSTALLATION

### ① ATTACH SUB-FRAMES (framed opening is already installed)

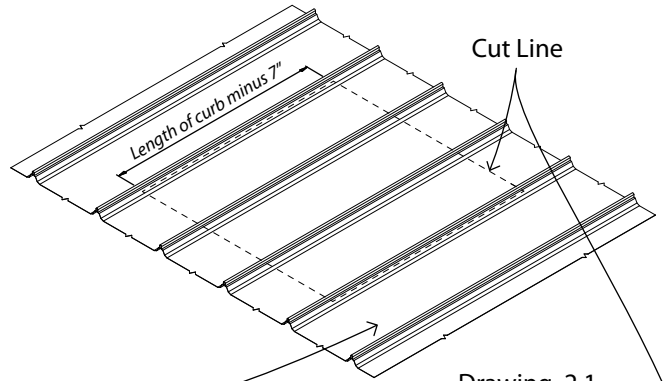
Attach mounting clips to sub-frame and align the top of the sub-frame under vertical box of roof curb and flush to the bottom side of roof sheets. Use the mounting clip as a template, mark on purlin where 7/16" holes are to be drilled. Once holes are drilled, attach mounting clips to purlins using flat washers, nuts, and bolts (see drawing 1.1). Finger tighten all hardware, then upset threads to secure nuts. Attach sub-frames to mounting clips using flat washers, nuts, and bolts (see drawing 1.2).



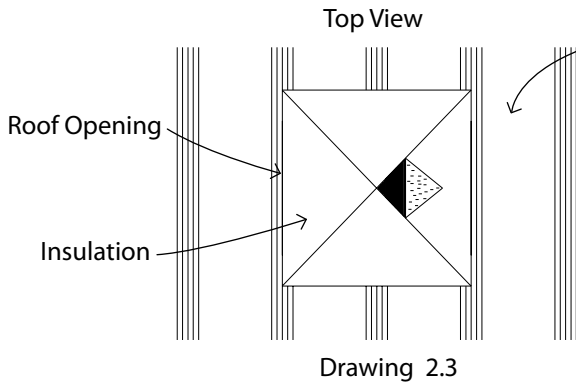
\*NOTICE\* Sub-frame max. loading 500 lbs.

### ② LAYOUT CURB ON ROOF PANEL

Mark cut lines by setting roof curb(s) in place on roof panel (see drawing 2.1) (DO NOT USE LEAD PENCIL). Upslope cut line will be 3" less than outer edge of curb base flange (see drawing 2.2). Downslope cut line will be 4" less than outer edge of base flange (see drawing 2.2). Remove exterior panel leaving the insulation face showing (see drawing 2.3) and cleanup all metal shavings and debris.

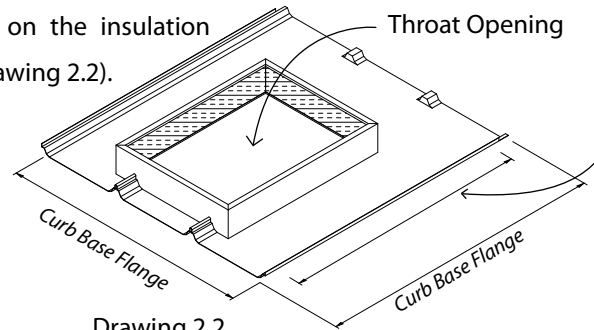


Roof Panel Drawing 2.1



Top View Drawing 2.3

Layout throat opening on the insulation and cut opening (see drawing 2.2).

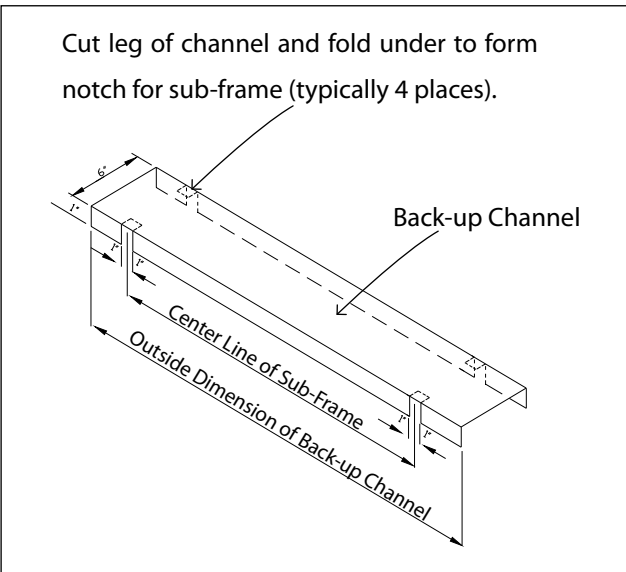


Drawing 2.2

\*Notice\* Sub-frames and purlins not shown in the above picture.

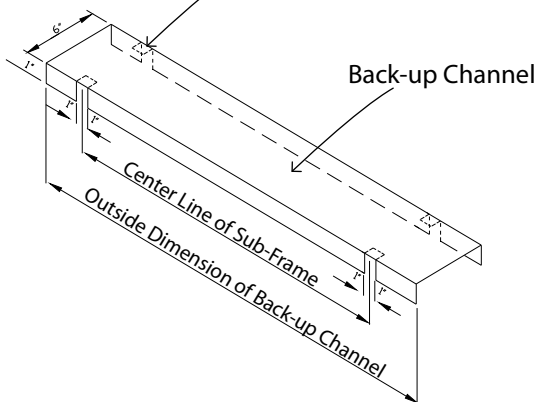
### ③ BACK-UP CHANNELS

Notch back-up channels (see drawing). Slide back-up channels under roof panel on top of sub-frames. Do not screw back-up channels to subframes. They will be secured when curb is fastened down.



Drawing 3.1

Cut leg of channel and fold under to form notch for sub-frame (typically 4 places).



#### WARNING!

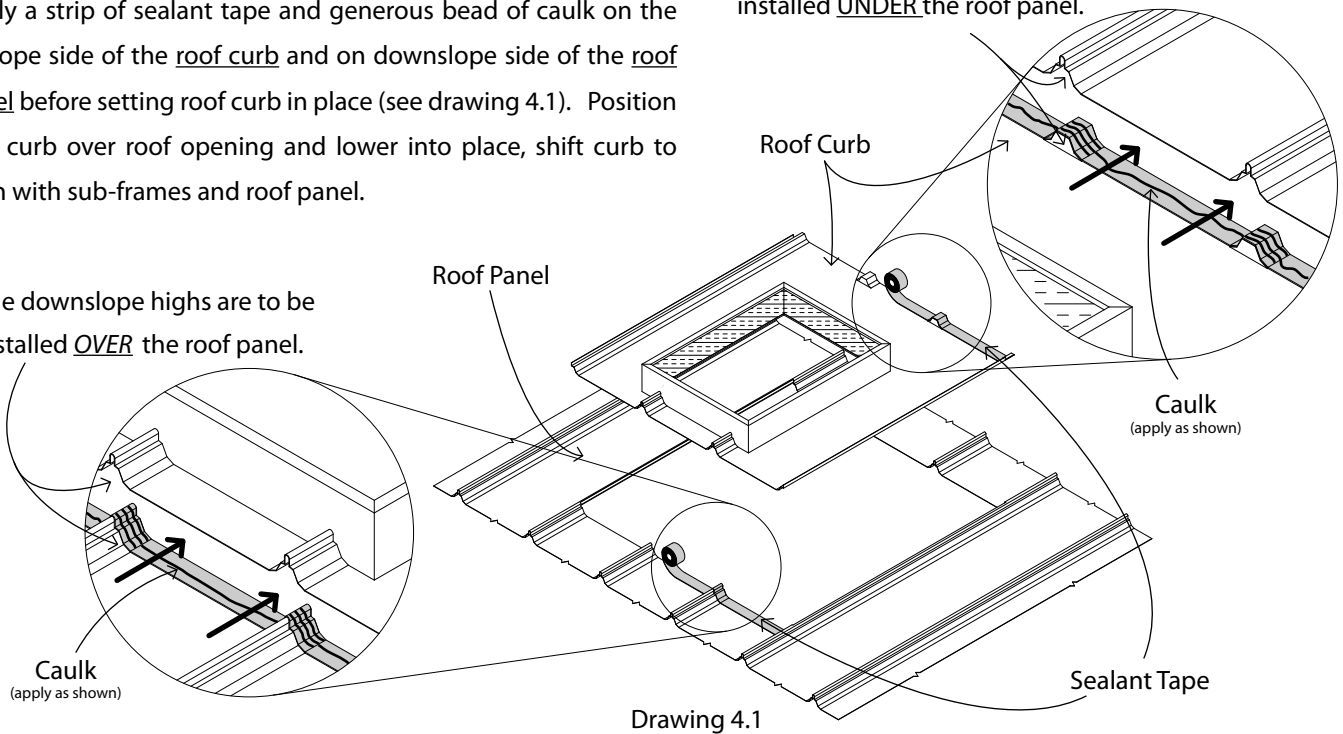
ALWAYS USE FALL PROTECTION WHILE WORKING AROUND ROOF OPENINGS.

### ④ APPLY SEALANTS & SET CURB IN PLACE

Apply a strip of sealant tape and generous bead of caulk on the upslope side of the roof curb and on downslope side of the roof panel before setting roof curb in place (see drawing 4.1). Position roof curb over roof opening and lower into place, shift curb to align with sub-frames and roof panel.

The upslope highs are to be installed UNDER the roof panel.

The downslope highs are to be installed OVER the roof panel.

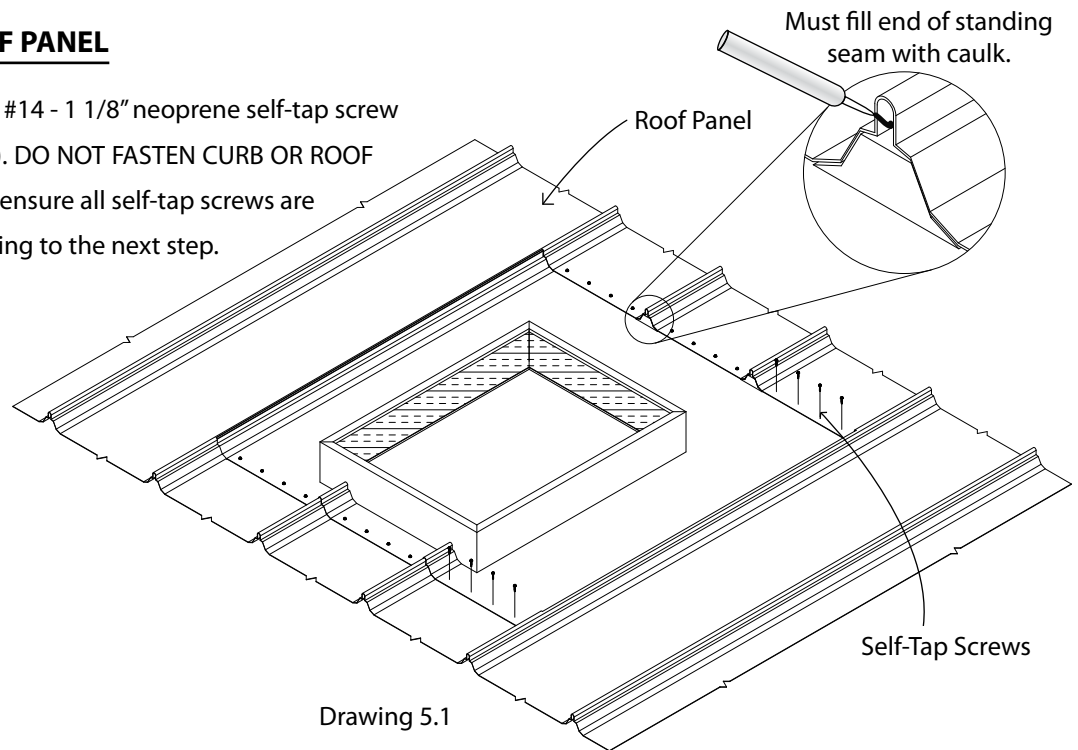


\*Notice\* Sub-frames and purlins not shown in the above picture.

### ⑤ FASTEN CURB TO ROOF PANEL

Fasten curb to roof panel using #14 - 1 1/8" neoprene self-tap screw on 4" centers (see drawing 5.1). **DO NOT FASTEN CURB OR ROOF PANEL TO SUB-FRAMES.** Please ensure all self-tap screws are properly tightened before moving to the next step.

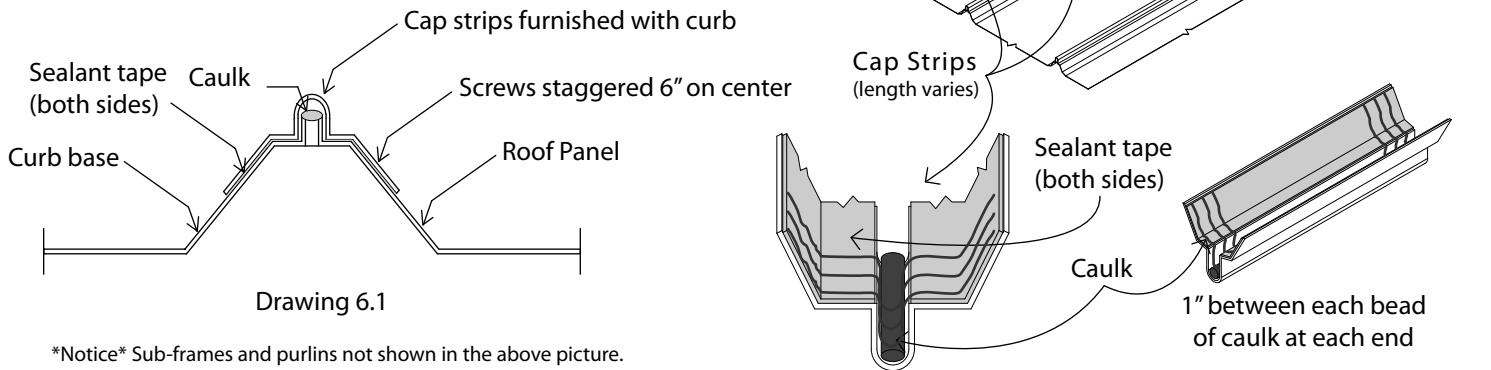
Must fill end of standing seam with caulk.



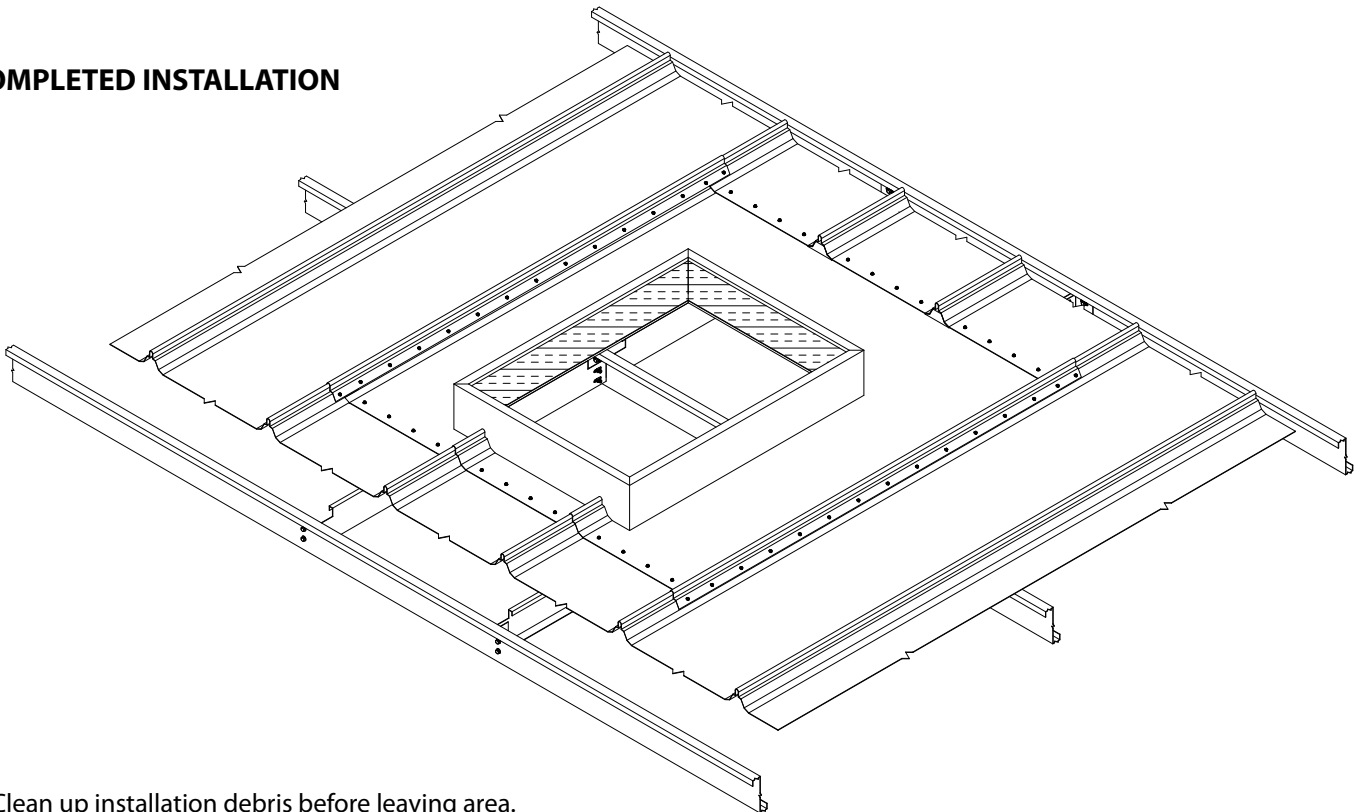
\*Notice\* Sub-frames and purlins not shown in the above picture.

### ⑥ ATTACH CAP STRIPS

Turn the cap strips upside down and apply sealant tape to the entire length of both inside legs. Then run a bead of caulk down the middle of the cap strips and at each end of cap strip (see drawing 6.1). Install cap strips over the curb/roof panel sidelap, fasten with screws alternating on 6" centers (staggered on both sides). The capstrip should extend approximately 6" past both upslope and downslope base of roof curb.



### COMPLETED INSTALLATION



\*\*Clean up installation debris before leaving area.

#### WARNING!

ALWAYS USE FALL PROTECTION WHILE WORKING AROUND ROOF OPENINGS.