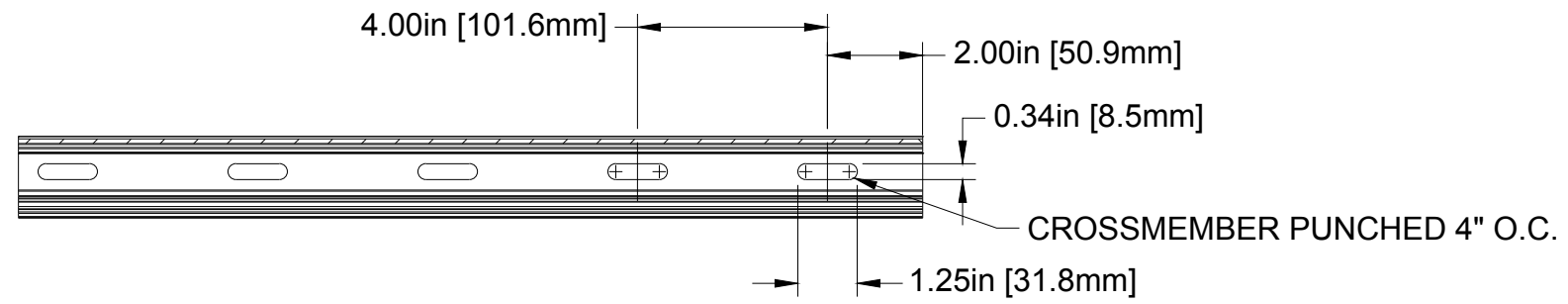
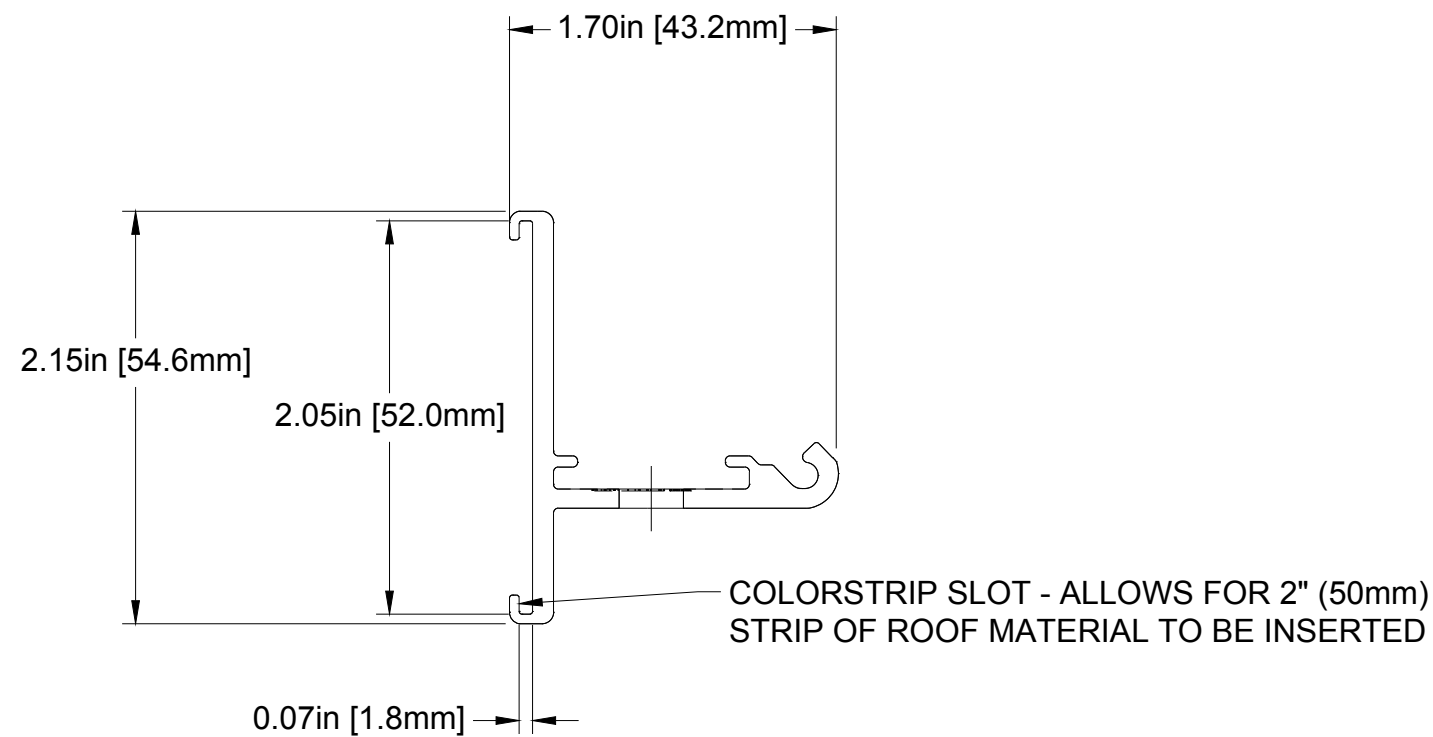
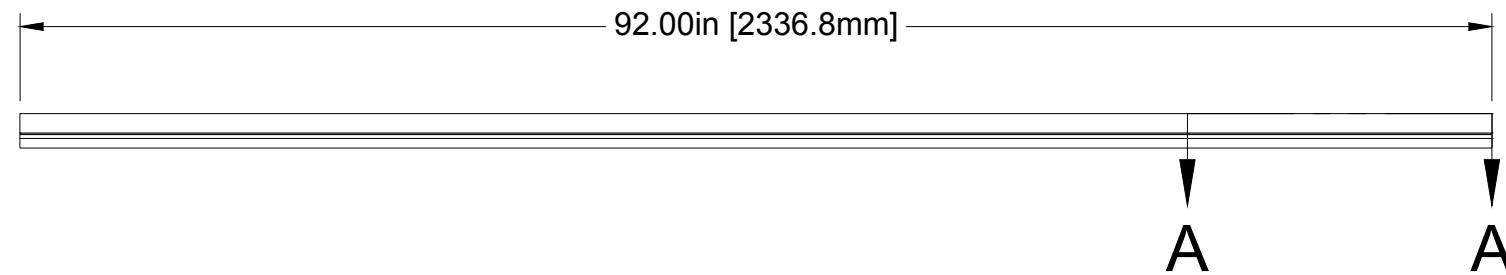



Punched ColorGard 2.0



SECTION A-A
SCALE 1:4



CROSSMEMBER SHIPS WITH SPLICE

MATERIAL: 6000 Series Al		METAL ROOF INNOVATIONS, LTD. 8750 WALKER RD COLORADO SPRINGS, CO 80908 719-495-0518 719-495-0045 (FAX)	
EST ASSEMBLY WT: 4.05 lb			
HARDWARE:	TITLE CG20-A-1-A (Punched ColorGard 2.0) [CCD]		
	DRAWING NO. CG20-A-1-A	DRAWN BY SB	DATE 4-15-2024
	SCALE 1:1	FILE NAME Punched ColorGard 2.0 [CCD]	
S-5!® PRODUCTS ARE PROTECTED BY MULTIPLE U.S. AND FOREIGN PATENTS. VISIT OUR WEBSITE AT WWW.S-5.COM FOR COMPLETE INFORMATION ON PATENTS AND TRADEMARKS			