

# S-5!<sup>®</sup>

## The Right Way

### ColorGard<sup>®</sup> 2.0



ColorGard<sup>®</sup> 2.0

The Right Way<sup>™</sup> to attach virtually anything to metal roofs!

#### NEW and IMPROVED Snow Retention Solution

Designed with safety, simplicity and reliability in mind, the **next-generation** ColorGard snow retention system is engineered to reduce the risk of rooftop avalanches while preserving the sleek aesthetics of your metal roof.

Rooftop avalanches pose a significant risk during winter months, as accumulated snow and ice often slide off the roof "en masse," endangering people and property below. Make your metal roof safe for the winter with the all-**NEW** ColorGard 2.0 system.

#### You Asked. We Delivered.

After listening to valuable customer feedback, our team has engineered an enhanced version of our flagship ColorGard snow retention system. This new design simplifies the assembly process and significantly reduces installation time.

**No longer are installers required to preassemble ColorGard before getting on the roof – it is now a true lay-and-play system for new construction and retrofit applications.** Have post-installation design changes? No problem with ColorGard 2.0, as retrofit modifications are quick and easy.

#### Features and Benefits

- **NO IN-FIELD CUTTING:** with the new internal splice, the VersaClip<sup>™</sup> can be installed directly over all splices, eliminating the need for in-field cutting; ColorGard 2.0 crossmembers now require field cutting only at the end of the assembly.
- **CUSTOMIZABLE AND VERSATILE:** site-specific engineering allows for optimal performance on exposed-fastened and standing seam metal roof profiles
- **UNPARALLELED PERFORMANCE:** designed to last the life of the roof with corrosion-resistant materials; load-tested on 500+ roof profiles, ensuring safety and reliability
- **AESTHETICALLY PLEASING:** visually enhance the look of the roof with perfect color- and finish-matching

800-284-1412 | [www.lmcurbs.com](http://www.lmcurbs.com) |



Speed up installation time while maintaining the snow retention system's effectiveness against rooftop avalanches.

## ColorGard<sup>®</sup> 2.0

### Splice

Included with crossmembers. Use the Splice to join two pieces of ColorGard together, ensuring continuous, unbroken protection. The dimple in the center is designed to provide a gap, allowing for expansion and contraction of the ColorGard sections.

### SnoClip<sup>™</sup> 2.0

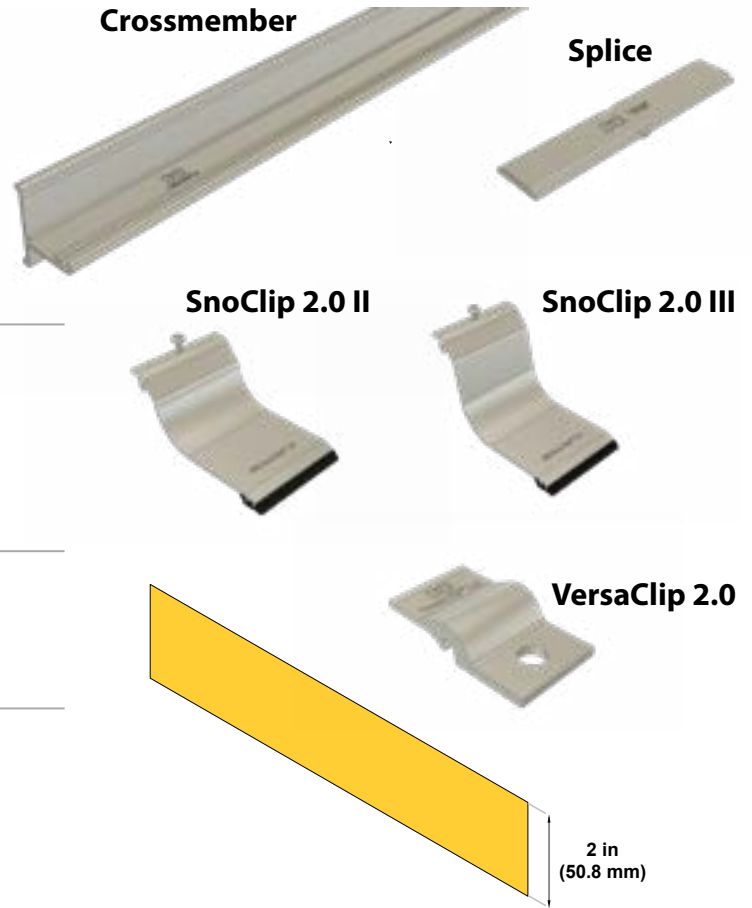
SnoClip can be added to retard the migration of snow and ice beneath the crossmembers. Simply insert it onto the ColorGard crossmember during or following installation and secure the fastener to engage the SnoClip foot onto the roof.

### VersaClip<sup>™</sup> 2.0

VersaClip goes in place as ColorGard crossmember is installed. It no longer has to be preassembled to the crossmember.

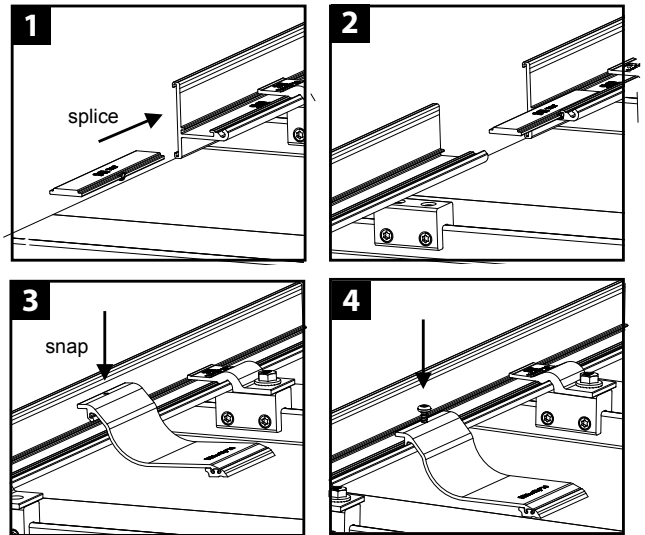
### ColorStrip<sup>™</sup>

Not included. The ColorStrip should be supplied in 2 in (50.8 mm) wide strips by the manufacturer of the roofing material in order to ensure a perfect color match for the life of the roof system.



## Simple Installation!

With this new and improved redesign, installation of the SnoClip and VersaClip components are refined and improved, resulting in a true "lay-and-play" assembly. A T30 Torx drive is used for all clamp set screws, attachment bolts and SnoClip fasteners on the snow retention system, further simplifying the installation process.



### S-5!<sup>®</sup> Warning! Please use this product responsibly!

Products are protected by multiple U.S. and foreign patents. Visit the website at [www.S-5.com](http://www.S-5.com) for complete information on patents and trademarks. For maximum holding strength, setscrews should be tensioned and re-tensioned as the seam material compresses. Clamp setscrew tension should be verified using a calibrated torque wrench between 160 and 180 inch pounds when used on 22ga steel, and between 130 and 150 inch pounds for all other metals and thinner gauges of steel. Consult the S-5! website at [www.S-5.com](http://www.S-5.com) for published data regarding holding strength.

Copyright 2026, Metal Roof Innovations, Ltd. S-5! products are patent protected. S-5! aggressively protects its patents, trademarks and copyrights. Version 010526.

Distributed by

**LMCURBS**<sup>®</sup>

827 Fisher Rd.  
Longview, TX 75604

903.759.3598 fax