

S-5!®

The Right Way!®

CorruBracket™ 500T

CorruBracket 500T is designed specifically for the Australian, Asian, European, South American and African markets and is compatible with 16–22 mm (H) x 76 mm rib-pitch corrugated roofing profiles. CorruBracket 500T is affixed to the crest of the corrugation, leaving the drainage plane free of holes to protect against leaks. For medium-duty applications, the bracket can be attached directly to the sheeting, accommodating ancillary attachment anywhere along the corrugation.

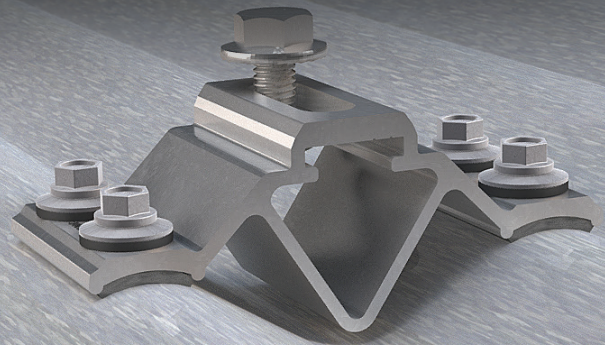
For heavy-duty applications, the bracket can be fixed into the underlying substrate for additional support without crushing the corrugation.

No messy sealants to apply

CorruBracket 500T comes with a factory-applied EPDM rubber gasket seal already on the base, and the reservoir conceals the EPDM from UV exposure, preventing UV degradation.

Installation is simple!

CorruBracket 500T is mounted directly into the crest of the corrugation, straddling the valley. No surface preparation is necessary; simply wipe away excess oil and debris, align, and apply. Secure directly into the crest of the corrugation by driving the appropriate screws into the six pre-punched holes, or pre-drilling the proper sized hole through the six pre-punched holes and riveting.



CorruBracket™ 500T is the right way to attach almost anything to 16–22 mm (H) x 76 mm rib-pitch corrugated roofing, including PV via rail or DirectAttached™ methods.

The right way to attach almost anything to metal roofs!

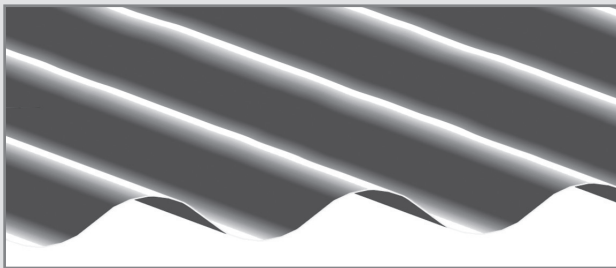
CorruBracket™ 500T

800-284-1412 | www.lmcurbs.com |

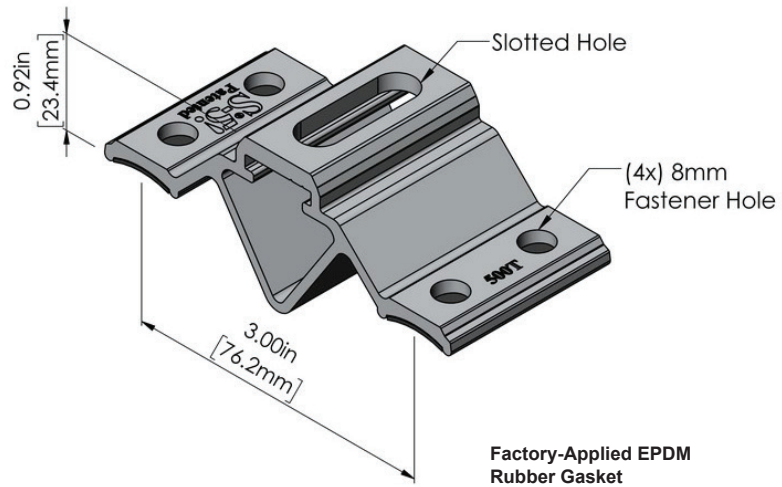
CorruBracket™ 500T can be used for almost any attachment need on 16–22 mm (H) x 76 mm rib-pitch corrugated roofing.

The CorruBracket™ 500T comes with factory-applied EPDM rubber gaskets on the base. A structural aluminum attachment bracket, CorruBracket 500T is compatible with most common metal roofing materials. For design assistance, ask your distributor, or visit www.S-5.com for the independent lab test data that can be used for load-critical designs and applications. Also, please visit our website for more information including CAD details, metallurgical compatibilities, and specifications. S-5![®] holding strength is unmatched in the industry.

Example Profile



CorruBracket™ 500T



S-5![®] Warning! Please use this product responsibly!

Products are protected by multiple U.S. and foreign patents. For published data regarding holding strength, bolt torque, patents, and trademarks, visit the S-5! website at www.S-5.com.

Copyright 2021, Metal Roof Innovations, Ltd. S-5! products are patent protected. S-5! aggressively protects its patents, trademarks, and copyrights. Version 083021.

Distributed by

LMCURBS[®] 

827 Fisher Rd.
Longview, TX 75604

903.759.3598 fax