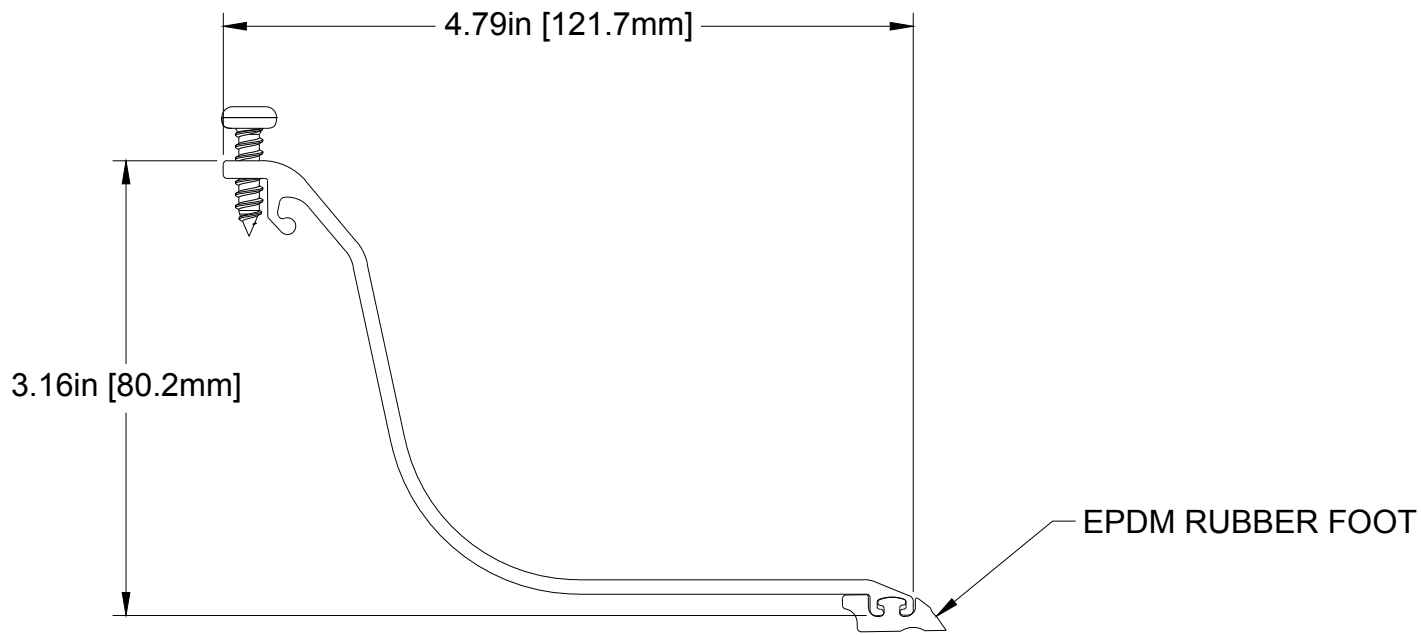
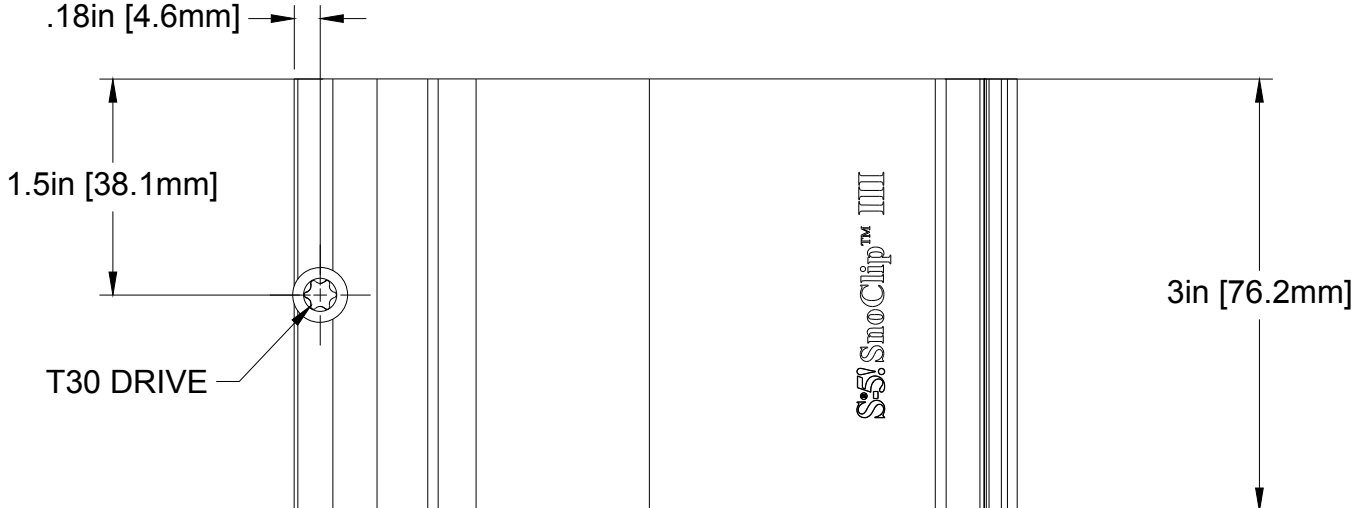


SnoClip 2.0 III



General Notes:

- 1. FITS 2 1/4" [57mm] to 3 1/4" [76mm] SEAM HEIGHT

MATERIAL: 6000 SERIES AL / 304SS		METAL ROOF INNOVATIONS, LTD. 12730 Black Forest Road COLORADO SPRINGS, CO 80908 719-495-0518 719-495-0045 (FAX)	
EST ASSEMBLY WT:			
HARDWARE:	TITLE SNOCLIP 2.0 III		
	DRAWING NO. SC32-A-0-A	DRAWN BY JM	DATE 8/26/25
	SCALE 1.5:2	FILE NAME SC32-A-0-A (SnoClip 2.0 III) [CCD]	
	S-5!® PRODUCTS ARE PROTECTED BY MULTIPLE U.S. AND FOREIGN PATENTS. VISIT OUR WEBSITE AT WWW.S-5.COM FOR COMPLETE INFORMATION ON PATENTS AND TRADEMARKS		