

GRIPPERFIX® Leveler

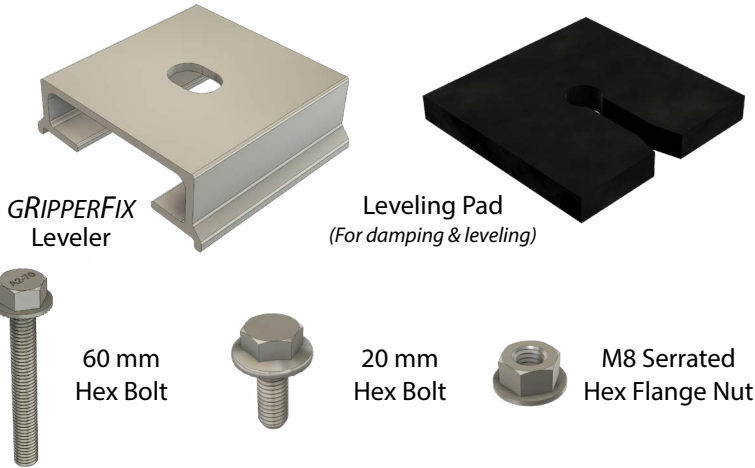
Providing *The Right Way!*® to attach virtually anything to metal roofs worldwide.

S-5![®] The Right Way

ATTENTION! This document is a guide only. This product may not be suitable for every application. The user is responsible for all necessary application engineering and design. Please scan the QR code to the right for additional information, warnings and disclaimers regarding product use. You can also view load test results at www.S-5.com where applicable, or contact your S-5![®] distributor for more information.



Please refer to the GRIPPERFIX Installation Instructions to install the GRIPPERFIX utility mounting system prior to installing the GRIPPERFIX Leveler. The GRIPPERFIX Leveler enables leveling rooftop utilities up to 7 degrees for units with a foot width of 11 $\frac{1}{8}$ " (300 mm). Important: Not all applications require all listed components. The Leveling Pad is primarily designed for leveling; however, it also offers vibration-dampening properties. Use of the Leveling Pad for vibration dampening is at the installer's discretion. S-5! recommends following the split system or HVAC unit manufacturer's installation instructions. For technical assistance, please reach out to support@s-5.com or call 888-825-3432.



Parts Required Included in Kit

GRIPPERFIX Leveler (4)	M8-1.25 x 60 mm Hex Flange Bolt (2)
Leveling Pads (4)	M8-1.25 x 20 mm Hex Flange Bolt (2)
M8 Nut (13 mm Drive) (4)	M8-1.25 x 20 mm Hex Flange Bolt (2)

NOTE: Individual components can be purchased separately at www.s-5.com/products/tools-hardware

Tools Required

13 mm Socket Wrench

How To Install GRIPPERFIX Leveler on GRIPPERFIX Strut

1

60 mm Bolt

2a

Leveling Pad(s)

2b

Leveling Pad(s)

OR

3

20 mm Bolts

4

Leveling Pad(s)

The use of Leveling Pads on the upslope strut is optional.

5

Split system/
HVAC unit
mounted with
(4) Levelers on
one side and (2)
Leveling Pads.

Repeat steps
1-2 on other
end of
downslope
strut

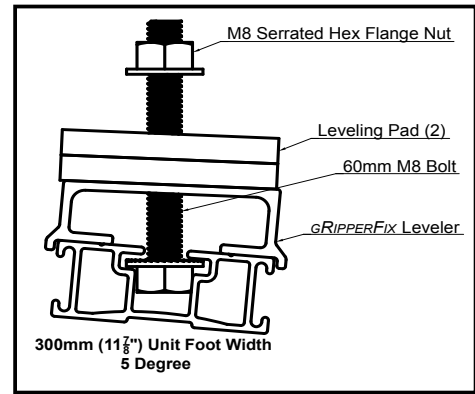
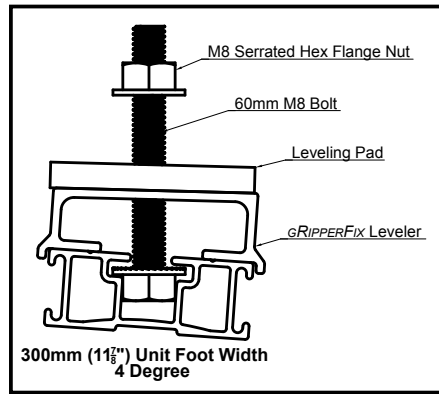
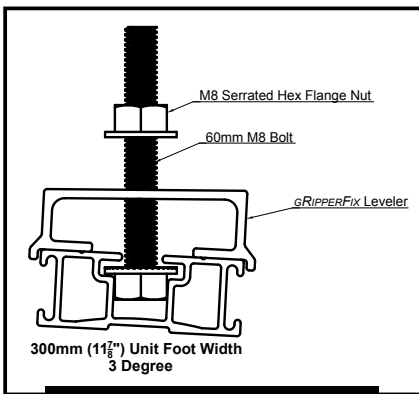
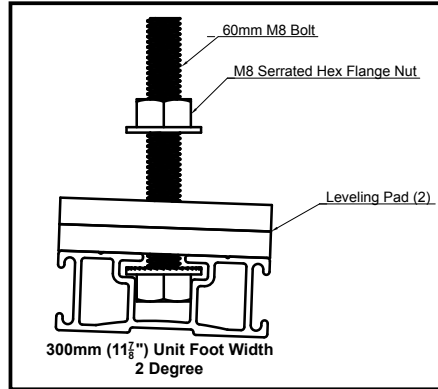
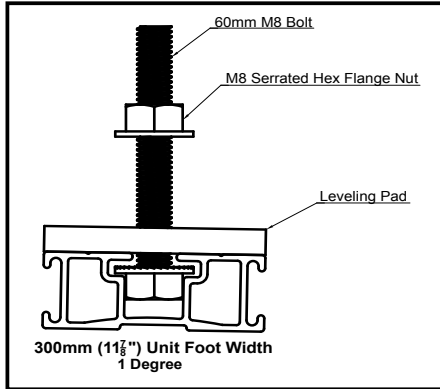
Note: Any S-5! warranty and/or calculation may be void if hardware is used that was not furnished by S-5! directly or through one of their licensed distributors or any assembly that has not been tested by S-5! These instructions are for use by those experienced in the trade. Always follow appropriate safety precautions and use appropriate tools.

S-5![®] Warning! Please use product responsibly!

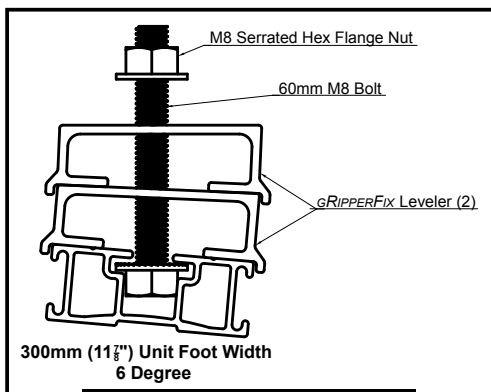
S-5![®] Warning! Please use this product responsibly! Products are protected by multiple U.S. and foreign patents. For published data regarding holding strength, fastener torque, patents and trademarks, visit the S-5! website at www.s-5.com. Copyright 2026, Metal Roof Innovations, Ltd. S-5! products are patent protected. S-5! aggressively protects its patents, trademarks and copyrights. 022526

HVAC Unit Leveling

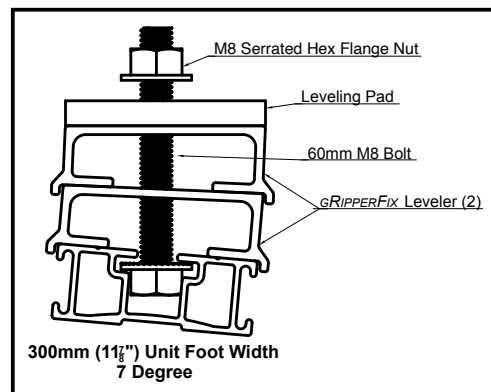
Adjustment Degree Options with the *GRIPPERFIX* Leveler



The use of a Leveling Pad is optional



The use of a Leveling Pad is optional



S-5![®]
The Right Way

Note: Any S-5! warranty and/or calculation may be void if hardware is used that was not furnished by S-5! directly or through one of their licensed distributors or any assembly that has not been tested by S-5! These instructions are for use by those experienced in the trade. Always follow appropriate safety precautions and use appropriate tools.

S-5![®] Warning! Please use product responsibly!

S-5![®] Warning! Please use this product responsibly! Products are protected by multiple U.S. and foreign patents. For published data regarding holding strength, fastener torque, patents and trademarks, visit the S-5! website at www.s-5.com. Copyright 2026, Metal Roof Innovations, Ltd. S-5! products are patent protected. S-5! aggressively protects its patents, trademarks and copyrights. 031126