

**The Right Way!**® to attach solar PV to trapezoidal roof profiles!

# S-5!<sup>®</sup>

## The Right Way

### Protea™ Bracket

A versatile bracket for mounting solar PV to trapezoidal roof profiles.

With an adjustable attachment base and various module attachment options to accommodate different roof profile dimensions and applications, the Protea Bracket is the most adaptable trapezoidal metal roof attachment solution on the market.

With no messy sealants, faster installation and a weather-proof fit, Protea Bracket offers you the most versatile solar attachment solution available.

---

**Protea Bracket\* can be used for rail mounting or rail-less with S-5! PVKIT®.**

---

\*When Protea Bracket is used in conjunction with the S-5! PVKIT, an additional nut is required during installation.



**Protea™ Bracket**

### Features and Benefits

---

- 34% lighter - saves on shipping
  - Stronger L-Foot™
  - Load-tested for engineered application
  - Corrosion-resistant materials
  - Adjustable - fits rib profiles up to 3"
  - Fully preassembled
- 



800-284-1412 | [www.lmcurbs.com](http://www.lmcurbs.com) |

Protea™ Bracket is the perfect solar attachment solution for most trapezoidal rib, exposed-fastened metal roof profiles!

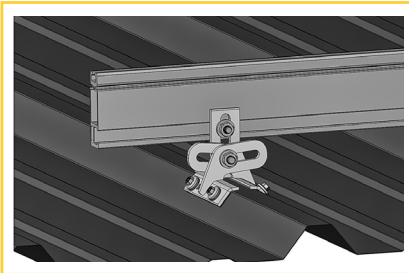
**Protea™ Bracket** is compatible with common metal roofing materials and comes with a preapplied EPDM gasket on the base.

**Note:** All four prepunched holes must be used to achieve tested strength. Fasteners are provided.

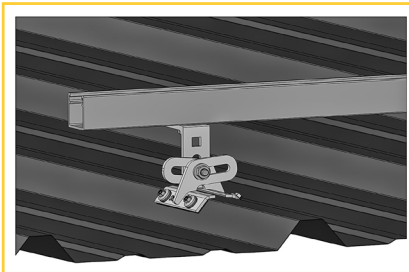
For design assistance, ask your distributor, or visit [www.S-5.com](http://www.S-5.com) for the independent lab test data that can be used for load-critical designs and applications. Also, please visit our website for more information including metallurgical compatibilities and specifications. metallurgical compatibilities and specifications.

**S-5!<sup>®</sup> holding strength is unmatched in the industry.**

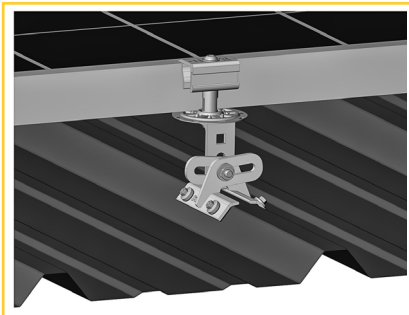
## Multiple Attachment Options:



*Side  
Mount Rail*

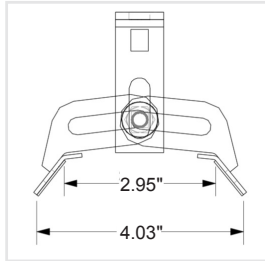
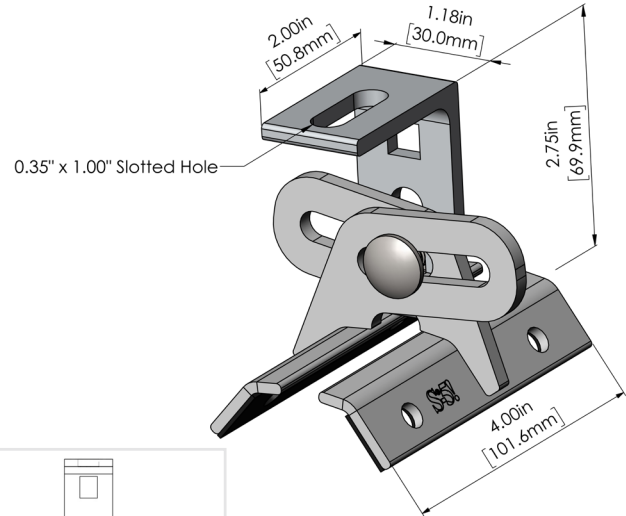


*Bottom  
Mount Rail*



*w/ S-5!  
PVKIT<sup>®</sup>  
(rail-less)*

## Protea™ Bracket



**Protea Bracket fits profiles  
up to 3 inches**

**INSTALLATION:**

**No surface preparation needed. (1)** Wipe away excess oil and debris. **(2)** Align and mount bracket directly onto crown of panel. **(3)** Secure Protea Bracket through prepunched holes, using piercing-point S-5! screws.



*Shown: S-5! PVKIT<sup>®</sup> mounted  
on the Protea Bracket for rail-less  
solar mounting on metal roofing.*

### S-5!<sup>®</sup> Warning! Please use this product responsibly!

Products are protected by multiple U.S. and foreign patents. For published data regarding holding strength, bolt torque, patents, and trademarks, visit the S-5! website at [www.S-5.com](http://www.S-5.com).

Copyright 2025, Metal Roof Innovations, Ltd. S-5! products are patent protected. S-5! aggressively protects its patents, trademarks, and copyrights. Version 111025

Distributed by

**LMCUBS**

827 Fisher Rd.  
Longview, TX 75604

903.759.3598 fax