

Fija sobre cualquier techo de membrana de una sola capa **The Right Way!**

S-5![®]

The Right Way

Facet[™] Mount

Crafted from high-pressure cast aluminum and tested to ASTM E2140, the most demanding water penetration test in the industry, Facet Mount redefines membrane roof mounting.

With 16 potential attachment points to meet highly engineered specifications, it offers flexible equipment mounting.

It boasts shear strengths up to 6,750 pounds and an uplift resistance of up to 12,750 pounds, with the lowest point loading in its class.

A stand-out product in the flat-roof mount market for attaching solar PV, snow guards and ancillaries, Facet Mount is compatible with virtually every roof material and solar racking available on the market, simplifying your process so you can begin working!

Simple. Versatile. Reliable.

It can be purchased with preformed flashings made from many popular PVC and TPO single-ply roof membranes, or can easily be sealed with fluid-applied sealants.

Its raised crown design helps prevent water infiltration, and its diagonal mounting screws offer superior holding strength.



Facet[™] Mount

FEATURES AND BENEFITS

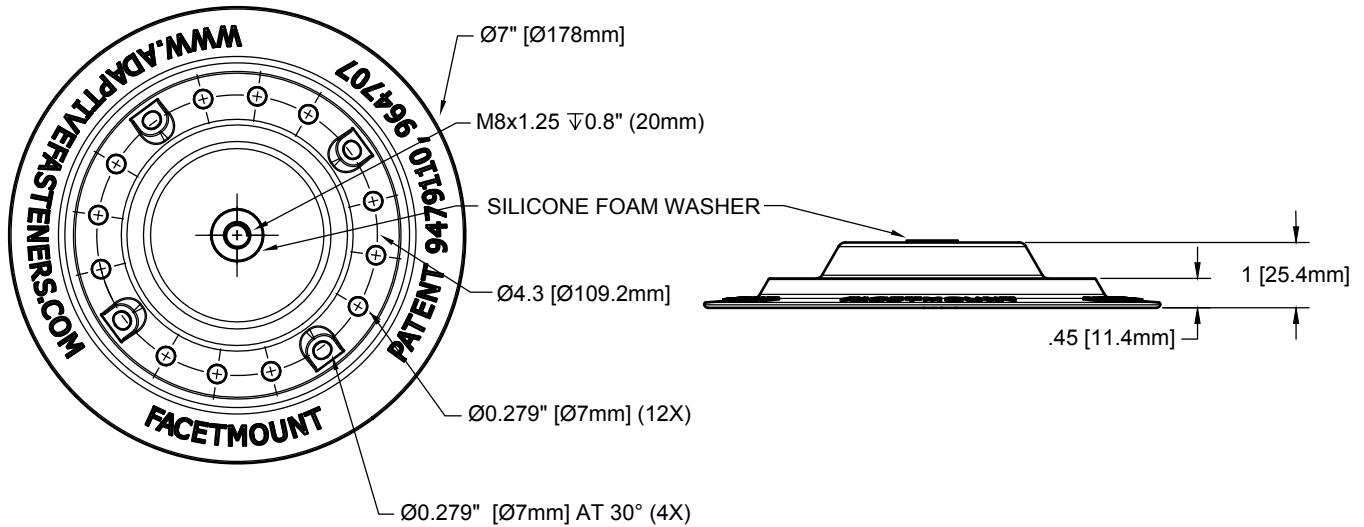
- **VERSATILE MOUNTING OPTIONS** Offers 16 attachment points for flexibility, and bolt attachment supports various equipment.
- **LOAD-DISTRIBUTING DESIGN** Reduces insulation board compression, increases roof system integrity and does not create the risk of ponding water.
- **STRONG LOAD CAPACITY** Shear strength up to 6,750 lbs. and uplift resistance up to 12,750 lbs.
- **COMPLIANCE ASSURANCE** Tested to ASTM E2140, the industry's toughest watertightness standard, and approved by the Los Angeles Department of Building Safety.

Test results available on www.s-5.com and the LA Research Report Database ladbs.org
U.S. Patent #9479110, #9647607

800.284.1412 | www.lmcurbs.com

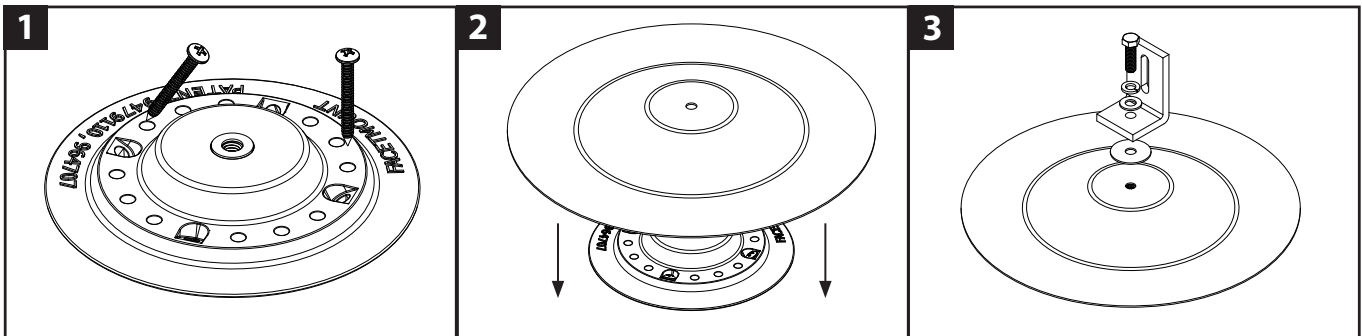


Facet Mount is the most reliable attachment in the market.



Facet Mount™ Membrane Installation

- 1** Place the Facet Mount in its desired location and install the required roofing screws (sold separately) as determined by a structural engineer's instructions.
- 2** Remove the release paper from the seal at the mounting hole in the Facet Mount, then place the membrane face cover over the Facet Mount and align the top holes.
- 3** Attach accessories to the top of the Facet Mount and tighten according to the manufacturer's instructions.
- 4** Heat-weld the face cover directly to the rooftop single-ply membrane, according to your roofing material manufacturer's specifications.



Note: Any S-5! warranty and/or calculation may be void if a third-party structural engineer has not specified the hardware used. Failure to follow a structural engineer's guidance may result in a substandard installation. These instructions are intended for experienced users. Follow safety precautions and use appropriate tools.

S-5!® Warning! Please use this product responsibly!

Distributed by

Products are protected by multiple U.S. and foreign patents. Visit the website at www.S-5.com for complete information on patents and trademarks.

Copyright 2026, Metal Roof Innovations, Ltd. S-5! products are patent protected. S-5! aggressively protects its patents, trademarks and copyrights. Version 033126.