

KStrong® IMPACT™ Variable Bend (15° Max) Intermediate Bracket for Use with all Low-Profile Base Plates (Standing Seam, Metal Panel / R-Panel, Built-Up TPO, and Concrete Roof Decks) and Overhead / Ceiling Anchors

Model: UFA55005(SUB1)

DESIGN

- The Intermediate is provided to hold the wire rope diameter 0.31" (8mm) in position all along the length of the wire.
- It divides a long Horizontal Line into multiple Spans and this reduces the sag on the line.
- Compatible with M12 fasteners which can be fitted on different types of roof.
- Compatible with 0.31" (8mm) wire rope lifeline.

RECOMMENDED DISTANCE BETWEEN TWO INTERMEDIATE BRACKETS

- For Overhead Application: 590.6" (15m) maximum.
- For Roofs (PEB): 472.4" (12m) maximum.
- For Standing Seam Roof: 472.4" (12m) maximum.

MATERIAL

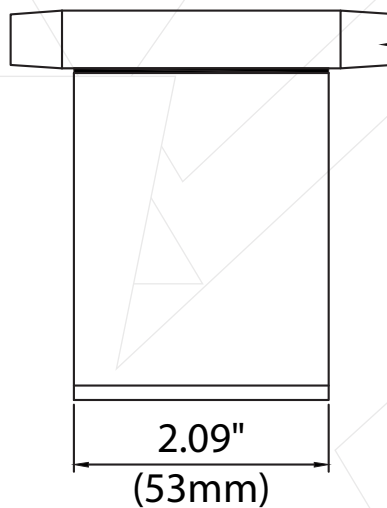
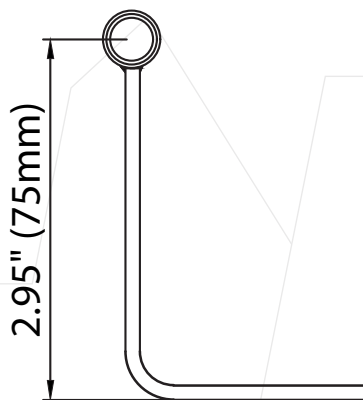
Stainless Steel

FINISH

Electropolished / E Coated

WEIGHT

0.28 lbs. ± 0.02 lbs. (128gm ± 10gm)



Intermediate Tube

Batch #: _____ Serial #: _____

Date of First Use: _____