

# S-5!<sup>®</sup>

## The Right Way

### S-5-CP<sup>™</sup>

SOLAR ATTACHMENT  
SOLUTION FOR PV PANELS  
ON CARPORTS.

#### CHANGE THE WAY YOU THINK ABOUT SOLAR CARPORTS.

Transform your carport into a solar powerhouse with the S-5-CP clamp, where "CP" stands for carport. Designed for purlin-constructed canopies, the S-5-CP pairs seamlessly with our innovative PVKIT<sup>®</sup> solar mounting solution for a rail-less solar panel installation. An optional water-resistant gasket reduces water infiltration between solar panels.

#### EXPERIENCE THE SIMPLICITY AND EFFECTIVENESS OF A RAIL-LESS DESIGN.

Use the S-5-CP carport clamp and S-5! PVKIT to minimize the need for extra materials and labor while reducing the weight added to your structure. Lower your upfront costs and enjoy a faster return on investment with a DirectAttach<sup>™</sup> solution for your solar carport.

## Why choose S-5-CP FOR YOUR SOLAR CARPORT?

#### VERSATILE MOUNTING

The all-in-one DirectAttach solution simplifies installation and reduces costs by eliminating the need for adding rails to these open-framed structures in order to mount modules. If the carport structure has a metal roof, of course we can help there as well — just ask us how!

#### QUICK AND EASY INSTALLATION

The S-5-CP installs from below the purlins using a bottom-oriented setscrew, which shortens installation time and makes wire management easier. Its non-penetrating design avoids perforations or holes drilled into the structural members, allowing you to make on-the-fly adjustments.

#### ENGINEERED AND TESTED

S-5! solutions use non-corrosive materials built to withstand the elements, which means your solar investment stays secure and reliable over the lifespan of the solar array.

#### WATER-RESISTANT

An optional EPDM gasket minimizes infiltration between modules, helping you prevent water damage to your property.

*The Right Way!*<sup>®</sup> to attach almost anything to metal roofs!

800-284-1412 | [www.lmcurbs.com](http://www.lmcurbs.com) |

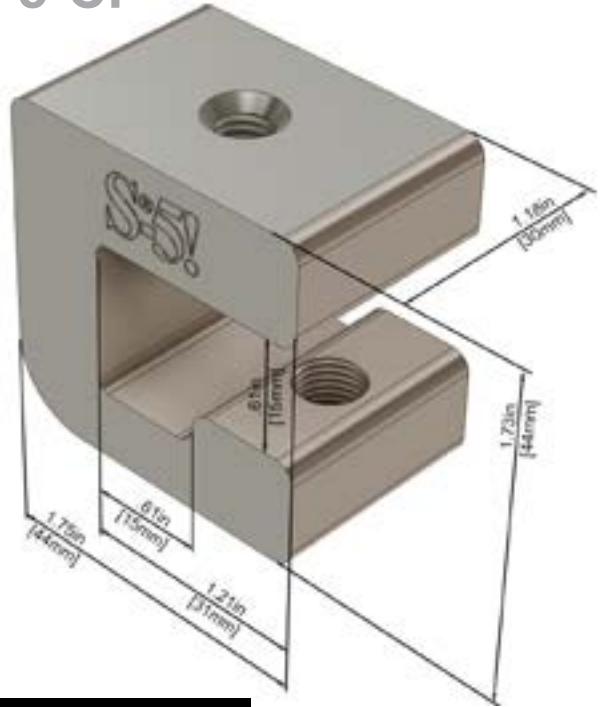




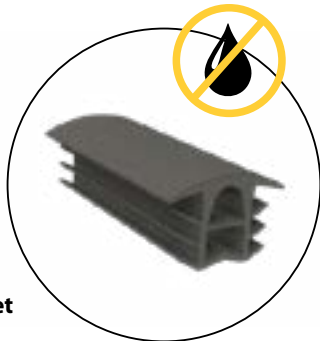
With the **S-5-CP** and **PVKIT** rail-less solar mount, your renewable energy vision becomes a solar carport reality.

The **S-5-CP** is supplied with the hardware shown to the right. Each box also includes a bit tip for tightening setscrews using an electric screw gun. The **S-5-CP** is an aluminum attachment clamp, compatible with most common metal structural shapes. All included hardware is 300 series stainless steel. Please visit [www.S-5.com](http://www.S-5.com) for more information including CAD details, metallurgical compatibilities and specifications.

### S-5-CP™

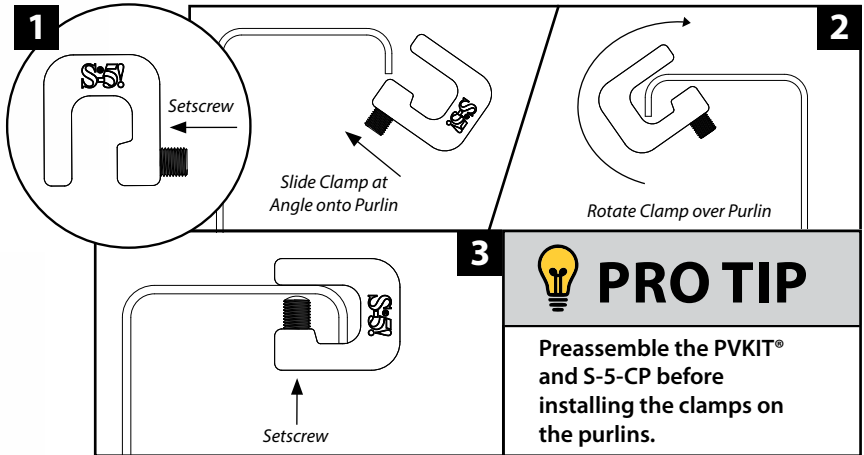


The **S-5-CP** paired with **PVKIT**®



EPDM Gasket

### Easy Installation!



### PRO TIP

Preassemble the **PVKIT**® and **S-5-CP** before installing the clamps on the purlins.

### Torque Chart

Specified Torque	Inch Pounds	Foot Pounds	Nm
<b>16 ga steel</b>	160-180	13-15	18-20

*Checking and/or retensioning setscrews post-installation is NOT required.*

### S-5!® Warning! Please use this product responsibly!

Products are protected by multiple U.S. and foreign patents. Visit the website at [www.S-5.com](http://www.S-5.com) for complete information on patents and trademarks. For maximum holding strength, setscrews should be tensioned and re-tensioned as the seam material compresses. Clamp setscrew tension should be verified using a calibrated torque wrench between 160 and 180 inch pounds when used on 22 ga steel, and between 130 and 150 inch-pounds for all other metals and thinner gauges of steel. Consult the S-5! website at [www.S-5.com](http://www.S-5.com) for published data regarding holding strength.

Copyright 2026, Metal Roof Innovations, Ltd. S-5! products are patent protected. S-5! aggressively protects its patents, trademarks and copyrights. Version 020626.

Distributed by



827 Fisher Rd.  
Longview, TX 75604

903.759.3598 fax