

S-5![®]

The Right Way

S-5-TH[™]

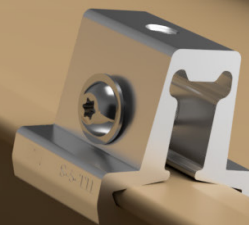
DURABLE SOLAR ATTACHMENT FOR T-SHAPED ROOFS

The S-5-TH, where “H” stands for Hinge, is a non-penetrating clamp that is designed specifically for solar PV and lighter-duty attachments on commercial T-shaped metal roofs, including the McElroy Metal Trap Tee and Morin[®] SymmeTry[®], ensuring a reliable connection that maintains the integrity of your roofing system.

The clamp features a straightforward single-piece design that clips over the roof's rib and allows for thermal cycling of the roof panels. The zero-penetration clamp design eliminates the risk of leaks and leaves the roof manufacturer's warranty intact.

The S-5-TH easily pairs with the PVKIT[®] for rail-less solar mounting and uses the same T30 drive, making installation easier. An M8 hole on top allows for the option of rail-based solar panel attachment if desired.

As with all S-5! clamps and brackets, the S-5-TH has undergone rigorous testing to meet the industry's most stringent standards, ensuring a secure attachment that is warranted for the life of the roof. Enjoy shorter installation times, lower material costs and proven lab-tested dependability on your next metal roofing project.



S-5-TH[™]

Features & Benefits

- **Non-Penetrating Clamp:** Protects your roof's integrity while allowing for thermal movement, ensuring that your solar panel attachments accommodate the natural expansion and contraction of the roof, preventing any potential damage.
- **Living Hinge[™] Design:** With fewer components and no inserts to hold in place, you save time and cut costs during installation.
- **Single-Piece Construction:** The straightforward single-piece design snaps easily over the roof's rib, secured with a stainless steel fastener that prevents corrosion and accommodates thermal cycling.
- **Durable Materials:** Crafted from 6000 series aluminum, the S-5-TH offers excellent durability and resistance to corrosion, making it ideal for lighter-duty applications like solar, conduit and pipe clamps.
- **Versatile Attachment Options:** Compatible with both rail-less and rail-based solar mounting systems, providing flexibility in your installation method.

The Right Way[™] to attach almost anything to metal roofs!

800-284-1412 | www.lmcurbs.com |



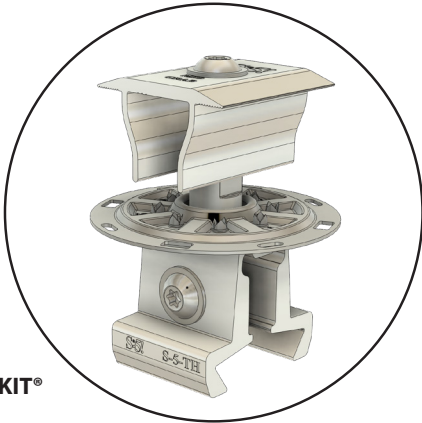
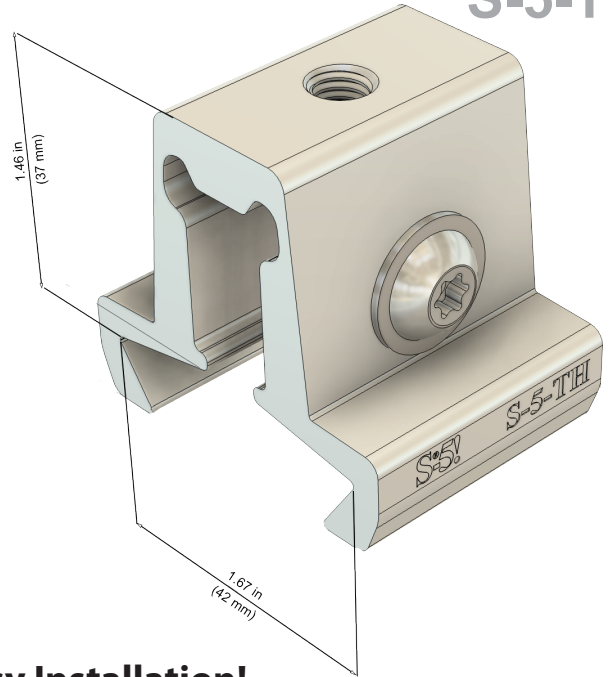


Trust the durability of the **S-5-TH** for reliable, long-lasting solar PV attachment on McElroy Metal Trap Tee, Morin[®] SymmeTry[®] and similar T-shaped roofs.

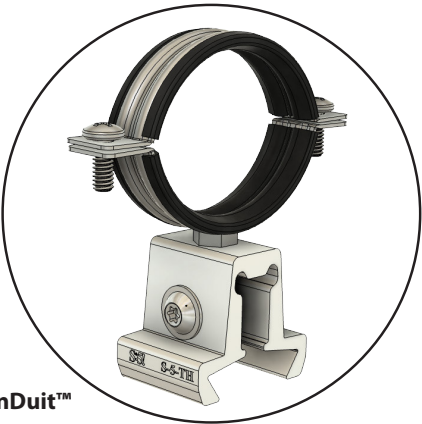
The **S-5-TH** is supplied with the hardware shown to the right. Each box also includes a bit tip for tightening setscrews using an electric screw gun. The **S-5-TH** is an aluminum attachment clamp, compatible with most common metal roofing materials (excluding copper). All included hardware is 300 series stainless steel. Please visit www.S-5.com for more information including CAD details, metallurgical compatibilities and specifications.

S-5![®] holding strength is unmatched in the industry.

S-5-TH[™]



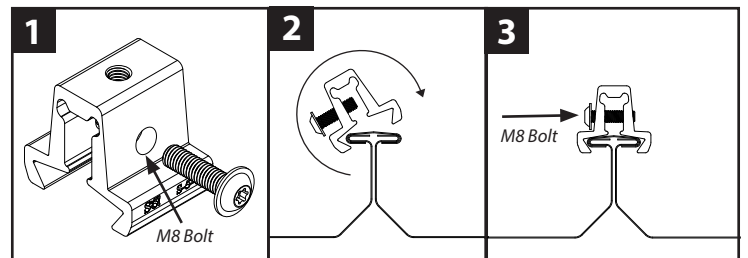
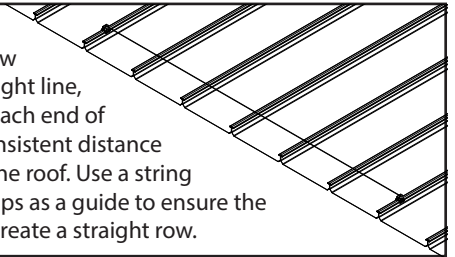
The S-5-TH paired with PVKIT[®]



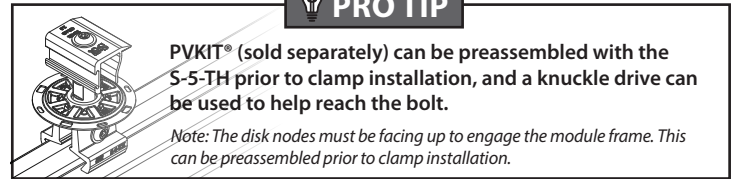
The S-5-TH paired with CanDuit[™]

Easy Installation!

IMPORTANT: Determine the location of your first row of clamps. To ensure a straight line, install a single S-5-TH on each end of the roof at a measured, consistent distance from the eave or ridge of the roof. Use a string line between the two clamps as a guide to ensure the remaining S-5-TH clamps create a straight row.



PRO TIP



S-5![®] Warning! Please use this product responsibly!

Products are protected by multiple U.S. and foreign patents. Visit the website at www.S-5.com for complete information on patents and trademarks. For maximum holding strength, setscrews should be tensioned and re-tensioned as the seam material compresses. Clamp setscrew tension should be verified using a calibrated torque wrench between 160 and 180 inch pounds when used on 22 ga steel, and between 130 and 150 inch-pounds for all other metals and thinner gauges of steel. Consult the S-5! website at www.S-5.com for published data regarding holding strength.

Copyright 2025, Metal Roof Innovations, Ltd. S-5! products are patent protected. S-5! aggressively protects its patents, trademarks and copyrights. Version 101625.

Distributed by



827 Fisher Rd.
Longview, TX 75604

903.759.3598 fax