

# S-5!®

## The Right Way!®

### PVKONCEAL™

**Give your rail-less metal rooftop solar PV system visual appeal.**

You've made the investment in a metal roof and selected PVKIT® as your rail-less solar module mounting solution. Now you want your solar panel attachment to complement the beauty of your roof. PVKONCEAL is a module skirt that conceals the upper or lower edge of the solar array and mechanical and electrical components underneath to give you an attractive, finished look.

#### Clean Aesthetic

Prefinished black with high-quality PVDF (polyvinylidene fluoride – the same substance used to coat metal roofs), use PVKONCEAL to match black module frames. The module skirt is made of corrosion-resistant aluminum to last the life of your solar panels and your metal roof. The versatile solution can be oriented in two directions to cover module frames from 30-46 mm thick.

PVKONCEAL also helps to minimize the intrusion of small animals, debris and unwanted objects under the solar array. Give a clean aesthetic to your array to create a more appealing visual profile.

### FEATURES AND BENEFITS

- Conceals the upper or lower edge of solar modules, and other components
- Accommodates modules 30-46 mm thick
- Lightweight and easy to install
- Works with new or existing PVKIT installations
- Prefinished in black PVDF to last the life of the roof
- Corrosion-free aluminum and stainless steel screws with black prefinished caps

**The right way to attach almost anything to metal roofs!**

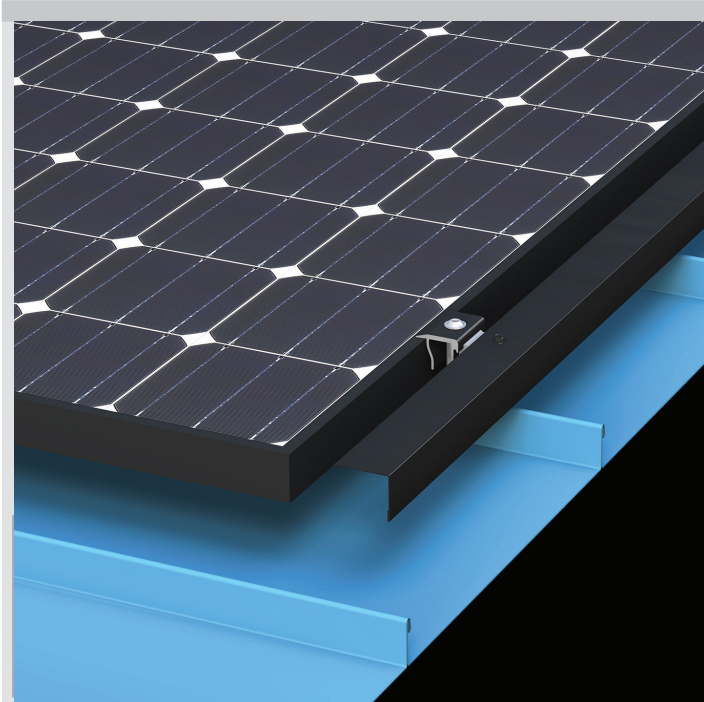
PVKONCEAL™



800-284-1412 | [www.lmcurbs.com](http://www.lmcurbs.com)

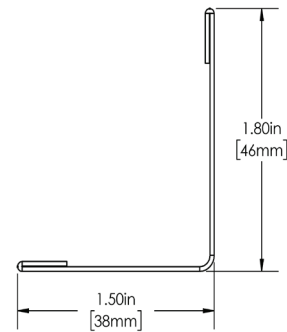
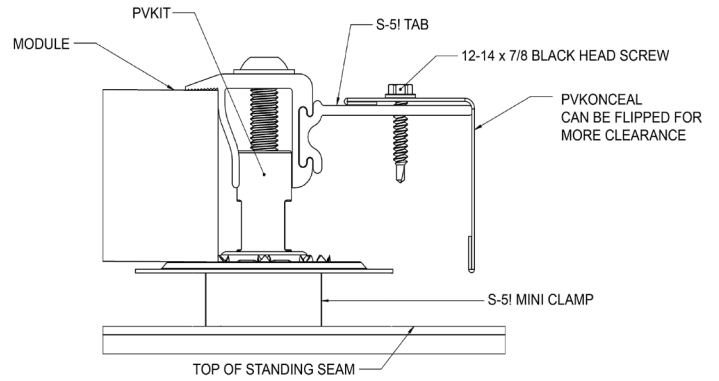


Installation is a snap. The streamlined, attractive design attaches easily to the PVKIT EdgeGrabs with a single component—for new or existing installations.



The **PVKONCEAL** is supplied with 300 series stainless steel screws with black prefinished caps.

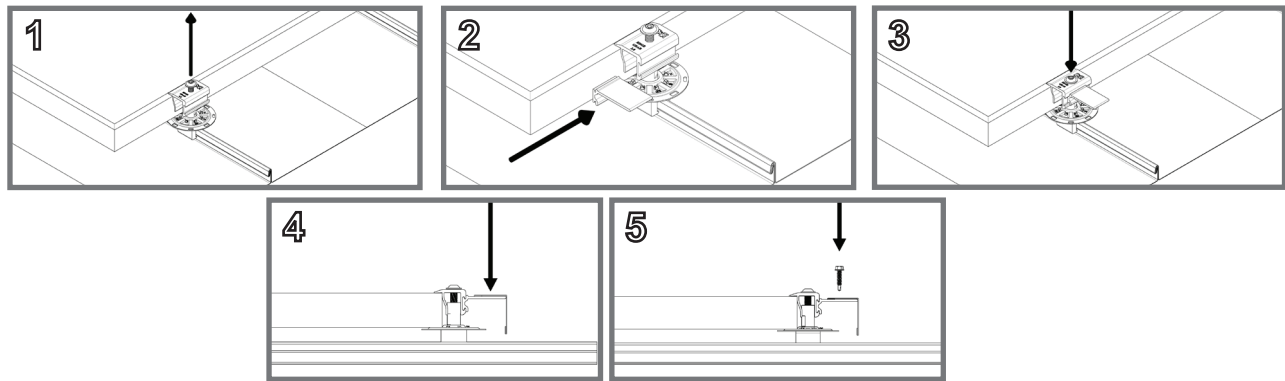
## PVKONCEAL™



[Side View]

## Installation Simplified

Begin by peeling off the protective plastic film from the aluminum PVKONCEAL module skirt. With the PVKIT EdgeGrabs loose, insert the S-5! tabs into the EdgeGrabs' slots. Use the PVKIT's Bit Tip to tighten down the EdgeGrabs and lock the tabs in place. Set the PVKONCEAL skirt on top of the S-5! tabs. Using the provided screws with black-prefinished caps, secure the top of the skirt into the tabs. To accommodate the length of the array at the seams, slightly overlap the adjacent module skirt.



### S-5!® Warning! Please use this product responsibly!

Products are protected by multiple U.S. and foreign patents. Visit our website for complete information on patents and trademarks. For maximum holding strength, setscrews should be tensioned and re-tensioned as the seam material compresses. Clamp setscrew tension should be verified using a calibrated torque wrench between 160- and 180-inch pounds when used on 22ga steel, and between 130- and 150-inch pounds for all other metals and thinner gauges of steel. Consult [www.S-5.com](http://www.S-5.com) for published data regarding holding strength.

Copyright 2021 Metal Roof Innovations, Ltd. S-5! products are patent protected. S-5! aggressively protects its patents, trademarks, and copyrights. Version 111721.

Distributed by



827 Fisher Rd.  
Longview, TX 75604

903.759.3598 fax