

# S-5!<sup>®</sup>

The Right Way!<sup>®</sup>

The concept of combining photovoltaic arrays with standing seam metal roofing is growing—and for good reasons. A standing seam metal roof has a life expectancy consistent with that of framed PV modules—a 30-year power source on a 40-year roof, along with zero-penetration technology, creates the most sustainable roof system available with alternative power generation, all without compromising the roof manufacturer's warranty! PVKIT<sup>®</sup> 2.0 is also a great solution for attaching PV modules directly to many exposed fastener roofs when paired with S-5! brackets.

S-5! has introduced a new and improved PVKIT, boasting an improved installation experience for PV mounting technology. The kit comes preassembled with either the MidGrab or EdgeGrab for easier and more efficient installation. The kits were designed with thread lock on the standoff bolt so that the grab will seat to the PV Module frame by using one tool to drive the top bolt, eliminating a step required in the previous PVKIT. The PVKIT 2.0 features bonding teeth, which are more aggressive to secure a better ground path. No lugs or wire required except to connect one string of modules to another and to ground the system.

The S-5 PVKIT 2.0 is built to save you time and money —  
*The Right Way<sup>®</sup>* to install solar to your metal roof.

## PVKIT 2.0 Features:

Pre-assembled kit saves time and money

Only *one tool* needed for installation

Bolt head uses standard hex bit tip which is provided

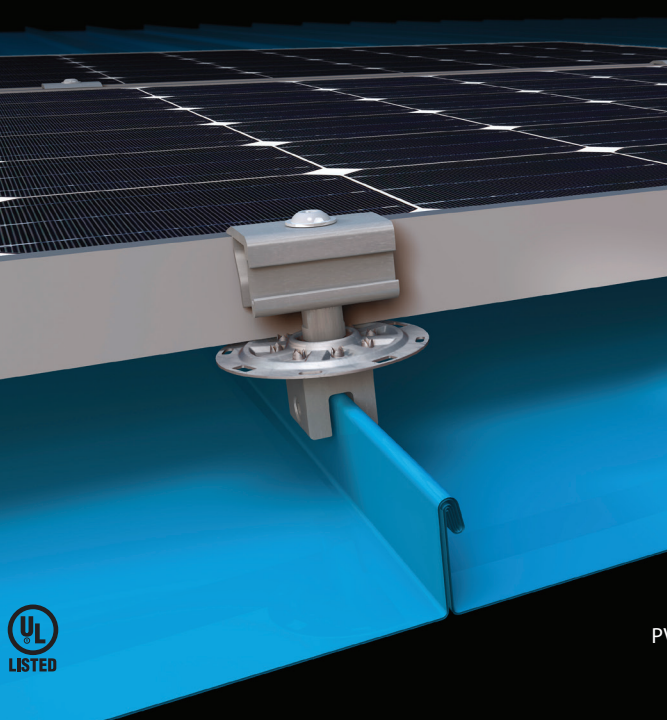
Improved single piece EdgeGrab installs with ease

Low profile bolt head provides a sleek and clean finish

Also available in black by special order only

MidGrab leaves 1" gap between modules, allowing reduction per ASCE7

UL 2703 Listed

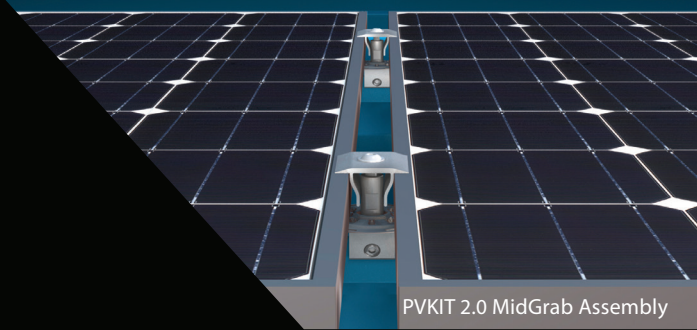


PVKIT 2.0 EdgeGrab Assembly

PVKIT<sup>®</sup> 2.0 MidGrab or EdgeGrab



800-284-1412 | [www.lmcurbs.com](http://www.lmcurbs.com)



PVKIT 2.0 MidGrab Assembly

## PVKIT® 2.0: New Design



The PVKIT 2.0 is furnished with the hardware shown at right, excluding the attachment clamp, which is supplied separately. The PVKIT 2.0 is compatible with most common metal roofing materials, including copper.

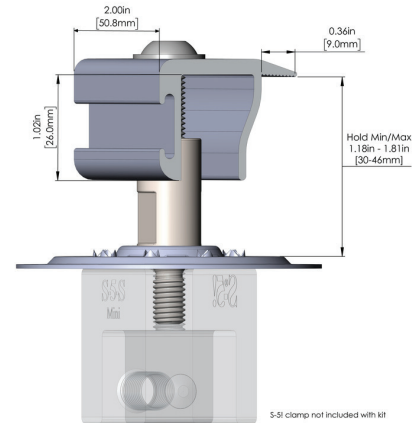
The Module Placement Bevel Guide makes the module placement easier. The mounting disk is multi-directional and rails are not required. The PV grab ears, holding the solar panels in place, are broader to allow for ease of installation and precise module engagement.

Accommodating module thicknesses between 30 and 46mm, the PVKIT 2.0 fits the majority of solar panels on the market. Using the S-5! mini clamps, it fits most standing seam metal roofs. When paired with other S-5! products, the PVKIT 2.0 and EdgeGrab or MidGrab will also work on most exposed fastener including corrugated metal roofs. The MidGrab is designed to fit mid conditions (two adjacent panels), while the new EdgeGrab is designed specifically for end conditions.

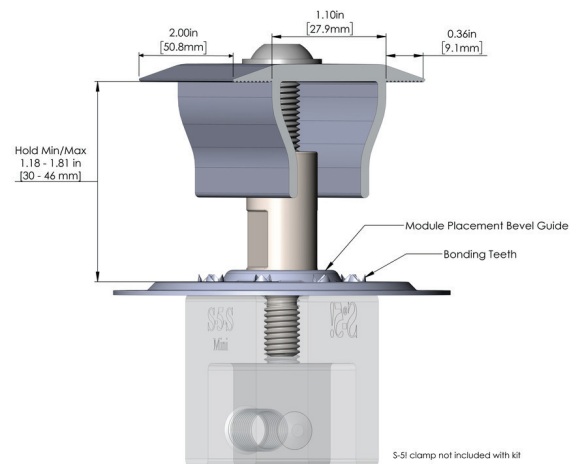
Wind dynamics are complex; thus, each system should be reviewed by a qualified licensed professional who understands wind effects prior to purchase and installation. For more detailed information including specifications, installation instructions, and CAD drawings, visit [www.S-5.com](http://www.S-5.com) or your PVKIT 2.0 distributor.

The PVKIT 2.0 continues to be the easiest, most cost-effective way to install solar panels directly to standing seam and exposed fastener metal roofs, remaining the most popular choice worldwide.

### PVKIT 2.0 EdgeGrab



### PVKIT 2.0 MidGrab



*Certain components featured in illustration may not be UL listed. Due to the variety of attachment needs, S-5-PVKIT 2.0 are sold separately from S-5! clamps.*

### S-5!® Warning! Please use this product responsibly!

The independent lab test data found at [www.S-5.com](http://www.S-5.com) can be used for load-critical designs and applications.

Products are protected by multiple U.S. and foreign patents. For published data regarding holding strength, fastener torque, patents, and trademarks, visit the S-5! website at [www.S-5.com](http://www.S-5.com). Copyright 2021, Metal Roof Innovations, Ltd. S-5! products are patent protected.

Copyright 2021, Metal Roof Innovations, Ltd. Version 081221

### Distributed by:



827 Fisher Rd.  
Longview, TX 75604

903.759.3598 fax